



Disclaimer

This user manual is provided as a free service by FixYourDLP.com. FixYourDLP is in no way responsible for the content of this manual, nor do we guarantee its accuracy. FixYourDLP does not make any claim of copyright and all copyrights remain the property of their respective owners.

About FixYourDLP.com

FixYourDLP.com (<http://www.fixyourdpl.com>) is the World's #1 resource for media product news, reviews, do-it-yourself guides, and manuals.

Informational Blog: <http://www.fixyourdpl.com>

Video Guides: <http://www.fixyourdpl.com/guides>

User Forums: <http://www.fixyourdpl.com/forum>

FixYourDLP's Fight Against Counterfeit Lamps:

<http://www.fixyourdpl.com/counterfeits>

Sponsors:

RecycleYourLamp.org – Free lamp recycling services for used lamps:

<http://www.recycleyourlamp.org>

Lamp Research - The trusted 3rd party lamp research company:

<http://www.lampresearch.com>

Discount-Merchant.com – The worlds largest lamp distributor:

<http://www.discount-merchant.com>



FixYourDLP.com

Sponsored by 

SONY[®]

4-079-300-11 (1)

LCD Data Projector

Operating Instructions _____	GB
Mode d'emploi _____	FR
Manual de instrucciones _____	ES

VPL-CS10
VPL-CX10



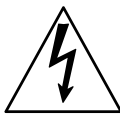
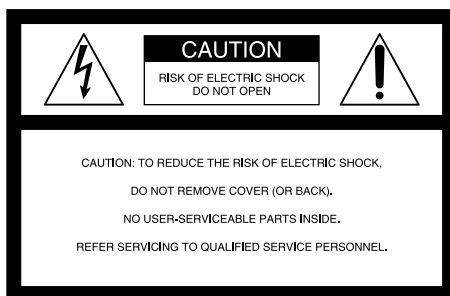
Discount-Merchant.com (800) 281-8860
© 2000 Sony Corporation
THE TRUSTED SOURCE FOR PROJECTOR LAMPS AND ACCESSORIES

VPL-CS10/CX10
4-079-300-11 (1)

WARNING

To prevent fire or shock hazard, do not expose the unit to rain or moisture.

To avoid electrical shock, do not open the cabinet. Refer servicing to qualified personnel only.



This symbol is intended to alert the user to the presence of uninsulated "dangerous voltage" within the product's enclosure that may be of sufficient magnitude to constitute a risk of electric shock to persons.



This symbol is intended to alert the user to the presence of important operating and maintenance (servicing) instructions in the literature accompanying the appliance.

For the customers in the USA

If you have any questions about this product, you may contact:
Sony Electronics Inc.
Attn: Business Information Center (BIC)
12451 Gateway Boulevard
Ft. Myers, Florida 33913
Telephone No.: 800-686-7669

The number below is for FCC related matters only.

Declaration of Conformity

Trade Name: SONY
Model No.: VPL-CS10, VPL-CX10
Responsible Party: Sony Electronics Inc.
Address: 1 Sony Drive, Park Ridge,
NJ.07656 USA
Telephone No.: 201-930-6972

This device complies with Part 15 of the FCC Rules. Operation is subject to the following two conditions: (1) This device may not cause harmful interference, and (2) this device must accept any interference received, including interference that may cause undesired operation.

This equipment has been tested and found to comply with the limits for a Class B digital device, pursuant to Part 15 of the FCC Rules. These limits are designed to provide reasonable protection against harmful interference in a residential installation. This equipment generates, uses, and can radiate radio frequency energy and, if not installed and used in accordance with the instructions, may cause harmful interference to radio communications. However, there is no guarantee that interference will not occur in a particular installation. If this equipment does cause harmful interference to radio or television reception, which can be determined by turning the equipment off and on, the user is encouraged to try to correct the interference by one or more of the following measures:

- Reorient or relocate the receiving antenna.
- Increase the separation between the equipment and receiver.
- Connect the equipment into an outlet on a circuit different from that to which the receiver is connected.
- Consult the dealer or an experienced radio/TV technician for help.

You are cautioned that any changes or modifications not expressly approved in this manual could void your authority to operate this equipment.

For the customers in Canada

This Class B digital apparatus complies with Canadian ICES-003.

For the customers in the United Kingdom

WARNING

THIS APPARATUS MUST BE EARTHED

IMPORTANT

The wires in this mains lead are coloured in accordance with the following code:

Green-and-Yellow: Earth

Blue: Neutral

Brown: Live

As the colours of the wires in the mains lead of this apparatus may not correspond with the coloured markings identifying the terminals in your plug proceed as follows:

The wire which is coloured green-and-yellow must be connected to the terminal in the plug which is marked by the letter E or by the safety earth symbol I or coloured green or green-and-yellow.

The wire which is coloured blue must be connected to the terminal which is marked with the letter N or coloured black. The wire which is coloured brown must be connected to the terminal which is marked with the letter L or coloured red.

Voor de klanten in Nederland



Bij dit product zijn batterijen geleverd. Wanneer deze leeg zijn, moet u ze niet weggooien maar inleveren als KCA.

The socket-outlet should be installed near the equipment and be easily accessible.



Discount-Merchant.com (800) 281-8860
THE TRUSTED SOURCE FOR PROJECTOR LAMPS AND ACCESSORIES

GB 4

VPL-CS10/CX10
4-079-300-11 (1)

Table of Contents

Overview

Precautions	6
Features	7
Location and Function of Controls ...	9
Front/Left Side	9
Rear/Right Side/Bottom	9
Control Panel	11
Connector Panel	12
Remote Commander	13

Setting Up and Projecting

Installing the Projector	15
Connecting the Projector	16
Connecting with a Computer	16
Connecting with a VCR or 15k RGB/Component Equipment	18
Selecting the Menu Language	20
Projecting	22
Effective Tools for Your Presentation	25

Adjustments and Settings Using the Menu

Using the MENU	26
The PICTURE CTRL Menu	27
The INPUT SETTING Menu	28
The SET SETTING Menu	30

Maintenance

Maintenance	31
Replacing the Lamp	31
Cleaning the Air Filter	32
Troubleshooting	33
Warning Messages	35
Caution Messages	35

Other

Installation Example	36
Notes on Installation	38
Unsuitable Installation	38
Unsuitable Conditions	38
Specifications	39
Index	47

GB

► *Overview*

Precautions

On safety

- Check that the operating voltage of your unit is identical with the voltage of your local power supply.
- Should any liquid or solid object fall into the cabinet, unplug the unit and have it checked by qualified personnel before operating it further.
- Unplug the unit from the wall outlet if it is not to be used for several days.
- To disconnect the cord, pull it out by the plug. Never pull the cord itself.
- The wall outlet should be near the unit and easily accessible.
- The unit is not disconnected to the AC power source (mains) as long as it is connected to the wall outlet, even if the unit itself has been turned off.
- Do not look into the lens while the lamp is on.
- Do not place your hand or objects near the ventilation holes. The air coming out is hot.
- Be careful not to catch your fingers by the adjuster when you lift up the projector. Do not push hard on the top of the projector with the adjuster out.
- Install the projector on the floor or ceiling. Any other installation causes a malfunction such as color irregularity or shortened lamp life.
- For ceiling installation, consult with qualified Sony personnel.

On illumination

- To obtain the best picture, the front of the screen should not be exposed to direct lighting or sunlight.
- Ceiling-mounted spot lighting is recommended. Use a cover over fluorescent lamps to avoid lowering the contrast ratio.
- Cover any windows that face the screen with opaque draperies.

It is desirable to install the projector in a room where floor and walls are not of light-reflecting material. If the floor and walls are of reflecting material, it is

recommended that the carpet and wall paper be changed to a dark color.

On preventing internal heat build-up

After you turn off the power with the I / ⏻ key, do not disconnect the unit from the wall outlet while the cooling fan is still running.

Caution

The projector is equipped with ventilation holes (intake) and ventilation holes (exhaust). Do not block or place anything near these holes, or internal heat build-up may occur, causing picture degradation or damage to the projector.

On cleaning

- To keep the cabinet looking new, periodically clean it with a soft cloth. Stubborn stains may be removed with a cloth lightly dampened with a mild detergent solution. Never use strong solvents, such as thinner, benzene, or abrasive cleansers, since these will damage the cabinet.
- Avoid touching the lens. To remove dust on the lens, use a soft dry cloth. Do not use a damp cloth, detergent solution, or thinner.
- Clean the filter at regular intervals.

On repacking

- Save the original shipping carton and packing material; they will come in handy if you ever have to ship your unit. For maximum protection, repack your unit as it was originally packed at the factory.

On LCD projector

- The LCD projector is manufactured using high-precision technology. You may, however, see tiny black points and/or bright points (red, blue, or green) that continuously appear on the LCD projector. This is a normal result of the manufacturing process and does not indicate a malfunction.



Discount-Merchant.com (800) 281-8860

THE TRUSTED SOURCE FOR PROJECTOR LAMPS AND ACCESSORIES

Features

High portability

- **Light weight/small size**

This projector has been miniaturized to approx. 3.3 kg (7 lb 4 oz) in weight and A4-file size. A carrying handle is equipped with the projector, so you can carry it easily with your computer.

Reduced noise

Because the projector uses a new cooling mechanism, noise has been reduced.

High brightness, high picture quality

- **High brightness**

Adopting the new developed optical system and the 132 W UHP lamp allows high brightness (VPL-CS10: light output 1000 ANSI lumen, VPL-CX10: light output 1200 ANSI lumen) and excellent uniformity on the picture.

- **High resolution**

- **VPL-CS10**

Three 0.9-inch, about 480,000 pixel, SVGA panels provide a resolution of 800 × 600 dots for RGB input and 600 horizontal TV lines for video input.

- **VPL-CX10**

Three 0.9-inch, about 790,000 pixel, XGA panels provide a resolution of 1024 × 768 dots for RGB input and 750 horizontal TV lines for video input.

Simple setup

- **Simple setup with external equipment**

This projector is preset for 37 kinds of input signals. You can project images from an external signal source just by connecting the equipment with the supplied cable and pushing the APA key.

- **Compatible with USB (Universal Serial Bus) hub function**

You can connect a USB equipment (e.g., USB mouse) to the projector, and also control the projector by using the application software (CD-ROM) supplied

with the projector from a computer operated with Windows 98, Windows 98 SE or Windows 2000. Using this application software, you can open a file you want to use for your presentation with the supplied Remote Commander.

Easy presentation

- **Multi functional Remote Commander with mouse control functions**

You can operate a computer connected to this projector with the Remote Commander since the unit has a build-in mouse receiver.

- **Digital ZOOM and FUNCTION keys on the Remote Commander**

The Digital ZOOM allows you to enhance your presentation by zooming in on the image. You can allocate a presentation file to the FUNCTION keys by using the application software (CD-ROM) supplied with the projector. Just pressing the FUNCTION key opens the file immediately.

Accepts various input signals

- **Scan converter loaded**

This projector has a build-in scan converter that converts the input signal within 800 × 600 dots (VPL-CS10) or 1024 × 768 dots (VPL-CX10).

- **Compatible input signals**

This projector accepts video signals of composite, S video, and component as well as 15k RGB, VGA, SVGA, XGA, and SXGA signals, which all can be displayed.

- **Compatible with six color systems**

NTSC, PAL, SECAM, NTSC_{4.43}¹⁾, PAL-M, or PAL-N color system can be selected automatically or manually.



Overview



Sponsored by

Discount-Merchant.com (800) 281-8860

THE TRUSTED SOURCE FOR PROJECTOR LAMPS AND ACCESSORIES

Features 7 GB

VPL-CS10/CX10
4-0749-300-11 (1)

-
- Windows is a registered trademark of Microsoft Corporation in the United States and/or other countries.
 - VGA, SVGA, XGA, and SXGA are registered trademarks of the International Business Machines Corporation, U.S.A.
 - Macintosh is a registered trademark of Apple Computer, Inc.
 - IBM PC/AT is a registered trademark of International Business Machines Corporation, U.S.A.
 - VESA is a registered trademark of Video Electronics Standard Association.
 - Display Data Channel is a trademark of Video Electronics Standard Association.
 - PC-98 is a trademark of NEC Corporation.

1)NTSC^{4.43} is the color system used when playing back a video recorded on NTSC on a NTSC^{4.43} system VCR.



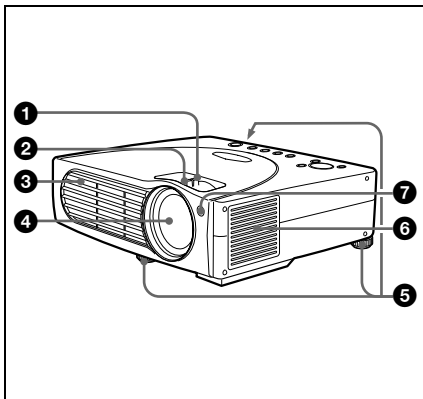
Discount-Merchant.com (800) 281-8860
THE TRUSTED SOURCE FOR PROJECTOR LAMPS AND ACCESSORIES

8 | Features

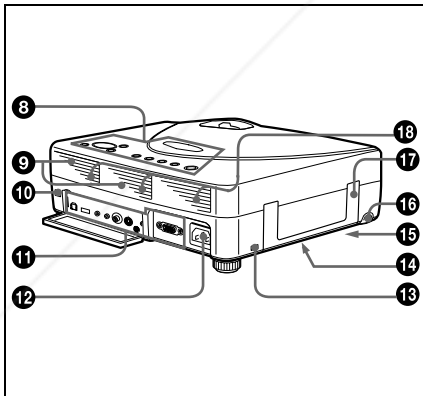
VPL-CS10/CX10
4-0749-300-11 (1)

Location and Function of Controls

Front/Left Side



Rear/Right Side/Bottom



1 Zoom ring

Adjusts the picture size.

2 Focus ring

Adjusts the picture focus.

3 Ventilation holes (exhaust)

4 Lens

5 Adjuster

When a picture is projected on the exterior of the screen, adjust the picture using this adjuster.

For details on how to use the adjusters, see "How to use the adjuster" on page 10.

6 Ventilation holes (intake)/air filter cover

Notes

- Do not place anything near the ventilation holes as it may cause internal heat build-up.
- Do not place your hand or objects near the ventilation holes as it may cause the air coming out heat build-up.
- To maintain optimal performance, **clean the air filter every 300 hours.**

7 Front remote control detector (SIRCS receiver)

8 Control panel

For details, see "Control Panel" on page 11.

9 Speakers

10 Rear remote control detector (SIRCS receiver)

11 Connector panel

For details, see "Connector Panel" on page 12.

12 AC IN socket

Connects the supplied AC power cord.

Overview

13 Security lock

Connects to an optional security cable (Kensington's).

The security lock corresponds to Kensington's MicroSaver Security System.

If you have any comment, contact:
Kensington
2853 Campus Drive
San Mateo, CA 94403
U.S.A.
Tel: 800-535-4242: extension 3348

Home page address:
<http://www.kensington.com/>

14 Ventillation holes (intake, bottom)

15 Lamp cover (bottom)

16 RELEASE (adjuster adjustment) button

For details, see "How to use the adjuster" on page 10.

17 Carrying handle

Pull up the handle from the projector for carrying.

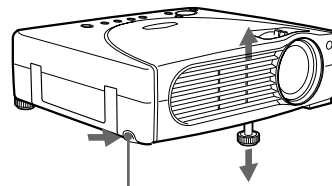
18 Ventilation holes (intake, rear)

How to use the adjuster

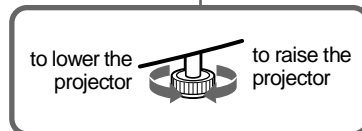
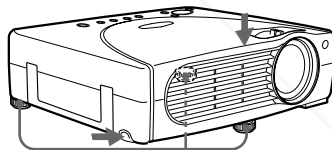
To adjust the height

Adjust the height of the projector as follows:

- 1** Lift the projector and press the **RELEASE** button.
The adjuster will extend from the projector.



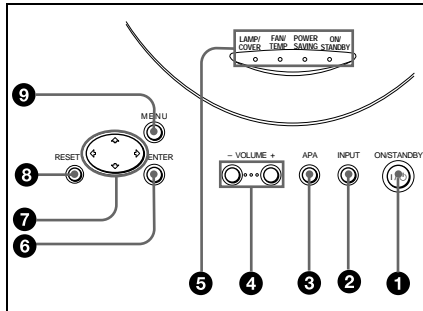
- 2** While pressing the button, lower the projector. Then, release the button.
For fine adjustment, turn the adjusters to the right and the left.



Notes

- Do not remove the adjusters from the projector. Do not use the projector with the adjusters removed.
- Be careful not to let the projector down on your fingers.
- Do not push hard on the top of the projector with the adjusters out.

Control Panel



1 I / ⏻ (ON/STANDBY) key

Turns on and off the projector when the projector is in standby mode. The ON/STANDBY indicator lights in green when the power is turned on. When turning off the power, press the I / ⏻ key twice following the message on the screen, or press and hold the key for about one second.

For details on steps for turning off the power, see "To turn off the power" on page 24.

2 INPUT key

Selects the input signal. Each time you press the key, the input signal switches as follows:



3 APA (Auto Pixel Alignment) key

Adjusts a picture clearest automatically while a signal is input from a computer.

4 VOLUME +/- keys

Adjust the volume of the built-in speakers.

- + : Increases the volume.
- : Decreases the volume.

5 Indicators

- **LAMP/COVER:** Lights up or flashes under the following conditions:
 - Lights up when the lamp has reached the end of its life or becomes a high temperature.
 - Flashes when the lamp cover or air filter cover is not secured firmly.
- **FAN/TEMP (Temperature):** Lights up or flashes under the following conditions:
 - Lights up when temperature inside the projector becomes unusually high.
 - Flashes when the fan is broken.
- **POWER SAVING:** Lights up when the projector is in power saving mode. When POWER SAVING in the SET SETTING menu is set to ON, the projector goes into power saving mode if no signal is input for 10 minutes. Although the lamp goes out, the cooling fan keeps running. In power saving mode, any key does not function for the first 30 seconds. The power saving mode is canceled when a signal is input or any key is pressed.
- **ON/STANDBY:** Lights up or flashes under the following conditions:
 - Lights in red when a AC power cord is plugged into a wall outlet. Once in standby mode, you can turn on the projector with the I / ⏻ key.
 - Lights in green when the power is turned on.
 - Flashes in green while the cooling fan runs after the power is turned off with the I / ⏻ key. The fan runs for about 60 seconds after the power is turned off.

For details on the LAMP/COVER and the FAN/TEMP indicators, see page 35.

6 ENTER key

Enters the settings of items in the menu system.

Overview

7 Arrow keys (↑/↓/←/→)

Select the menu or to make various adjustments.

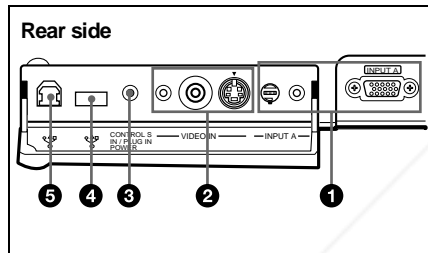
8 RESET key

Resets the value of an item back to its factory preset value. This key functions when the menu or a setting item is displayed on the screen.

9 MENU key

Displays the on-screen menu. Press again to clear the menu.

Connector Panel



1 INPUT A connector

Connect to external equipment such as a computer.

- **INPUT A connector (HD D-sub 15-pin, female):** Connects to the monitor output on a computer using the supplied cable. When inputting a component or 15k RGB signal, use an optional cable.

For details, see "To connect a 15k RGB/Component equipment" on page 19.

- **AUDIO (stereo minijack) connector:** Connects to the audio output of the computer.
- **MOUSE connector (6-pin):** Connects to the PS/2 mouse port on a computer via the supplied mouse cable, to control the mouse function of the connected computer.

2 VIDEO IN connector

Connect to external video equipment such as a VCR.

- **S VIDEO (mini DIN 4-pin):** Connects to the S video output (Y/C video output) of video equipment.
- **VIDEO (phono type):** Connects to the composite video output of video equipment.
- **AUDIO (stereo minijack) connector:** Connects to the audio output of the VCR.

3 CONTROL S IN/PLUG IN POWER (DC 5V output) jack

Connects to the control S out jack of the Sony equipment.

Connects to the CONTROL S OUT jack on the supplied Remote Commander when using it as a wired Remote Commander. In this case, you do not need to install the batteries in the Remote Commander, since the power is supplied from this jack.

4 USB connector (USB A-plug for downstream, 4-pin)

Connect to USB equipment such as a mouse, camera, etc.

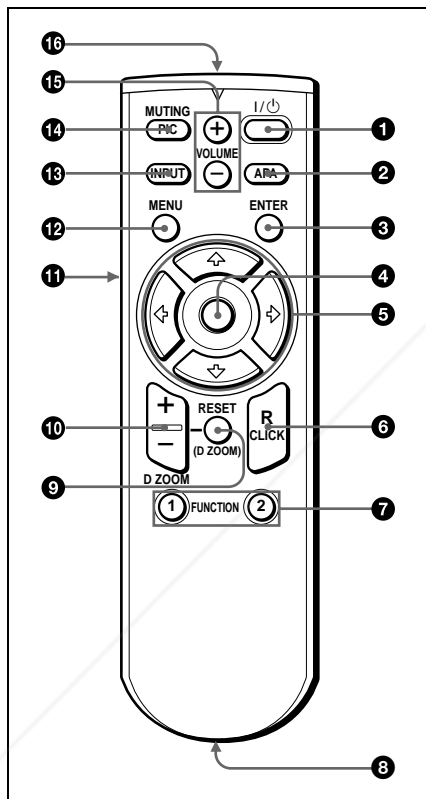
5 USB connector (USB B-plug for upstream, 4-pin)

Connect to the USB connector on a computer. When you connect the projector to the computer, the projector recognizes the mouse of the computer connected to the INPUT A connector and you can control the mouse function with the supplied Remote Commander. The supplied application software can be installed in the computer attached to this connector.

Remote Commander

The keys that have the same names as those on the control panel function identically. You can control a connected computer using the Remote Commander.

For details, see “To control the computer using the supplied Remote Commander” on page 23.



- 1 I / key
- 2 APA (Auto Pixel Alignment) key
- 3 ENTER key
- 4 Joystick
Functions as the mouse of the computer connected to the unit.
- 5 Arrow () keys
- 6 RESET (D ZOOM) key
- 7 R CLICK key
- 8 CONTROL S OUT jack (stereo minijack)
- 9 D ZOOM +/- key
- 10 D ZOOM +/- key
- 11 L CLICK key
- 12 MENU key
- 13 INPUT key
- 14 MUTE key
- 15 VOLUME +/- keys
- 16 Joystick area

6 R CLICK key

Functions as the right button on a mouse.

7 FUNCTION 1, 2 keys

These keys function when the supplied application software is used.

When you connect the projector with a computer, you can open a file on the screen by just pressing the FUNCTION key. This will enhance your presentation. To use this function, allocate a file to the FUNCTION key by using the application software.

For details, see the README file and the HELP file supplied with the application software.

8 CONTROL S OUT jack (stereo minijack)

Connects to the CONTROL S IN jack on the projector with the connecting cable (not supplied) when using the Remote Commander as a wired one. In this case, you do not need to install the batteries as the power is supplied via the CONTROL S IN jack on the projector.

9 RESET (D ZOOM) key

Resets the value of an item back to its factory preset value or returns the enlarged image back to its original size.

10 D ZOOM +/- key

Enlarges the image at a desired location on the screen.

+: Pressing the + key once highlights one of the images divided into 16. Use an arrow key () to move the highlight portion to the point in the image to be enlarged. Press the + key repeatedly until the image is enlarged to your requirements.

-: Pressing the - key reduces an image that has been enlarged with the D ZOOM + key.

11 L CLICK key

Functions as the left button on a mouse.

12 MENU key

13 INPUT key

Overview

14 MUTING PIC key

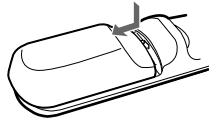
Cut off the picture. Press again to restore the picture.

15 VOLUME +/- keys

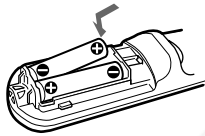
16 Infrared transmitter

To install batteries

- 1** Push and slide to open the lid, then install the two size AA (R6) batteries (supplied) with the correct polarity.



Be sure to install the battery from the ⊖ side.



- 2** Replace the lid.

Notes on batteries

- Make sure that the battery orientation is correct when inserting batteries.
- Do not mix an old battery with a new one or different types of batteries.
- If you do not use the Remote Commander for a long time, remove the batteries to avoid damage from battery leakage. If batteries have leaked, remove them, wipe and dry the battery compartment, and replace the batteries with new ones.

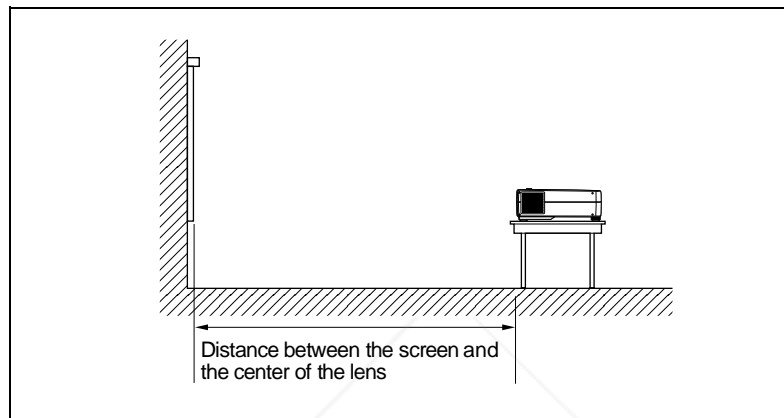
Notes on Remote Commander operation

- Make sure that nothing obstructs the infrared beam between the Remote Commander and the remote control detector on the projector. Direct the Remote Commander toward the front or rear remote control detector.
- The operation range is limited. The shorter the distance between the Remote Commander and the projector is, the wider the angle within which the commander can control the projector becomes.

► *Setting Up and Projecting*

Installing the Projector

This section describes how to install the projector. The distance between the lens and the screen varies depending on the size of the screen. Use the following table as a guide.



Setting Up and Projecting

Unit: m (feet)

Screen size (inches)	40	60	80	100	120	150	200	300
Minimum Distance	1.5 (4.8)	2.2 (7.3)	3.0 (9.8)	3.8 (12.4)	4.5 (14.9)	5.7 (18.6)	7.6 (24.9)	11.4 (37.5)
Maximum Distance	1.8 (5.8)	2.7 (8.8)	3.6 (11.8)	4.5 (14.8)	5.4 (17.8)	6.8 (22.3)	9.1 (29.8)	13.7 (44.9)

For details, see "Installation Example" on page 36.
For details on ceiling installation, consult with qualified Sony personnel (fee charged).

Connecting the Projector

When making connections, be sure to do the following:

- Turn off all equipment before making any connections.
- Use the proper cables for each connection.
- Insert the cable plugs properly; plugs that are not fully inserted often generate noise. When pulling out a cable, be sure to pull it out from the plug, not the cable itself.

Connecting with a Computer

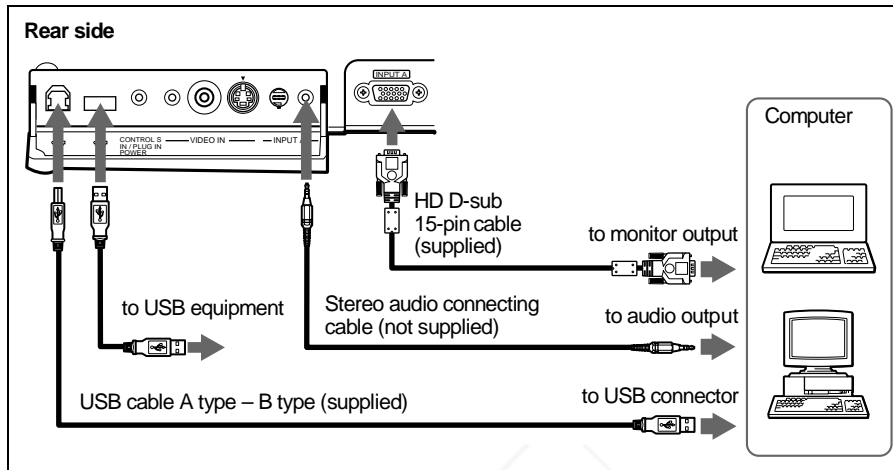
This section describes how to connect the projector to a computer.
For more information, refer to the computer's instruction manual.

Notes

- The projector accepts VGA, SVGA, XGA, and SXGA signals. However, we recommend that you set the output mode of your computer to SVGA (VPL-CS10) or XGA (VPL-CX10) mode for the external monitor.
- If you set your computer, such as a notebook type, to output the signal to both your computer's display and the external monitor, the picture of the external monitor may not appear properly. Set your computer to output the signal to only the external monitor.
For details, refer to the operating instructions supplied with your computer.
- Supplied mouse cable may not work properly according to your computer.
- This projector is compatible with a DDC2B (Digital Data Channel 2B). If your computer is compatible with a DDC, turn the projector on according to the following procedures.
 - 1 Connect the projector to the computer by using the supplied HD D-sub 15 pin cable.
 - 2 Turn the projector on.
 - 3 Start the computer.

To connect an IBM PC/AT compatible computer

When you use a USB mouse and USB equipment



On the USB function

When connecting the projector to a computer by using the USB cable for the first time, the computer recognizes the following devices automatically.

- 1 USB hub (general use)
- 2 USB human interface device (wireless mouse function)
- 3 USB human interface device (projector control function)

The computer also recognizes the device connected to the downstream connector on the projector.

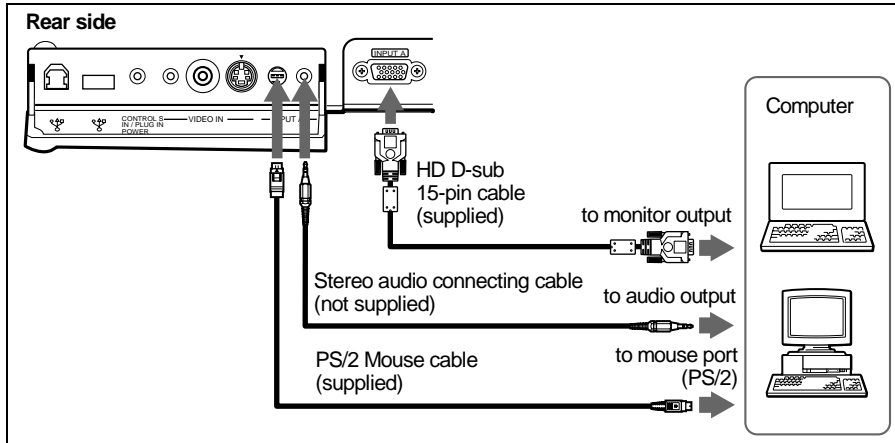
Recommended operating environment

When you use the USB function, connect your computer as illustrated above. This application software and the USB function can be used on a computer loaded with Windows 98, Windows 98 SE or Windows 2000 preinstall models.

Notes

- As the projector recognizes the USB mouse when the computer is connected to the USB connector, do not connect anything to the PS/2 mouse port.
- Your computer may not start correctly when connected to the projector via the USB cable. In this case, disconnect the USB cable, restart the computer, then connect the computer to the projector using the USB cable.
- This projector is not guaranteed for suspend, standby mode. When you use the projector in suspend, standby mode, disconnect the projector from the USB port on the computer.
- Operations are not guaranteed for all the recommended computer environments.

When you use a PS/2 mouse port



To connect a Macintosh computer

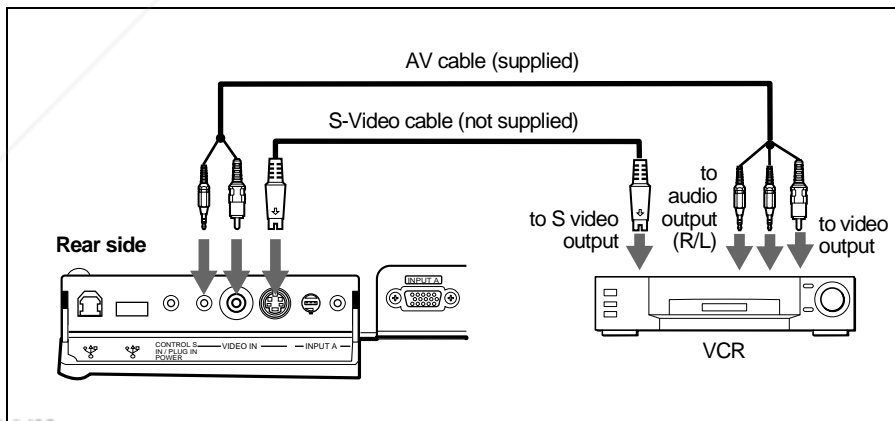
Use an ADP-20 signal adapter (not supplied). In this case, however, you can not control the mouse of the computer by the Remote Commander.

Connecting with a VCR or 15k RGB/Component Equipment

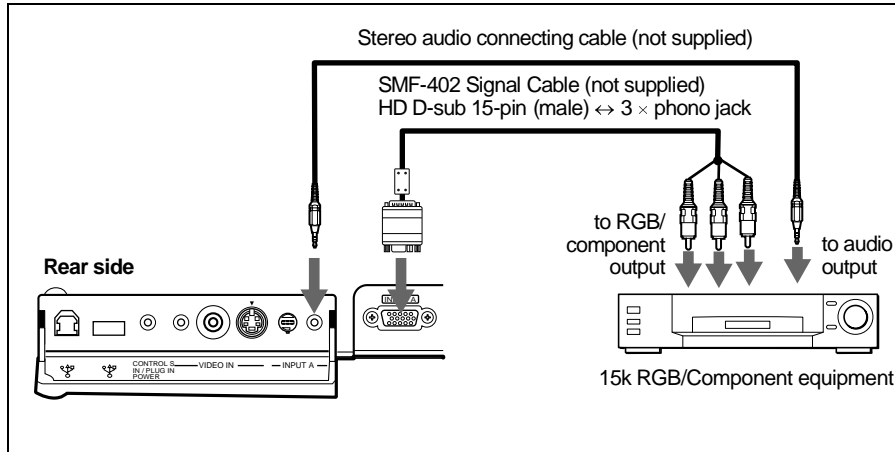
This section describes how to connect the projector to a VCR and 15k RGB/component equipment.

For more information, refer to the instruction manuals of the equipment you are connecting.

To connect a VCR



To connect a 15k RGB/Component equipment



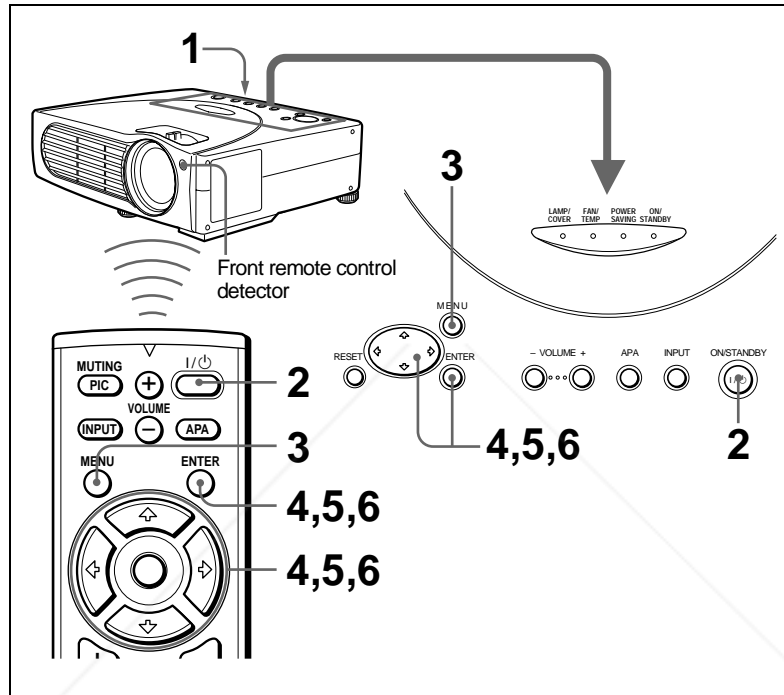
Setting Up and Projecting

Notes

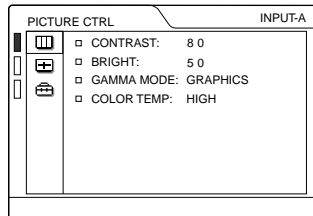
- Set the aspect ratio using ASPECT in the INPUT SETTING menu according to the input signal.
- When you connect the unit to 15k RGB/component video equipment, select RGB or component with the INPUT-A setting in the SET SETTING menu.
- Use the composite sync signal when you input the external sync signal from 15k RGB/component equipment.

Selecting the Menu Language

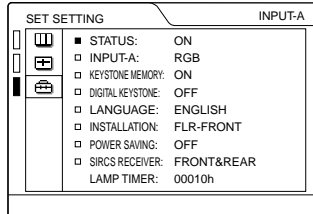
You can select one of seven languages for displaying the menu and other on-screen displays. The factory setting is English.



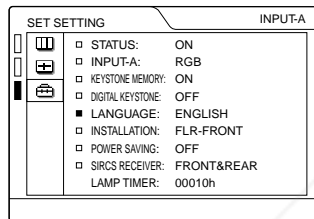
- 1 Plug the AC power cord on the rear side on the projector into a wall outlet.
- 2 Press the I / ⏻ key to turn on the projector.
- 3 Press the MENU key.
The menu appears.
The menu presently selected is shown as a yellow button.



- 4 Press the **↑** or **↓** key to select the SET SETTING menu, then press the **→** or ENTER key.
The selected menu appears.



- 5 Press the **↑** or **↓** key to select "LANGUAGE," then press the **→** or ENTER key.



- 6 Press the **↑** or **↓** key to select a language, then press the **←** or ENTER key.
The menu changes to the selected language.

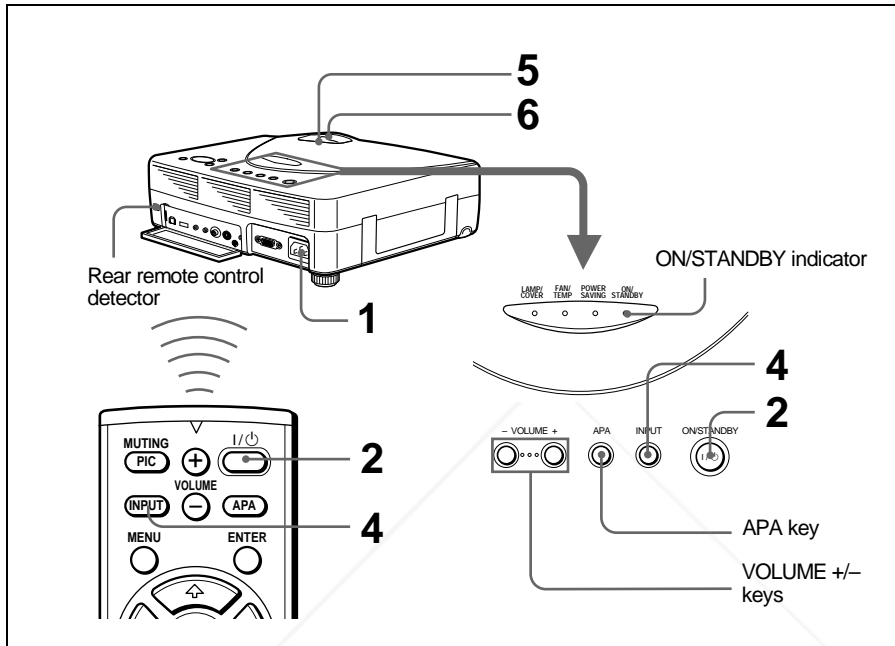
To clear the menu

Press the MENU key.
The menu disappears automatically if a key is not pressed for one minute.



Setting Up and Projecting

Projecting



- 1** Plug the AC power cord on the rear side on the projector into a wall outlet, then connect all equipment.
The ON/STANDBY indicator lights in red and the projector goes into standby mode.
- 2** Press the I / $\text{\textcircled{P}}$ key.
The ON/STANDBY indicator lights in green.
- 3** Turn on the equipment connected to the projector.
- 4** Press the INPUT key to select the input source.

To input from	Press INPUT to display
Computer connected to the INPUT A connector	INPUT A
Video equipment connected to the VIDEO input connector	VIDEO
Video equipment connected to the S VIDEO input connector	S VIDEO

- 5 Turn the zoom ring to adjust the size of the picture.
- 6 Turn the focus ring to adjust the focus.

Caution

Looking into the lens when projecting may cause injury to your eyes.

To adjust the volume

Press VOLUME +/- keys. The volume can be adjusted for each of INPUT A, VIDEO and S VIDEO input.

To cutoff the picture

Press the MUTING PIC key on the Remote Commander.
To restore the picture, press the MUTING PIC key again.

To control the computer using the supplied Remote Commander

When you connect an IBM PC/AT compatible to the projector, you can control the mouse of the computer using the Remote Commander.
The R/L CLICK keys and joystick function as follows.

Key and joystick	Function
R CLICK (front)	Right button
L CLICK (rear)	Left button
Joystick	Corresponds with the movements of the mouse

Note

Make sure that nothing obstructs the infrared beam between the Remote Commander and the remote control detector on the projector.

To get the clearest picture

You can adjust picture quality when projecting a signal from the computer.

- 1 Project a still picture from the computer.
- 2 Press the APA key.
"Complete!" appears on the screen when the picture is adjusted properly.

Notes

- Press the APA key when the full image is displayed on the screen. If there are black edges around the image, the APA function will not function properly and the image may extend beyond the screen.
- When you switch the input signal or re-connect a computer, press the APA key again to adjust the picture again.
- You can cancel the adjustment by pressing the APA key again while "ADJUSTING" appears on the screen.
- The picture may not be adjusted properly depending on the kinds of input signals.
- Adjust the items in the INPUT SETTING menu when you adjust the picture manually.



Setting Up and Projecting



Discount-Merchant.com (800) 281-8860
THE TRUSTED SOURCE FOR PROJECTOR LAMPS AND ACCESSORIES

To turn off the power

- 1 Press the I / ⏻ key.
“POWER OFF? Please press I / ⏻ key again.” appears to confirm that you want to turn off the power.

Note

A message disappears if you press any key except the I / ⏻ key, or if you do not press any key for five seconds.

- 2 Press the I / ⏻ key again.
The ON/STANDBY indicator flashes in green and the fan continues to run for about 60 seconds to reduce the internal heat. Also, the ON/STANDBY indicator flashes quickly for the first 30 seconds. During this time, you will not be able to light up the ON/STANDBY indicator with the I / ⏻ key.
- 3 Unplug the AC power cord from the wall outlet after the fan stops running and the ON/STANDBY indicator lights in red.

When you cannot confirm the on-screen message

When you cannot confirm the on-screen message in a certain condition, you can turn off the power by holding the I / ⏻ key for about one second.

Note

Do not unplug the AC power cord while the fan is still running; otherwise, the fan will stop even though the internal heat is still high, which could result in a breakdown of the projector.

On air filter

To maintain optimal performance, **clean the air filter every 300 hours.**

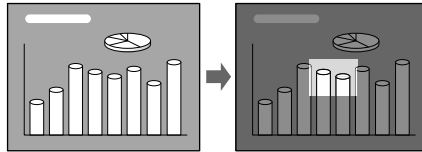
Effective Tools for Your Presentation

To enlarge the image (Digital Zoom function)

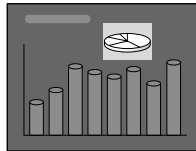
You can select a point in the image to enlarge.

- 1 Project the original size picture and press the D ZOOM + key on the Remote Commander.

One of images divided into 16 is highlighted at the center of the image.

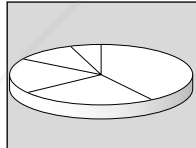


- 2 Move the highlight portion to the point you want to enlarge by pressing the arrow keys (↑/↓/←/→).

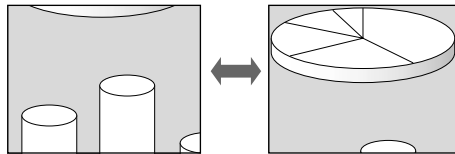


- 3 Press the D ZOOM + key again.

The highlight portion displayed in step 2 is enlarged. By pressing the + key repeatedly, the image size increases. (ratio of enlargement: max. 4 times)



Use the arrow keys (↑/↓/←/→) to scroll the enlarged image.



To return the image back to its original size

Press the D ZOOM – key on the Remote Commander. Just pressing the RESET (ZOOM) key returns the image back to its original size immediately.

Setting Up and Projecting

► *Adjustments and Settings Using the Menu*

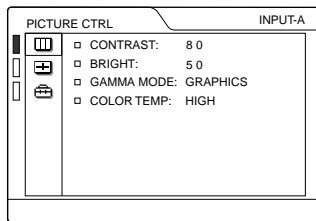
Using the MENU

The projector is equipped with an on-screen menu for making various adjustments and settings. You can change the menu language displayed in the on-screen menu.

To change the menu language, see “Selecting the Menu Language” on page 20.

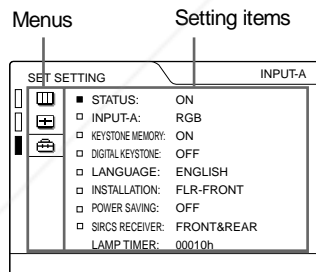
1 Press the MENU key.

The menu appears.
The menu presently selected is shown as a yellow button.



2 Use the **↑** or **↓** key to select a menu, then press the **→** or ENTER key.

The selected menu appears.



3 Select an item.
Use the **↑** or **↓** key to select the item, then press the **→** or ENTER key.

4 Make the setting or adjustment on an item.

- When changing the adjustment level:
To increase the number, press the **↑** or **→** key.
To decrease the number, press the **↓** or **←** key.
Press the ENTER key to restore the original screen.
- When changing the setting:
Press the **↑** or **↓** key to change the setting.
Press the ENTER or **←** key to restore the original screen.

To clear the menu

Press the MENU key.
The menu disappears automatically if a key is not pressed for one minute.

To reset items that have been adjusted

Press the RESET key.
“Complete!” appears on the screen and the settings appearing on the screen are reset to their factory preset values.

Items that can be reset are:

- “CONTRAST,” “BRIGHT,” “COLOR,” “HUE,” and “SHARP” in the PICTURE CTRL menu
- “DOT PHASE,” “SIZE,” and “SHIFT” in the INPUT SETTING menu
- “DIGITAL KEYSTONE” in the SET SETTING menu

About the memory of the settings

The settings are automatically stored in the projector memory.

If no signal is input

If there is no input signal, “NO INPUT—Cannot adjust this item.” appears on the screen.

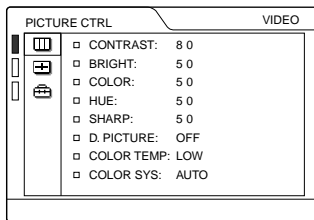
The PICTURE CTRL Menu

The PICTURE CTRL (control) menu is used for adjusting the picture.

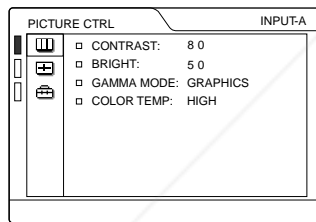
Items that cannot be adjusted depending on the input signal are not displayed in the menu.

For details on the unadjustable items, see page 42.

When the video signal is input



When the RGB signal is input



Menu Items

CONTRAST

Adjusts the picture contrast. The higher the setting, the greater the contrast. The lower the setting, the lower the contrast.

BRIGHT

Adjusts the picture brightness. The higher the setting, the brighter the picture. The lower the setting, the darker the picture.

COLOR

Adjusts color intensity. The higher the setting, the greater the intensity. The lower the setting, the lower the intensity.

HUE

Adjusts color tones. The higher the setting, the picture becomes greenish. The lower the setting, the picture becomes purplish.

SHARP

Adjusts the picture sharpness. The higher the setting, the sharper the picture. The lower the setting, the softer the picture.

D. (Dynamic) PICTURE

Emphasizes the black color.

ON: Emphasizes the black color to produce a bolder “dynamic” picture.

OFF: Reproduces the dark portions of the picture accurately, in accordance with the source signal.

GAMMA MODE

Selects a gamma correction curve.

GRAPHICS: Improves the reproduction of halftones. Photos can be reproduced in natural tones.

TEXT: Contrasts black and white. Suitable for images that contain lots of text.

COLOR TEMP

Adjusts the color temperature.

HIGH: Makes the white color bluish.

LOW: Makes the white color reddish.

COLOR SYS (System)

Selects the color system of the input signal.

- **AUTO:** NTSC_{3.58}, PAL, SECAM and NTSC_{4.43} (switched automatically)
- **PAL-M/N:** PAL-M/PAL-N and NTSC_{3.58} (switched automatically)

Normally, set to AUTO. If the picture is distorted or colorless, select the color system according to the input signal.



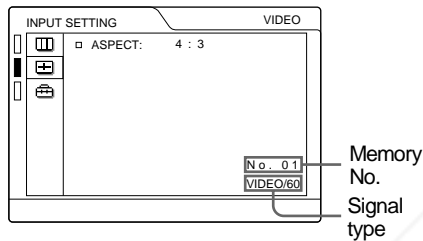
Adjustments and Settings Using the Menu

The INPUT SETTING Menu

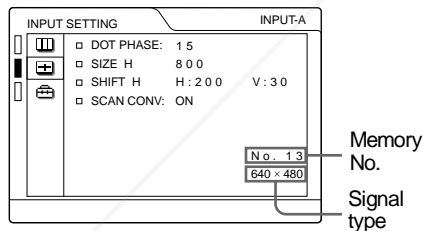
The INPUT SETTING menu is used to adjust the input signal. Items that cannot be adjusted depending on the input signal are not displayed in the menu.

For details on the unadjustable items, see page 42.

When the video signal is input



When the RGB signal is input



MENU Items

DOT PHASE

Adjusts the dot phase of the LCD panel and the signal input from the INPUT A connector.

Adjust the picture further for finer picture after the picture is adjusted by pressing the APA key.

Adjust the picture to where it looks clearest.

SIZE

Adjusts the horizontal size of picture input from the INPUT A connector. The higher the setting, the larger the horizontal size of the picture. The lower the setting, the smaller the horizontal size of the picture. Adjust the setting according to the dots of the input signal.

For details on the suitable value for the preset signals, see page 43.

SHIFT

Adjusts the position of the picture input from the INPUT A connector. H adjusts the horizontal position of the picture. V adjusts the vertical position of the picture. As the setting for H increases, the picture moves to the right, and as the setting decreases, the picture moves to the left.

As the setting for V increases, the picture moves up, and as the setting decreases, the picture moves down. Use the ← or the → key to adjust the horizontal position and the ↑ and ↓ key for the vertical position.

SCAN CONV (Scan converter)

Converts the signal to display the picture according to the screen size.

ON: Displays the picture according to the screen size. The picture will lose some clarity.

OFF: Displays the picture while matching one pixel of input picture element to that of the LCD. The picture will be clear but the picture size will be smaller.

Note

This item will not be displayed in the following case.

VPL-CS10: When SVGA, XGA or SXGA signal is input.

VPL-CX10: When XGA or SXGA signal is input.

ASPECT

Sets the aspect ratio of the picture. When inputting 16:9 (squeezed) signal from equipment such as a DVD player, set to 16:9.

4:3: When the picture with ratio 4:3 is input.

16:9: When the picture with ratio 16:9 (squeezed) is input.

About the Preset Memory No.

This projector has 37 types of preset data for input signals for INPUT-A (the preset memory). When a preset signal is input, the projector automatically detects the signal type and recalls the data for the signal from the preset memory to adjust it to an optimum picture. The memory number and signal type of that signal are displayed in the INPUT SETTING menu. You can also adjust the preset data through the INPUT SETTING menu.

This projector has 20 types of user memories for INPUT-A into which you can save the setting of the adjusted data for an unpreset input signal.

When an unpreset signal is input for the first time, a memory number is displayed as 00. When you adjust the data of the signal in the INPUT SETTING menu, it will be registered to the projector. If more than 20 user memories are registered, the newest memory always overwrites the oldest one.

See the chat on page 43 to find if the signal is registered to the preset memory.

Since the data is recalled from the preset memory about the following signals, you can use these preset data by adjusting SIZE. Make fine adjustment by adjusting SHIFT.

Signal	Memory No.	SIZE
Super Mac-2	23	1312
SGL-1	23	1320
Macintosh 19"	25	1328
Macintosh 21"	28	1456
Sony News	36	1708
PC-9821 1280 × 1024	36	1600
WS Sunmicro	37	1664

Note

When the aspect ratio of input signal is other than 4:3, a part of the screen is displayed in black.



Adjustments and Settings Using the Menu



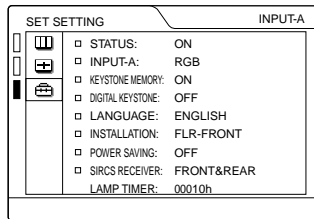
Discount-Merchant.com (800) 281-8860

THE TRUSTED SOURCE FOR PROJECTOR LAMPS AND ACCESSORIES

The INPUT SETTING Menu | 29^{GB}

The SET SETTING Menu

The SET SETTING menu is used for changing the settings of the projector.



Menu Items

STATUS (on-screen display)

Sets up the on-screen display.

ON: Shows all of the on-screen displays.

OFF: Turns off the on-screen displays except for the menus, a message when turning off the power, and warning messages.

INPUT-A

Selects the RGB or component signal input from the INPUT A connector.

Note


If the setting is not correct, "Please check INPUT-A setting." appears on the screen and the color of the picture becomes strange or the picture is not displayed.


KEYSTONE MEMORY

Memorizes the data adjusted with DIGITAL KEYSTONE.

DIGITAL KEYSTONE

Adjusts trapezoidal distortion of the picture that may occur depending on the projection

When the downside of the trapezoid is longer than the upside  : Sets to a minus value.

When the upside of the trapezoid is longer than the downside  : Sets to a plus value.

LANGUAGE

Selects the language used in the menu and on-screen displays. Available languages are: English, French, German, Italian, Spanish, Japanese and Chinese.

INSTALLATION

Sets to reverse the picture horizontally or vertically.

FLR-FRONT: The picture is not reversed.

CEIL.-FRT: The picture is reversed horizontally and vertically.

FLOOR-REAR: The picture is reversed horizontally.

CEIL.-REAR: The picture is reversed vertically.

Note

In case of using a mirror, be careful of installation since the picture may be reversed.

POWER SAVING

When set to ON, the projector goes into power saving mode if no signal is input for 10 minutes.

SIRCS RECEIVER

Selects the remote control detectors (SIRCS receiver) on the front and rear of the projector.

FRONT & REAR: Activates both the front and rear detectors.

FRONT: Activates the front detector only.

REAR: Activates the rear detector only.

LAMP TIMER

Indicates the total number of hours for which the lamp currently used has been operated.

► Maintenance

Maintenance

Replacing the Lamp

When it is time to replace the lamp, replace the lamp promptly with a new LMP-C132 Projector Lamp.

When replacing the lamp after using the projector

Turn off the projector, then unplug the power cord.
Wait for at least an hour for the lamp to cool.

Caution

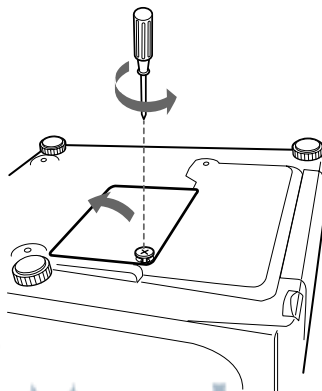
The lamp becomes a high temperature after turning off the projector with the I / ⏻ key. If you touch the lamp, you may scald your finger. When you replace the lamp, wait for at least an hour for the lamp to cool.

- 1 Place a protective sheet (cloth) beneath the projector. Turn the projector over so you can see its underside.

Note

Be sure that the projector is stable after turning it over.

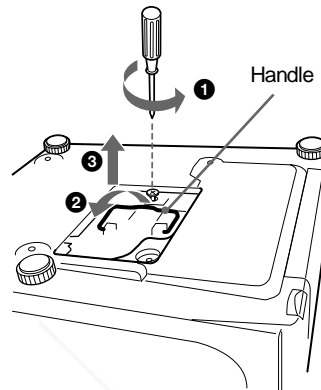
- 2 Open the lamp cover by loosening a screw with the Phillips screwdriver (supplied with the LMP-C132 Projector Lamp).



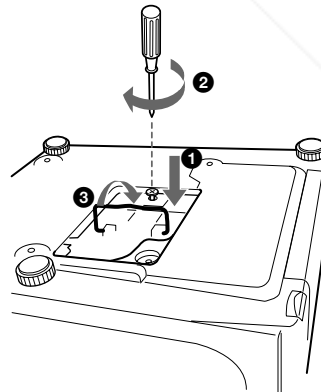
Note

For safety sake, do not loosen any other screws.

- 3 Loosen the screw on the lamp unit with the Phillips screwdriver. Pull out the lamp unit by the handle.



- 4 Insert the new lamp all the way in until it is securely in place. Tighten the screw. Fold up the handle.



Notes

- Be careful not to touch the glass surface of the lamp.
- The power will not turn on if the lamp is not secured properly.

- 5 Close the lamp cover and tighten the screws.

Maintenance

- 6 Turn the projector back over.
- 7 Connect the power cord and turn the projector to standby mode.
- 8 Press the following keys on the control panel in the following order for less than five seconds each: RESET, ←, →, ENTER.

Notes

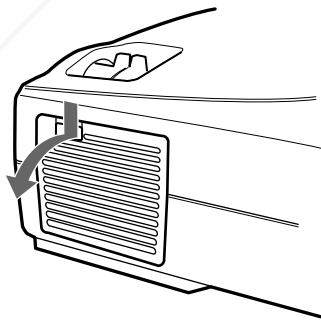
- Be sure to use the LMP-C132 Projector Lamp for replacement. If you use lamps other than LMP-C132, the projector may cause a malfunction.
- Be sure to turn off the projector and unplug the power cord before replacing the lamp.
- Do not put your hands into the lamp replacement spot, or not fall any liquid or object into it to avoid electrical shock or fire.

Cleaning the Air Filter

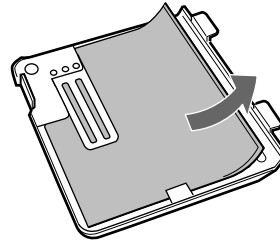
The air filter should be cleaned every 300 hours. When it becomes difficult to remove the dust from the filter, replace the filter with a new one.

To clean the air filter, follow the steps below:

- 1 Turn off the power and unplug the power cord.
- 2 Turn the projector over.



- 3 Remove the air filter cover.



- 4 Remove the dust from the filter with a vacuum cleaner.

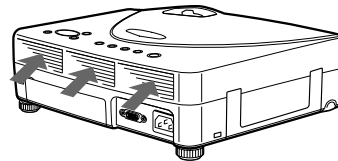
- 5 Attach the air filter and replace the cover.

Notes

- If the air filter is excessively dirty, wash it with mild detergent solution and dry it in a shaded place. If the dust cannot be removed, replace the air filter with the supplied new one.
- Be sure to attach the air filter cover firmly; the power will not be turned on if it is not closed securely.
- The air filter has a face and a reverse side. Place the air filter so that it fits in a notch on the air filter cover.

To clean the ventilation holes

When you clean the air filter, clean the ventilation holes (intake, rear) also. Remove the dust from the outside of the ventilation holes with a vacuum cleaner.



Troubleshooting

If the projector appears to be operating erratically, try to diagnose and correct the problem using the following instructions. If the problem persists, consult with qualified Sony personnel.

Power

Symptom	Cause and Remedy
The power is not turned on.	<ul style="list-style-type: none"> The power has been turned off and on with the I / ⏻ key at a short interval. <ul style="list-style-type: none"> → Wait for about 60 seconds before turning on the power (see page 24). The lamp cover is detached. <ul style="list-style-type: none"> → Close the lamp cover securely (see page 31). The air filter cover is detached. <ul style="list-style-type: none"> → Close the air filter cover securely (see page 32).
Both the LAMP/COVER and FAN/TEMP indicators light up.	<ul style="list-style-type: none"> The electrical system breaks down. <ul style="list-style-type: none"> → Consult with qualified Sony personnel.

Picture

Symptom	Cause and Remedy
No picture.	<ul style="list-style-type: none"> Cable is disconnected or the connections are wrong. <ul style="list-style-type: none"> → Check that the proper connections have been made (see page 16). The picture is cut off. <ul style="list-style-type: none"> → Press the MUTING PIC key to release the muting function (see page 23). Input selection is incorrect. <ul style="list-style-type: none"> → Select the input source correctly using the INPUT key (see page 22). The computer signal is not set to output to an external monitor. <ul style="list-style-type: none"> → Set the computer signal to output to an external monitor (see page 16). The computer signal is set to output to both the LCD of the computer and external monitor. <ul style="list-style-type: none"> → Set the computer signal to output only to the external monitor (see page 16).
The picture is noisy.	<ul style="list-style-type: none"> Noise may appear on the background depending on the combination of the numbers of dot input from the connector and numbers of pixel on the LCD panel. <ul style="list-style-type: none"> → Change the desktop pattern on the connected computer.
The picture from INPUT A connector is colored strange.	<ul style="list-style-type: none"> Setting for INPUT-A in the SET SETTING menu is incorrect. <ul style="list-style-type: none"> → Select RGB or COMPONENT for INPUT-A in the SET SETTING menu according to the input signal (see page 30).
“Please check INPUT-A setting.” appears in spite of inputting the correct signal from INPUT A.	<ul style="list-style-type: none"> Setting for INPUT-A in the SET SETTING menu is incorrect. <ul style="list-style-type: none"> → Select RGB or COMPONENT for INPUT-A in the SET SETTING menu according to the input signal (see page 30).

Maintenance



Symptom	Cause and Remedy
On-screen display does not appear.	<ul style="list-style-type: none"> • STATUS in the SET SETTING menu has been set to OFF. → Set STATUS in the SET SETTING menu to ON (see page 30).
Color balance is incorrect.	<ul style="list-style-type: none"> • Picture has not been adjusted properly. → Adjust the picture (see page 27). • Projector is set to wrong color system. → Set COLOR SYS in the PICTURE CTRL menu to match the color system being input (see page 27).
The picture is too dark.	<ul style="list-style-type: none"> • Contrast or brightness has not been adjusted properly. → Adjust the contrast or brightness in the PICTURE CTRL menu properly (see page 27).
The picture is not clear.	<ul style="list-style-type: none"> • Picture is out of focus. → Adjust the focus (see page 23). • Condensation has occurred on the lens. → Leave the projector for about two hours with the power on.
The picture appears too small on the screen.	<ul style="list-style-type: none"> • SHIFT in the INPUT SETTING menu has not been adjusted properly. → Adjust SHIFT in the INPUT SETTING menu properly (see page 28).
The picture flickers.	<ul style="list-style-type: none"> • DOT PHASE in the INPUT SETTING menu has not been adjusted properly. → Adjust DOT PHASE in the INPUT SETTING menu properly (see page 28).

Sound

Symptom	Cause and Remedy
No sound.	<ul style="list-style-type: none"> • Cable is disconnected or the connections are wrong. → Check that the proper connections have been made (see page 16).
When sound is input through AUDIO connector, sound comes through one channel only.	<ul style="list-style-type: none"> • Monaural sound is being input through the AUDIO connector. → Input stereo sound.

Remote Commander

Symptom	Cause and Remedy
The Remote Commander does not work.	<ul style="list-style-type: none"> • The Remote Commander batteries are dead. → Replace with new batteries (see page 14). • The front/rear remote control detector is near the fluorescent lamp. → Change the setting of SIRCS RECEIVER in the SET SETTING menu (see page 30).
The joystick, R CLICK, or L CLICK key does not function.	<ul style="list-style-type: none"> • The mouse port on the computer does not recognize the mouse cable. → Restart the computer.

Others

Symptom	Cause and Remedy
The LAMP/COVER indicator flashes.	<ul style="list-style-type: none"> The lamp cover or the air filter cover is detached. → Attach the cover securely (see page 31).
The LAMP/COVER indicator lights up.	<ul style="list-style-type: none"> The lamp has reached the end of its life. → Replace the lamp (see page 31). The lamp becomes a high temperature. → Wait for 60 seconds to cool down the lamp and turn on the power again (see page 24).
The FAN/TEMP indicator flashes.	<ul style="list-style-type: none"> The fan is broken. → Consult with qualified Sony personnel.
The FAN/TEMP indicator lights up.	<ul style="list-style-type: none"> The internal temperature is unusually high. → Check to see if nothing is blocking the ventilation holes.
Both the LAMP/COVER and FAN/TEMP indicators light up.	<ul style="list-style-type: none"> The electrical system breaks down. → Consult with qualified Sony personnel.

Warning Messages

Use the list below to check the meaning of the messages displayed on the screen.

Message	Meaning and Remedy
High temp.! Lamp off in 1 min.	<ul style="list-style-type: none"> Internal temperature is too high. → Turn off the power. → Check to see if nothing is blocking the ventilation holes.
Frequency is out of range!	<ul style="list-style-type: none"> This input signal cannot be projected as the frequency is out of the acceptable range of the projector. → Input a signal that is within the range of the frequency. The resolution setting of the output signal of a computer is too high. → Set the setting of output to SVGA (VPL-CS10) or XGA (VPL-CX10) (see page 16).
Please check INPUT-A setting.	<ul style="list-style-type: none"> You have input RGB signal from the computer when INPUT-A in the SET SETTING menu is set to COMPONENT. → Set INPUT-A correctly (see page 30).

Maintenance

Caution Messages

Use the list below to check the meaning of the messages displayed on the screen.

Message	Meaning and Remedy
NO INPUT	<ul style="list-style-type: none"> No input signal → Check connections (see page 16).
Not applicable!	<ul style="list-style-type: none"> You have pressed the wrong key. → Press the appropriate key.

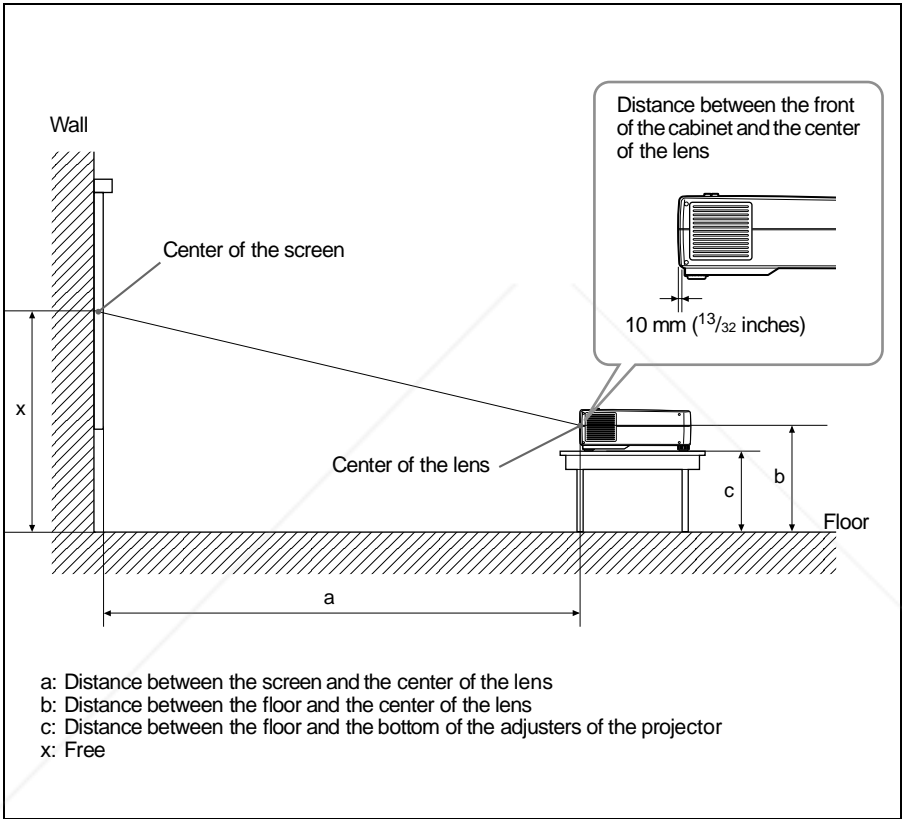


► Other

Installation Example

This section describes an example for floor installation. The installation measurements may differ for the kind of the projector that you use.

Floor Installation



The installation measurements and their calculation method are shown below.

The letters in the charts and calculation methods indicate the following.

SS: screen size measured diagonally (inches)

N: Minimum

M: Maximum

a: Distance between the screen and the center of the lens

b: Distance between the floor and the center of the lens

c: Distance between the floor and the bottom of the adjusters of the projector

x: Free

VPL-CS10

Unit: mm (inches)

SS		40	60	80	100	120	150	180	200	250	300
a	N	1468 (58)	2235 (87 ⁷ / ₈)	3001 (118 ¹ / ₈)	3768 (148 ¹ / ₂)	4534 (178 ³ / ₈)	5684 (223 ³ / ₄)	6833 (269)	7600 (299 ¹ / ₄)	9516 (374 ¹ / ₈)	11432 (450 ¹ / ₈)
	M	1771 (69 ³ / ₄)	2688 (106)	3604 (141 ³ / ₄)	4521 (178)	5437 (214 ¹ / ₄)	6812 (268 ¹ / ₄)	8186 (322 ¹ / ₂)	9103 (358 ³ / ₈)	11394 (448 ¹ / ₂)	13685 (539 ¹ / ₈)
b		x-305 (12)	x-457 (18)	x-610 (24)	x-762 (30)	x-914 (36)	x-1143 (45)	x-1372 (54)	x-1524 (60)	x-1905 (75 ¹ / ₈)	x-2286 (90 ¹ / ₈)
c		x-358 (14 ¹ / ₈)	x-511 (20 ¹ / ₈)	x-663 (26 ¹ / ₈)	x-816 (32 ¹ / ₈)	x-968 (38 ¹ / ₈)	x-1197 (47 ¹ / ₈)	x-1425 (56 ¹ / ₈)	x-1578 (62 ¹ / ₈)	x-1959 (77 ¹ / ₈)	x-2340 (92 ¹ / ₈)

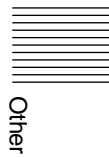
Calculation method of the installation measurement (unit: mm)

a (minimum) = {(SS × 33.8556/0.905512) – 63.2060} × 1.025

a (maximum) = {(SS × 42.5565/0.905512) – 63.1246} × 0.975

b = x – (SS/0.905512 × 6.9)

c = x – (SS/0.905512 × 6.9 + 53.5)



VPL-CX10

Unit: mm (inches)

SS		40	60	80	100	120	150	180	200	250	300
a	N	1465 (58)	2230 (87 ⁷ / ₈)	2996 (118 ¹ / ₈)	3761 (148 ¹ / ₈)	4526 (178 ³ / ₈)	5674 (223 ³ / ₈)	6822 (268 ³ / ₈)	7587 (298 ⁷ / ₈)	9500 (374 ¹ / ₈)	11413 (449 ¹ / ₈)
	M	1768 (69 ³ / ₄)	2683 (105 ³ / ₈)	3598 (141 ³ / ₄)	4513 (177 ³ / ₈)	5428 (213 ¹ / ₈)	6800 (267 ³ / ₄)	8172 (321 ³ / ₄)	9087 (358)	11375 (447 ³ / ₄)	13662 (537 ¹ / ₈)
b		x-304 (12)	x-456 (18)	x-609 (24)	x-761 (30)	x-913 (36)	x-1141 (45)	x-1369 (54)	x-1521 (60)	x-1902 (74 ¹ / ₈)	x-2282 (89 ¹ / ₈)
c		x-358 (14 ¹ / ₈)	x-510 (20 ¹ / ₈)	x-662 (26 ¹ / ₈)	x-814 (32 ¹ / ₈)	x-966 (38 ¹ / ₈)	x-1195 (47 ¹ / ₈)	x-1423 (56 ¹ / ₈)	x-1575 (62 ¹ / ₈)	x-1955 (77)	x-2336 (92)

Calculation method of the installation measurement (unit: mm)

a (minimum) = {(SS × 33.8585/0.907087) – 63.6124} × 1.025

a (maximum) = {(SS × 42.5589/0.907087) – 63.3149} × 0.975

b = x – (SS/0.907087 × 6.9)

c = x – (SS/0.907087 × 6.9 + 53.5)



Discount-Merchant.com (800) 281-8860

THE TRUSTED SOURCE FOR PROJECTOR LAMPS AND ACCESSORIES

Installation Example 37^{GB}

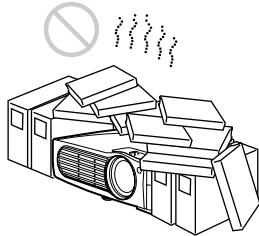
VPL-CS10/CX10
4-079-300-11 (1)

Notes on Installation

Unsuitable Installation

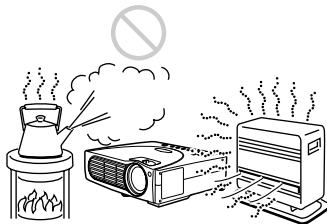
Do not install the projector in the following situations. These installations may cause malfunction or damage to the projector.

Poorly ventilated



- Allow adequate air circulation to prevent internal heat build-up. Do not place the unit on surfaces (rugs, blankets, etc.) or near materials (curtains, draperies) that may block the ventilation holes. When the internal heat builds up due to the block-up, the temperature sensor will function with the message "High temp.! Lamp off in 1 min." The power will be turned off automatically after one minute.
- Leave space of more than 30 cm (11 7/8 inches) around the unit.
- Be careful that the ventilation holes may inhale tininess such as a piece of paper.

Highly heated and humid

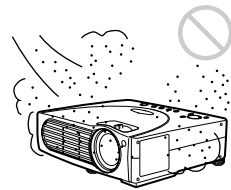


Avoid installing the unit in a location where the temperature or humidity is very high, or temperature is very low.

- To avoid moisture condensation, do not install the unit in a location where the temperature may rise rapidly.

Very dusty

Avoid installing the unit in a location where there is a lot of dust; otherwise, the air filter will be obstructed. The dust blocking the air through the filter may cause raising the internal heat of the projector. Clean it up periodically.

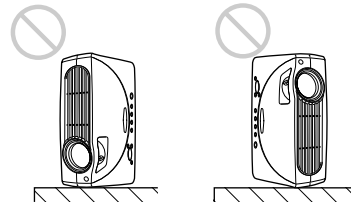


Unsuitable Conditions

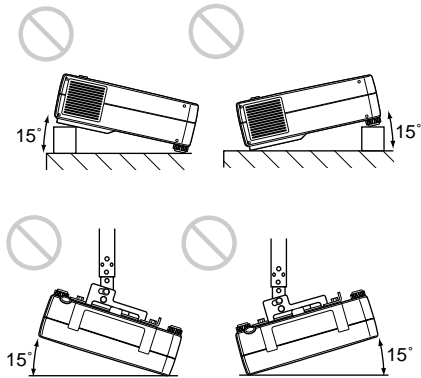
Do not use the projector under the following conditions.

Topping the unit

Avoid using as the unit topples over on its side. It may cause malfunction.

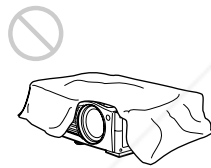


Tilting the unit more than 15 degrees



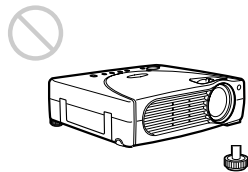
Avoid using as the unit tilts more than 15 degrees. These installation may cause malfunction.

Blocking the ventilation holes



Avoid using something to cover over the ventilation holes (exhaust/intake); otherwise, the internal heat may build up.

Removing the adjusters

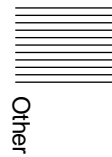


Avoid using the unit with the adjusters removed. Blocking the ventilation holes (intake) may cause internal heat build-up.

Specifications

Optical characteristics

Projection system	3 LCD panels, 1 lens, projection system
LCD panel	VPL-CS10: 0.9-inch TFT LCD panel, 1,440,000 pixels (480,000 pixels × 3) VPL-CX10: 0.9-inch TFT LCD panel with micro-lens array, 2,359,296 pixels (786,432 pixels × 3)
Lens	1.3 times zoom lens f 33.6 to 42 mm/F 1.7 to 2.2
Lamp	132 W UHP
Projection picture size	Range: 40 to 300 inches (diagonal measure)
Light output	VPL-CS10: ANSI lumen ¹⁾ 1000 lm VPL-CX10: ANSI lumen ¹⁾ 1200 lm
Throwing distance	VPL-CS10 (When the SVGA signal is input) 40-inch: 1468 to 1771 mm (57 7/8 to 69 3/4 inches) 60-inch: 2235 to 2688 mm (88 1/8 to 105 7/8 inches) 80-inch: 3001 to 3604 mm (118 3/16 to 142 inches) 100-inch: 3768 to 4521 mm (148 3/8 to 178 1/8 inches) 120-inch: 4534 to 5437 mm (178 5/8 to 214 1/8 inches) 150-inch: 5684 to 6812 mm (213 7/8 to 268 1/4 inches) 180-inch: 6833 to 8186 mm (269 1/8 to 322 3/8 inches) 200-inch: 7600 to 9103 mm (299 1/4 to 358 1/2 inches) 250-inch: 9516 to 11394 mm (374 3/4 to 448 3/4 inches) 300-inch: 11432 to 13685 mm (450 1/4 to 538 7/8 inches) VPL-CX10 (When the XGA signal is input) 40-inch: 1465 to 1768 mm (57 3/4 to 69 5/8 inches) 60-inch: 2230 to 2683 mm (87 7/8 to 105 3/4 inches) 80-inch: 2996 to 3598 mm (118 to 141 3/4 inches)



Other

100-inch: 3761 to 4513 mm
(148 ¹/₈ to 177 ³/₄ inches)
120-inch: 4526 to 5428 mm
(178 ¹/₄ to 213 ³/₄ inches)
150-inch: 5674 to 6800 mm
(223 ¹/₂ to 267 ³/₄ inches)
180-inch: 6822 to 8172 mm
(268 ⁵/₈ to 321 ⁷/₈ inches)
200-inch: 7587 to 9087 mm
(298 ³/₄ to 357 ⁷/₈ inches)
250-inch: 9500 to 11375 mm
(374 ¹/₈ to 448 inches)
300-inch: 11413 to 13662 mm
(449 ¹/₂ to 538 inches)

1) ANSI lumen is a measuring method of American National Standard IT 7.228.

Electrical characteristics

Color system NTSC_{3.58}/PAL/SECAM/
NTSC_{4.43}/PAL-M/PAL-N
system, switched automatically/
manually

Resolution VPL-CS10: 600 horizontal TV
lines (Video input)
800 × 600 dots (RGB input)
VPL-CX10: 750 horizontal TV
lines (Video input)
1024 × 768 dots (RGB input)

Acceptable computer signals
fH: 15 to 91 kHz
fV: 43 to 85 Hz

Speaker Stereo speakers system, 36 mm
(1 ⁷/₁₆ inches) diameter,
max. 0.5 W × 2

Input/Output

VIDEO IN S VIDEO: Y/C mini DIN 4-pin
type (male)
Y (luminance): 1 Vp-p ±2 dB
sync negative (75 ohms
terminated)
C (chrominance): burst
0.286 Vp-p ±2 dB (NTSC)
(75 ohms terminated),
burst 0.3 Vp-p ±2 dB (PAL)
(75 ohms terminated)
VIDEO: phono type
Composite video: 1 Vp-p ±2 dB
sync negative (75 ohms
terminated)
AUDIO: Stereo minijack
500 mVrms, impedance more
than 47 kilohms

INPUT A INPUT A: HD D-sub15-pin
(female)
Analog RGB/component:
R/R-Y: 0.7 Vp-p ±2 dB
(75 ohms terminated)
G: 0.7 Vp-p ±2 dB
(75 ohms terminated)
G with sync/Y: 1 Vp-p ±2 dB
sync negative
(75 ohms terminated)
B/B-Y: 0.7 Vp-p ±2 dB
(75 ohms terminated)
SYNC/HD:
Composite sync input: 1-5 Vp-p
high impedance, positive/
negative
Horizontal sync input: 1-5 Vp-p
high impedance, positive/
negative
VD:
Vertical sync input: 1-5 Vp-p
high impedance, positive/
negative
AUDIO: Stereo minijack
500 mVrms, impedance more
than 47 kilohms
MOUSE: 6-pin (female)
(For details, see "Pin assignment"
on pag e41.)

CONTROL S IN/PLUG IN POWER: Stereo
minijack 5 Vp-p, plug in power
5 V DC

USB hub: Up (B type: female) × 1
Down (A type: female) × 1

Safety regulations:
UL1950, CSA No. 950, FCC Class
B, IC Class B
NEMKO EN60950, CE, C-Tick

General

Dimensions 285 × 76 × 249.5 mm (11 ¹/₄ ×
3 × 9 ⁷/₈ inches) (w/h/d)
(without the projection parts)

Mass Approx. 3.3 kg (7 lb 4 oz)

Power requirements
AC 100 to 240 V, 2.0-0.8A,
50/60 Hz

Power consumption
Max. 200 W
(Standby mode: 4.2 W)

Heat dissipation 682.5 BTU

Operating temperature
0°C to 35°C (32°F to 95°F)

Operating humidity
35% to 85% (no condensation)



Discount-Merchant.com (800) 281-8860

THE TRUSTED SOURCE FOR PROJECTOR LAMPS AND ACCESSORIES

40 Specifications

VPL-CS10/CX10
4-079-300-11 (1)

- Storage temperature
-20°C to 60°C (-4°F to 140°F)
- Storage humidity
10% to 90%
- Supplied accessories
- Remote Commander RM-PJM10 (1)
 - Size AA (R6) batteries (2)
 - AV cable (2 m) (1)
(1-757-350-11)
 - HD D-sub 15 pin (2 m) (1)
(1-791-992-11)
 - PS/2 Mouse Cable (2 m) (1)
(1-792-424-11)
 - USB cable A type – B type (1)
(1-790-081-11)
 - Application software (1)
 - AC power cord (1)
 - Air filter (for replacement) (1)
 - Lens cap (1)
 - Operating Instructions (1)
 - Installation Manual for Dealers (1)
 - Quick Reference Card (1)
 - Warranty Booklet (1)

Design and specifications are subject to change without notice.

Optional accessories

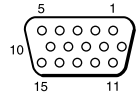
- Projector Lamp
LMP-C132 (for replacement)
- Signal Cable SMF-402 (HD D-sub 15-pin (male) ↔ 3 × phono type (male))
- Monitor Cable SMF-410 (HD D-sub 15 pin (male) ↔ HD D-sub 15 pin (male))
- Signal Adapter
ADP-20 (Macintosh ↔ HD D-sub 15-pin)
- Screens
50-inch Portable Screen VPS-50C¹⁾
100-inch Flat Screen VPS-100FH

Some of the items may not be available in some areas. For details, please consult your nearest Sony office.

- 1) VPS-50C may not be available in some areas. For details, please consult your nearest Sony office.

Pin assignment

INPUT A connector (HD D-sub 15-pin, female)

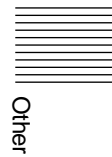


1	R/R-Y	9	N.C.
2	G/Y	10	GND
3	B/B-Y	11	GND
4	GND	12	N.C.
5	GND	13	HD/C.Sync
6	GND (R)	14	VD
7	GND (G)	15	N.C.
8	GND (B)		

MOUSE connector (6-pin, female)



1	DATA
2	N.C.
3	GND
4	+5V
5	CLK
6	N.C.



Input signals and adjustable/setting items

PICTURE CTRL menu

Item	Input signal			
	Video or S video (Y/C)	Component	RGB	B&W
CONTRAST	●	●	●	●
BRIGHT	●	●	●	●
COLOR	●	●	–	–
HUE	● (NTSC 3.58/4.43 only)	–	–	–
SHARP	●	●	–	●
D. PICTURE	●	●	–	●
GAMMA MODE	–	–	●	–
COLOR TEMP	●	●	●	●
COLOR SYS	●	–	–	●

● : Adjustable/can be set
 – : Not adjustable/cannot be set

INPUT SETTING menu

Item	Input signal			
	Video or S video (Y/C)	Component	RGB	B&W
DOT PHASE	–	–	●	–
SIZE	–	–	●	–
SHIFT	–	–	●	–
SCAN CONV	–	–	●	–
ASPECT	●	●	–	●

● : Adjustable/can be set
 – : Not adjustable/cannot be set



Sponsored by

Discount-Merchant.com (800) 281-8860

THE TRUSTED SOURCE FOR PROJECTOR LAMPS AND ACCESSORIES

Preset signals

Memory No.	Preset signal	fH (kHz)	fV (Hz)	Sync	SIZE	
1	Video 60 Hz	15.734	59.940			
2	Video 50 Hz	15.625	50.000			
3	15k RGB/Component 60 Hz	15.734	59.940	S on G/Y or Composite Sync		
4	15k RGB/Component 50 Hz	15.625	50.000	S on G/Y or Composite Sync		
6	640 × 350	VGA mode 1	31.469	70.086	H-pos, V-neg	800
7		VGA VESA 85 Hz	37.861	85.080	H-pos, V-neg	832
8	640 × 400	PC-9801 Normal	24.823	56.416	H-neg, V-neg	848
9		VGA mode 2	31.469	70.086	H-neg, V-pos	800
10		VGA VESA 85 Hz	37.861	85.080	H-neg, V-pos	832
11	640 × 480	VGA mode 3	31.469	59.940	H-neg, V-neg	800
12		Macintosh 13"	35.000	66.667	H-neg, V-neg	864
13		VGA VESA 72 Hz	37.861	72.809	H-neg, V-neg	832
14		VGA VESA 75 Hz	37.500	75.000	H-neg V-neg	840
15		VGA VESA 85 Hz	43.269	85.008	H-neg V-neg	832
16	800 × 600	SVGA VESA 56 Hz	35.156	56.250	H-pos, V-pos	1024
17		SVGA VESA 60 Hz	37.879	60.317	H-pos, V-pos	1056
18		SVGA VESA 72 Hz	48.077	72.188	H-pos, V-pos	1040
19		SVGA VESA 75 Hz	46.875	75.000	H-pos, V-pos	1056
20		SVGA VESA 85 Hz	53.674	85.061	H-pos, V-pos	1048
21	832 × 624	Macintosh 16"	49.724	74.550	H-neg, V-neg	1152
22	1024 × 768	XGA VESA 43 Hz	35.522	43.479	H-pos, V-pos	1264
23		XGA VESA 60 Hz	48.363	60.004	H-neg V-neg	1344
24		XGA VESA 70 Hz	56.476	70.069	H-neg V-neg	1328
25		XGA VESA 75 Hz	60.023	75.029	H-pos, V-pos	1312
26		XGA VESA 85 Hz	68.677	84.997	H-pos, V-pos	1376
27	1152 × 864	SXGA VESA 70 Hz	63.995	70.016	H-pos, V-pos	1472
28		SXGA VESA 75 Hz	67.500	75.000	H-pos, V-pos	1600
29		SXGA VESA 85 Hz	77.487	85.057	H-pos, V-pos	1568
30	1152 × 900	Sunmicro LO	61.795	65.960	H-neg, V-neg	1504
31		Sunmicro HI	71.713	76.047	H-neg, V-neg	1472
32	1280 × 960	SXGA VESA 60 Hz	60.000	60.000	H-pos, V-pos	1800
33		SXGA VESA 75 Hz	75.000	75.000	H-pos, V-pos	1728

Other



Discount-Merchant.com (800) 281-8860

THE TRUSTED SOURCE FOR PROJECTOR LAMPS AND ACCESSORIES

Specifications | 43^{GB}

Memory No.	Preset signal		fH (kHz)	fV (Hz)	Sync	SIZE
34	1280 × 1024	SXGA VESA 43 Hz	46.433	43.436	H-pos, V-pos	1696
35		SGI-5	53.316	50.062	S on G	1680
36		SXGA VESA 60 Hz	63.974	60.013	H-pos, V-pos	1696
37		SXGA VESA 75 Hz	79.976	75.025	H-pos, V-pos	1688
38		SXGA VESA 85 Hz	91.146	85.024	H-pos, V-pos	1012 (VPL-CS10) 1296 (VPL-CX10)

Note

When a signal other than the preset signals shown above is input, the picture may not appear properly.

Warning on power connection

Use a proper power cord for your local power supply.

	The United States, Canada		Continental Europe	UK, Ireland, Australia, Newzealand	Japan
Plug type	VM0233	290B	YP-12A	— 1)	YP332
Female end	VM0089	386A	YC-13B	VM0310B	YC-13
Cord type	SJT	SJT	H05VV-F	N13237/CO-228	VCTF
Rated Voltage & Current	10A/125V	10A/125V	10A/250V	10A/250V	7A/125V
Safety approval	UL/CSA	UL/CSA	VDE	VDE	DENTORI

Note

1) Use an appropriate rating plug which is applied to local regulations.

Index

A

Adjuster9
 Adjusting
 memory of the settings 26
 the picture23, 27
 the picture size/shift28
 Air filter32
 ASPECT29

B

Battery
 installation14
 notes14
 BRIGHT27

C

Carrying handle10
 COLOR27
 COLOR SYS (System) ...27
 COLOR TEMP27
 Connections
 component equipment 18
 computer16
 VCR18
 CONTRAST27

D

D. (Dynamic) PICTURE 27
 DIGITAL KEYSTONE ..30
 Digital Zoom function25
 DOT PHASE28

G

GAMMA MODE27

H

HUE27

I

INPUT A connector12
 pin assignment41
 INPUT SETTING menu .28
 INPUT-A30
 INSTALLATION30
 Installation example

Floor installation36
 notes38
 unsuitable conditions ..38
 Installing the projector ...15

K

KEYSTONE MEMORY 30

L

Lamp replacement31
 LAMP TIMER30
 LANGUAGE30
 selecting the menu
 language20
 Location and function of
 controls
 connector panel12
 control panel11
 front/left side9
 rear/right side/bottom ...9
 Remote Commander ...13

M

Menu
 clearing the menu
 display26
 INPUT SETTING
 menu28
 PICTURE CTRL
 menu27
 SET SETTING menu .30
 using the menu26

Message

caution35
 warning35

Mouse cable

connection18
 pin assignment41
 Mouse connector12
 pin assignment41

O

Optional accessories41

P

PICTURE CTRL menu ..27
 Pin assignment41
 Power
 turn on22
 POWER SAVING11, 30

Precautions6

R

Remote Commander
 battery installation 14
 location and function of
 controls13
 Remote control detector
 front9
 rear9
 setting30
 Reset
 resetting the item26
 resttable items26

S

SCAN CONV (Scan
 converter)28
 Screen size 15, 37, 39
 SET SETTING menu30
 SHARP27
 SHIFT28
 SIRCS RECEIVER9, 30
 SIZE28
 Specifications39
 STATUS (on-screen
 display)30
 Supplied accessories41

T

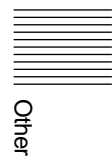
Troubleshooting33

U

USB connector 12, 17

V

Ventilation holes
 exhaust9
 intake9



Discount-Merchant.com (800) 281-8860

THE TRUSTED SOURCE FOR PROJECTOR LAMPS AND ACCESSORIES

AVERTISSEMENT

Afin d'éviter tout risque d'incendie ou d'électrocution, n'exposez pas cet appareil à la pluie ou à l'humidité.

Afin d'éviter tout risque d'électrocution, n'ouvrez pas le châssis. Confiez l'entretien uniquement à un personnel qualifié.

Pour les utilisateurs au Canada
Cet appareil numérique de la classe B est conforme à la norme NMB-003 du Canada.

La prise doit être près de l'appareil et facile d'accès.

Table des matières

Aperçu

Précautions	4
Caractéristiques	5
Emplacement et fonction des commandes	7
Avant/Gauche	7
Arrière/Droit/Bas	7
Panneau de commande	9
Panneau des connecteurs	10
Télécommande	11

Installation et projection

Installation du projecteur	13
Raccordement du projecteur	14
Raccordement à un ordinateur	14
Raccordement à un magnétoscope ou à un appareil à signal RVB 15k/à composantes	16
Sélection de la langue de menu	18
Projection	20
Des outils efficaces pour vos présentations	23

Réglages à l'aide du menu

Utilisation du MENU	24
Le menu CTRL IMAGE	25
Le menu REGL ENTREE	26
Le menu REGLAGE	28

Entretien

Entretien	29
Remplacement de la lampe	29
Nettoyage du filtre à air	30
Guide de dépannage	32
Messages d'avertissement	34
Messages de précaution	34

Divers

Exemple d'installation	35
Installation au sol	35
Remarques sur l'installation	37
Installation déconseillée	37
Positions déconseillées	38
Spécifications	39
Index	45

FR

► *Aperçu*

Précautions

Sécurité

- Vérifiez si la tension de service de votre appareil est identique à la tension secteur locale.
- Si du liquide ou un objet quelconque venait à pénétrer dans le châssis, débranchez l'appareil et faites-le vérifier par un technicien qualifié avant de le remettre en service.
- Débranchez l'appareil de la prise murale si vous n'avez pas l'intention d'utiliser le projecteur pendant plusieurs jours.
- Pour débrancher le cordon, saisissez-le par la fiche. Ne tirez jamais sur le cordon, lui-même.
- La prise murale doit se trouver à proximité de l'appareil et être facile d'accès.
- L'appareil n'est pas déconnecté de la source d'alimentation (secteur) tant qu'il reste branché à la prise murale, même si l'appareil a été mis hors tension.
- Ne regardez pas vers l'objectif lorsque la lampe est allumée.
- Ne placez pas la main ou d'autres objets à proximité des orifices de ventilation. L'air expulsé est brûlant.
- Veillez à ne pas vous coincer les doigts dans le support réglable lorsque vous soulevez le projecteur. Ne poussez pas trop fort sur le dessus du projecteur lorsque le support réglable est abaissé.
- Installez le projecteur sur le sol ou au plafond. Tout autre type d'installation provoque des dysfonctionnements, par exemple des irrégularités dans les couleurs ou une durée de vie plus courte de la lampe.
- Pour une installation au plafond, adressez-vous à un technicien Sony qualifié.

Éclairage

- Pour obtenir la meilleure qualité d'image possible, l'avant de l'écran ne doit pas être directement exposé à la source d'éclairage ni au rayonnement solaire.

- Nous préconisons un éclairage au moyen de spots fixés au plafond. Placez un écran sur les lampes fluorescentes de façon à éviter une altération du niveau de contraste.
- Occultez les fenêtres qui font face à l'écran au moyen de draperies opaques.
- Il est préférable d'installer le projecteur dans une pièce où le sol et les murs ne sont pas revêtus d'un matériau réfléchissant la lumière. Si le sol et les murs réfléchissent la lumière, nous vous recommandons de remplacer le revêtement du sol et des murs par une couleur sombre.

Prévention de la surchauffe interne

Après avoir mis l'appareil hors tension au moyen de la touche I / ⏻, ne débranchez pas l'appareil de la prise secteur tant que le ventilateur de refroidissement tourne.

Attention

Le projecteur est équipé de trous d'aération (prises d'air) et de ventilation (sortie d'air). N'obstruez pas ces orifices et ne placez rien à proximité car vous risqueriez de provoquer une surchauffe interne pouvant entraîner une altération de l'image ou des dommages au projecteur.

Entretien

- Pour conserver au châssis l'éclat du neuf, nettoyez-le régulièrement au moyen d'un chiffon doux. Pour éliminer les taches récalcitrantes, employez un chiffon légèrement imprégné d'une solution détergente neutre. N'utilisez en aucun cas des solvants puissants tels que du diluant, du benzène ni d'agents nettoyants abrasifs dans la mesure où ces produits risquent d'endommager le fini du châssis.
- Ne touchez pas l'objectif. Pour dépeussier l'objectif, employez un chiffon doux et sec. N'utilisez pas de chiffon humide, de solution détergente ni de diluant.
- Nettoyez le filtre à intervalles réguliers.

Emballage

- Conservez le carton d'emballage et les matériaux de conditionnement d'origine, car ils constituent une protection idéale si vous êtes amené à transporter l'appareil. Pour une protection optimale, remballiez votre appareil comme il a été emballé à l'origine en usine.

Projecteur LCD

- Le projecteur LCD est fabriqué selon une technologie de fabrication de haute précision. Il est cependant possible que de petits points noirs ou lumineux (rouges, bleus ou verts) apparaissent sur le projecteur LCD. Ceci est un résultat normal du processus de fabrication et n'indique pas un mauvais fonctionnement de l'appareil.

Caractéristiques

Ultra-portable

- **Poids léger/format compact**

Ce projecteur ne pèse qu'environ 3,3 kg et ne dépasse pas le format de dossier A4. Il est également équipé d'une poignée de transport qui vous permet de l'emporter aisément avec votre ordinateur.

Réduction de bruit

Les bruits de fonctionnement du projecteur ont été réduits grâce à un nouveau mécanisme de refroidissement.

Luminosité élevée, haute qualité d'image

- **Haute luminosité**

L'adoption d'un nouveau système optique et de la lampe UHP de 132 W autorise une haute luminosité (VPL-CS10: intensité lumineuse 1000 ANSI lumen, VPL-CX10: intensité lumineuse 1200 ANSI lumen) et une excellente uniformité de l'image.

- **Haute définition**

VPL-CS10

Utilisant trois panneaux SVGA de 0,9 pouce et de 480.000 pixels, ce projecteur offre une résolution de 800 × 600 points pour l'entrée RVB et de 600 lignes TV horizontales pour l'entrée vidéo.

VPL-CX10

Utilisant trois panneaux XGA de 0,9 pouce et de 790.000 pixels, ce projecteur offre une résolution de 1024 × 768 points pour l'entrée RVB et de 750 lignes TV horizontales pour l'entrée vidéo.

Installation simplifiée

- **Installation simplifiée avec un appareil externe**

Ce projecteur est préréglé pour 37 types de signaux d'entrée. Vous pouvez projeter les images d'une source de signal extérieure en raccordant l'équipement concerné avec le câble fourni et en appuyant sur la touche APA.



Aperçu

- **Compatible avec la fonction USB (Universal Serial Bus)**

Vous pouvez raccorder le projecteur à tout appareil compatible USB, tel qu'une souris USB, et commander le projecteur d'un l'aide du logiciel d'application fourni au départ d'un ordinateur avec le projecteur (sur CD-ROM) à partir d'un ordinateur sur lequel Windows 98, Windows 98 SE ou Windows 2000 a été préinstallé. Ce logiciel d'application vous permet d'ouvrir un dossier que vous désirez utiliser pour votre présentation à l'aide de la télécommande fournie.

Présentation simplifiée

- **Télécommande multifonction avec commande de souris**

Vous pouvez commander un ordinateur raccordé à ce projecteur au moyen de la télécommande car l'appareil dispose d'un récepteur de souris intégré.

- **Les touches Digital ZOOM et FUNCTION sur la télécommande**

Digital ZOOM vous permet d'augmenter l'impact de votre présentation en effectuant un zoom sur l'image. Vous pouvez affecter un fichier de présentation aux touches FUNCTION en utilisant le logiciel d'application fourni avec le projecteur (sur le CD-ROM). Il suffit alors d'appuyer sur la touche FUNCTION pour ouvrir le fichier immédiatement.

Compatible avec différents signaux d'entrée

- **Convertisseur de balayage chargé**

Ce projecteur dispose d'un convertisseur de balayage intégré qui convertit le signal d'entrée en 800 × 600 points (VPL-CS10) ou 1024 × 768 points (VPL-CX10).

- **Signaux d'entrée compatibles**

Ce projecteur accepte les signaux vidéo composites, S vidéo et à composantes, ainsi que les signaux RVB 15k, VGA, SVGA, XGA et SXGA, qui peuvent tous être affichés.

- **Compatible avec six systèmes couleur**

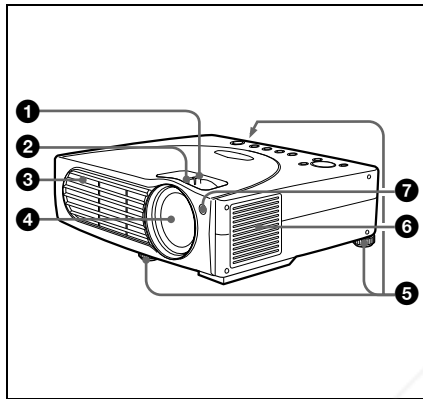
Les systèmes couleur NTSC, PAL, SECAM, NTSC^{4.43}¹⁾, PAL-M ou PAL-N peuvent être sélectionnés automatiquement ou manuellement.

- Windows est une marque de Microsoft Corporation déposée aux États-Unis et/ou dans d'autres pays.
- VGA, SVGA, XGA et SXGA sont des marques déposées d'International Business Machines Corporation, États-Unis.
- Macintosh est une marque déposée de Apple Computer, Inc.
- IBM PC/AT est une marque déposée d'International Business Machines Corporation, États-Unis.
- VESA est une marque déposée de Video Electronics Standard Association.
- Display Data Channel est une marque de Video Electronics Standard Association.
- PC-98 est une marque de NEC Corporation.

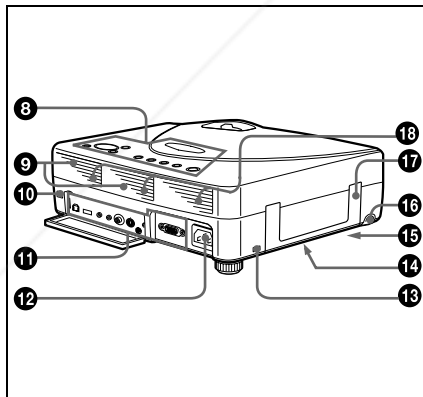
1) NTSC^{4.43} est le système couleur utilisé lors de la reproduction d'enregistrements vidéo réalisés en NTSC sur un magnétoscope NTSC^{4.43}.

Emplacement et fonction des commandes

Avant/Gauche



Arrière/Droit/Bas



❶ Bague de zoom

Ajuste la taille de l'image.

❷ Bague de mise au point

Ajuste la mise au point de l'image.

❸ Orifices de ventilation (sortie d'air)

❹ Objectif

❺ Support réglable

Si une image est projetée hors de l'écran, ajustez l'image à l'aide de ce dispositif de réglage.

Pour plus de détails sur l'utilisation des supports réglables, voir "Utilisation du support réglable", page 8.

❻ Orifices de ventilation (prise d'air)/couvercle de filtre à air

Remarques

- Ne placez rien à proximité des orifices de ventilation sous peine de provoquer une surchauffe interne.
- Ne placez pas les mains ou des objets à proximité des orifices de ventilation, car l'air ne pouvant plus sortir risque d'entraîner une surchauffe interne.
- Pour maintenir des performances optimales, **nettoyez le filtre à air toutes les 300 heures.**

❼ Capteur de télécommande frontal (récepteur SIRCS)

❽ Panneau de commande

Pour plus de détails, voir "Panneau de commande", page 9.

❾ Haut-parleur

❿ Capteur de télécommande frontal (récepteur SIRCS)

⓫ Panneau des connecteurs

Pour plus de détails, voir "Panneau des connecteurs", à la page 10.



12 Prise AC IN

Branchez-y le cordon d'alimentation secteur fourni.

13 Serrure de sécurité

Branchez-y un câble de sécurité en option (Kensington).

La serrure de sécurité est conforme au système de sécurité MicroSaver de Kensington.

Si vous avez des commentaires, contactez:

Kensington
2853 Campus Drive
San Mateo, CA 94403
Etats-Unis
Tél: 800-535-4242: poste 3348

Site Internet:
<http://www.kensington.com/>

14 Orifices de ventilation (prise d'air, bas)

15 Couvercle de lampe (bas)

16 Touche RELEASE (réglage du support)

Pour plus de détails, voir "Utilisation du support réglable", page 8.

17 Poignée de transport

Déployez la poignée du projecteur pour le transporter.

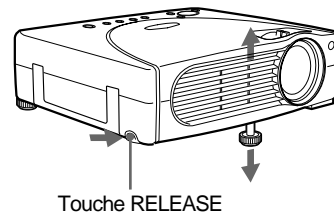
18 Orifices de ventilation (prise d'air, arrière)

Utilisation du support réglable

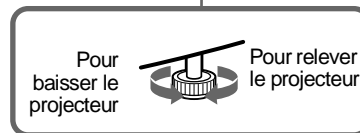
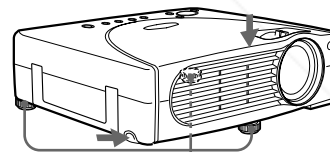
Pour régler la hauteur

Réglez la hauteur du projecteur comme suit:

- 1 Soulevez le projecteur et appuyez sur la touche RELEASE.
Le support sort du projecteur.



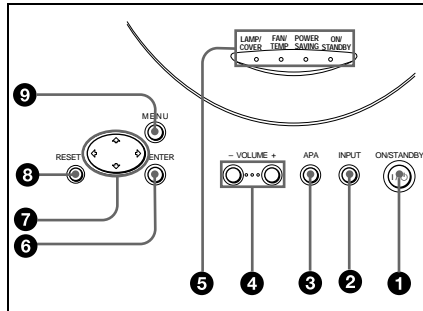
- 2 Tout en appuyant sur la touche, baissez le projecteur. Puis relâchez la touche.
Pour un réglage plus précis, tournez le support réglable vers la droite et la gauche.



Remarques

- Ne retirez pas les ajusteurs du projecteur. N'utilisez pas le projecteur si les supports réglables sont retirés.
- Attention à ne pas laisser tomber le projecteur sur vos doigts.
- Ne poussez pas trop fort sur le dessus du projecteur lorsque les supports réglables sont abaissés.

Panneau de commande



1 Touche I / ⏻ (ON/STANDBY)

Met le projecteur sous/hors tension lorsque le projecteur est en mode de veille. L'indicateur ON/STANDBY s'allume en vert lorsque l'appareil est sous tension. Lorsque vous mettez l'appareil hors tension, appuyez deux fois sur la touche I / ⏻ en suivant les instructions à l'écran, ou appuyez sur la touche et maintenez-la pendant environ 1 seconde.

Pour plus de détails sur la procédure de mise hors tension, voir "Pour mettre le projecteur hors tension", à la page 22.

2 Touche INPUT

Sélectionne le signal d'entrée. Chaque fois que vous appuyez sur cette touche, le signal d'entrée change comme su it:



3 Touche APA (alignement automatique des pixels)

Règle une image à projeter le plus nettement possible de manière automatique lorsqu'un signal de l'ordinateur est reçu.

4 Touches VOLUME +/-

Règlent le volume des haut-parleurs intégrés.

+: Augmente le volume.
-: Diminue le volume.

5 Indicateurs

- **LAMP/COVER:** S'allume ou clignote dans les conditions suivantes:
 - S'allume lorsque la lampe a atteint la fin de sa durée de vie ou une température élevée.
 - Clignote lorsque le couvercle de la lampe ou le couvercle du filtre à air n'est pas correctement fixé.
- **FAN/TEMP (température):** S'allume ou clignote dans les conditions suivantes:
 - S'allume lorsque la température à l'intérieur du projecteur devient anormalement élevée.
 - Clignote lorsque le ventilateur est défectueux.
- **POWER SAVING:** S'allume lorsque le projecteur est en mode d'économie d'énergie. Lorsque MODE ECO dans le menu REGLAGE est mis sur ON, le projecteur passe en mode d'économie d'énergie si aucun signal n'est entré pendant 10 minutes. Bien que la lampe s'éteigne, le ventilateur de refroidissement continue de tourner. En mode d'économie d'énergie, aucune des touches ne fonctionne pendant les 30 premières secondes. Le mode d'économie d'énergie est désactivé dès qu'un signal est entré ou qu'une touche est actionnée.
- **ON/STANDBY:** S'allume ou clignote dans les conditions suivantes:
 - S'allume en rouge lorsque le cordon d'alimentation secteur est branché à une prise murale. Lorsque le projecteur se trouve en mode de veille, vous pouvez le mettre sous tension à l'aide de la touche I / ⏻.
 - S'allume en vert lorsque le projecteur est sous tension.
 - Clignote en vert tant que le ventilateur de refroidissement tourne après la mise hors tension à l'aide de la touche I / ⏻. Le ventilateur tourne pendant environ 60 secondes après la mise hors tension. L'indicateur ON/STANDBY clignote rapidement pendant les 30 premières secondes. Pendant ce temps, vous ne pouvez pas allumer

Aperçu

l'indicateur ON/STANDBY à l'aide de la touche I / ⏻.

Pour plus de détails sur les indicateurs LAMP/COVER et FAN/TEMP, voir page 34.

6 Touche ENTER

Confirme la saisie des réglages de paramètres dans le menu système.

7 Touches fléchées (↑/↓/←/→)

Servent à sélectionner le menu ou à procéder à différents réglages.

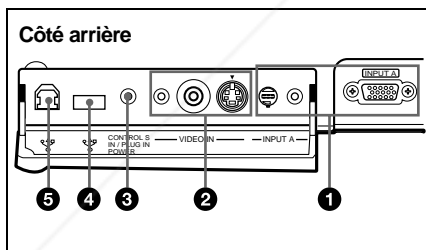
8 Touche RESET

Restaure la valeur de réglage par défaut d'un paramètre. Cette touche est active lorsque le menu ou un paramètre de réglage est affiché à l'écran.

9 Touche MENU

Affiche l'écran de menu. Appuyez à nouveau sur cette touche pour désactiver le menu.

Panneau des connecteurs



1 Connecteur INPUT A

Raccordez-le à un appareil externe comme un ordinateur.

- **Connecteur INPUT A (HD D-sub à 15 broches, femelle):** Raccordez-le à la sortie moniteur d'un ordinateur à l'aide du câble fourni. Pour entrer un signal à composantes ou RVB 15k, utilisez le câble en option.

Pour plus de détails, voir "Raccordement à un appareil RVB 15k à composantes", page 17.

- **Connecteur AUDIO (miniprise stéréo):** Se raccorde à la sortie audio d'un ordinateur.
- **Connecteur MOUSE (6 broches):** Raccordez-le au port pour souris PS/2 d'un ordinateur à l'aide du câble de souris fourni pour commander la fonction souris.

2 Connecteur VIDEO IN

Raccordez-le à un appareil vidéo externe comme un magnétoscope.

- **S VIDEO (miniconnecteur DIN à 4 broches):** Raccordez-le à la sortie S Video (sortie Y/C).
- **VIDEO (type phono):** Raccordez-le à la sortie vidéo composite d'un appareil vidéo.
- **Connecteur AUDIO (miniprise stéréo):** Se raccorde à la sortie audio d'un magnétoscope.

3 Prise CONTROL S IN/PLUG IN POWER (sortie 5V courant continu)

Se raccorde à la prise de sortie Control S d'un appareil Sony.

Se raccorde à la prise CONTROL S OUT de la télécommande fournie lorsque celle-ci est utilisée comme télécommande avec fil. Dans ce cas, il n'est pas nécessaire d'installer des piles dans la télécommande, car cette prise fournit aussi l'alimentation électrique.

4 Connecteur USB (fiche A USB pour envoi de données, 4 broches)

Raccordez-le à un appareil USB tel qu'une souris, un appareil photo, etc.

5 Connecteur USB (fiche B USB pour réception de données, 4 broches)

Raccordez-le à un connecteur USB d'un ordinateur.

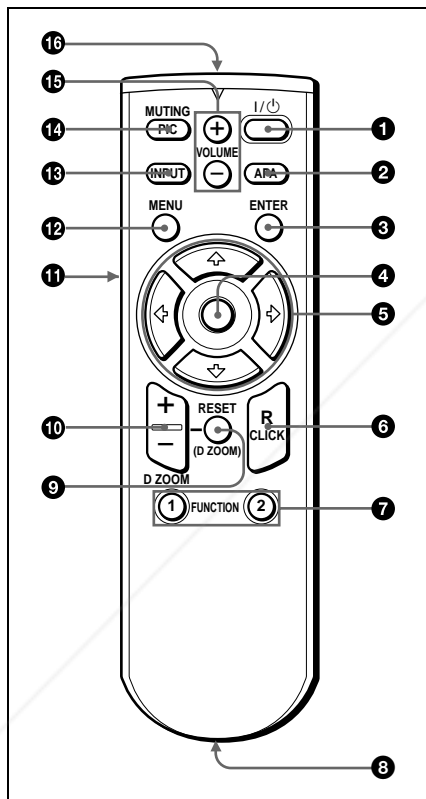
Lorsque vous raccordez le projecteur à l'ordinateur, le projecteur reconnaît la souris de l'ordinateur raccordé au connecteur INPUT A et vous pouvez alors commander la fonction de souris à l'aide de la télécommande fournie. Le logiciel d'application fourni peut être installé dans un ordinateur raccordé à ce connecteur.

Télécommande

Les touches portant le même nom que sur le panneau de commande remplissent la même fonction.

Vous pouvez commander un ordinateur connecté au moyen de la télécommande.

Pour plus de détails, voir "Pour commander l'ordinateur à l'aide de la télécommande fournie", page 21.



1 Touche I / $\text{\textcircled{I}}$

2 Touche APA (alignement automatique des pixels)

3 Touche ENTER

4 Manette de commande

Fonctionne comme la souris d'un ordinateur raccordé à l'appareil.

5 Touches fléchées ($\uparrow/\downarrow/\leftarrow/\rightarrow$)

6 Touche R CLICK

Fonctionne comme le bouton droit de la souris.

7 Touches FUNCTION 1, 2

Ces touches fonctionnent lorsque le logiciel d'application est utilisé. Lorsque vous connectez le projecteur avec un ordinateur, vous pouvez ouvrir un fichier à l'écran simplement en appuyant sur la touche FUNCTION. Ceci augmente l'impact de votre présentation. Pour utiliser cette fonction, affectez un fichier à la touche FUNCTION à l'aide du logiciel d'application.

Pour plus de détails, reportez-vous au fichier README et au fichier d'aide accompagnant le logiciel d'application.

8 Prise CONTROL S OUT (miniprise stéréo)

Se raccorde à la prise CONTROL S IN du projecteur avec le câble de connexion lors de l'utilisation de la télécommande avec fil. Dans ce cas, il n'est pas nécessaire d'installer des piles car la prise CONTROL S IN fournit l'alimentation électrique sur le projecteur.

9 Touche RESET (D ZOOM)

Restaure la valeur d'un élément à sa valeur d'usine ou la taille d'une image à sa taille d'origine.

10 Touche D ZOOM +/-

Agrandit l'image à un emplacement désiré de l'écran.

+: En appuyant une fois sur la touche +, une des images divisée en 16 est mise en surbrillance. Utilisez une touche fléchée ($\uparrow/\downarrow/\leftarrow/\rightarrow$) pour déplacer la surbrillance sur le point de l'image à agrandir. Appuyez sur la touche + plusieurs fois de suite, jusqu'à ce que l'image soit agrandie comme vous le souhaitez.

-: En appuyant sur la touche -, une image agrandie à l'aide de la touche D ZOOM + est réduite.

Aperçu

11 Touche L CLICK

Fonctionne comme le bouton gauche de la souris.

12 Touche MENU

13 Touche INPUT

14 Touche MUTING PIC

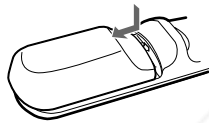
Coupe l'image. Appuyez de nouveau sur cette touche pour restaurer l'image.

15 Touche VOLUME +/-

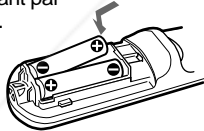
16 Emetteur infrarouge

Installation des piles

- 1** Appuyez sur le couvercle et faites-le glisser pour l'ouvrir, puis installez deux piles R6 (AA) (fournies) en respectant la polarité.



Veillez à placer les piles en commençant par le côté ⊖.



- 2** Remettez le couvercle en place.

Remarques sur les piles

- Veillez à orienter les piles dans le bon sens lorsque vous les installez dans la télécommande.
- N'utilisez pas en même temps des piles neuves et des piles usagées, ni des piles de types différents.
- Si vous prévoyez de ne pas utiliser la télécommande pendant une période prolongée, ôtez les piles de façon à éviter tout dommage causé par une fuite des piles. Si une pile a fuit, retirez les piles, nettoyez et séchez le compartiment à piles et remplacez les piles par des neuves.

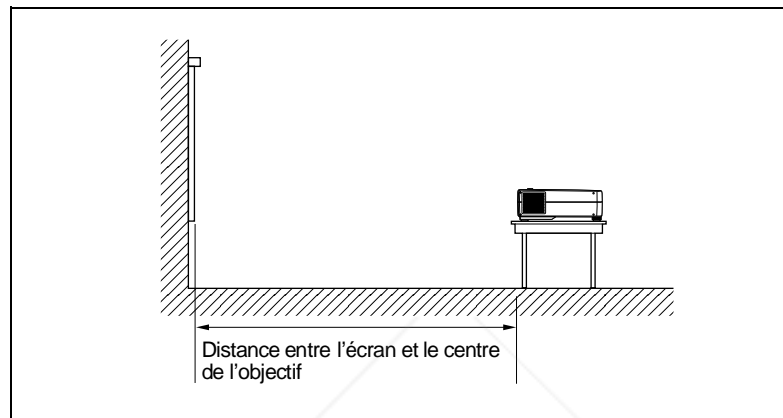
Remarques sur l'utilisation de la télécommande

- Assurez-vous qu'aucun obstacle ne perturbe la transmission du faisceau infrarouge entre la télécommande et le capteur de télécommande du projecteur. Pointez la télécommande vers le capteur de télécommande avant ou arrière.
- La portée de la télécommande est limitée. Plus la distance qui sépare la télécommande du projecteur est courte, plus le champ de commande du projecteur par la télécommande est important.

► *Installation et projection*

Installation du projecteur

Cette section décrit comment installer le projecteur.
La distance entre l'objectif et l'écran varie suivant la taille de l'écran. Utilisez
le tableau suivant comme guide de référence.



Installation et projection

Unité: m (pieds)

Taille d'écran (pouces)	40	60	80	100	120	150	200	300
Distance minimale	1,5 (4,8)	2,2 (7,3)	3,0 (9,8)	3,8 (12,4)	4,5 (14,9)	5,7 (18,6)	7,6 (24,9)	11,4 (37,5)
Distance maximale	1,8 (5,8)	2,7 (8,8)	3,6 (11,8)	4,5 (14,8)	5,4 (17,8)	6,8 (22,3)	9,1 (29,8)	13,7 (44,9)

*Pour plus de détails, voir "Exemple d'installation", page 35.
Pour plus de détails sur l'installation au plafond, adressez-vous à un
technicien Sony qualifié (intervention facturée).*

Raccordement du projecteur

Lors de la réalisation des connexions, veuillez respecter les consignes suivantes:

- Mettez tous les appareils hors tension avant tout raccordement.
- Utilisez les câbles appropriés pour chaque raccordement.
- Branchez correctement les fiches des câbles; des fiches incomplètement enfichées sont souvent à l'origine de parasites. Pour débrancher un câble, saisissez-le par la fiche, ne tirez pas sur le câble proprement dit.

Raccordement à un ordinateur

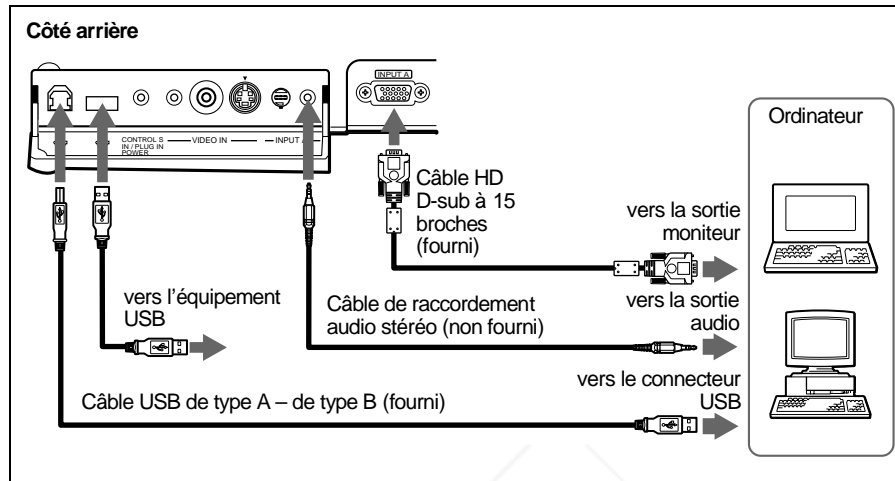
Cette section décrit comment raccorder le projecteur à un ordinateur. Pour plus d'informations, reportez-vous au mode d'emploi de l'ordinateur.

Remarques

- Le projecteur accepte les signaux VGA, SVGA, XGA et SXGA. Nous vous conseillons cependant de régler le mode de sortie de votre ordinateur sur le mode SVGA (VPL-CS10) ou XGA (VPL-CX10) pour le moniteur externe.
- Si vous réglez votre ordinateur, tel qu'un portable de type notebook, pour sortir le signal à la fois vers l'écran de votre ordinateur et le moniteur externe, il se peut que l'image n'apparaisse pas correctement sur le moniteur externe. En pareil cas, réglez votre ordinateur pour sortir le signal vers le moniteur externe uniquement.
Pour plus de détails, reportez-vous au mode d'emploi de votre ordinateur accompagnant votre ordinateur.
- Le câble de souris fourni peut ne pas fonctionner correctement en fonction de votre ordinateur.
- Ce projecteur est compatible avec DDC2B (Digital Data Channel 2B). Si votre ordinateur est compatible avec DDC, mettez le projecteur sous tension suivant la procédure suivante.
 - 1 Raccordez le projecteur à l'ordinateur à l'aide du câble HD D-sub à 15 broches fourni.
 - 2 Mettez le projecteur sous tension.
 - 3 Démarrez l'ordinateur.

Raccordement à un ordinateur compatible IBM PC/AT

Lorsque vous utilisez une souris USB et un appareil USB



À propos de la fonction USB

Lors du premier raccordement du projecteur à un ordinateur à l'aide du câble USB, l'ordinateur reconnaît automatiquement les périphériques suivants.

- 1 Hub USB (utilisation générique)
- 2 Périphérique d'interface utilisateur USB (fonction de souris sans fil)
- 3 Périphérique d'interface utilisateur USB (fonction de commande de projecteur)

L'ordinateur reconnaît également le périphérique raccordé au connecteur en aval du projecteur.

Systeme d'exploitation recommandé

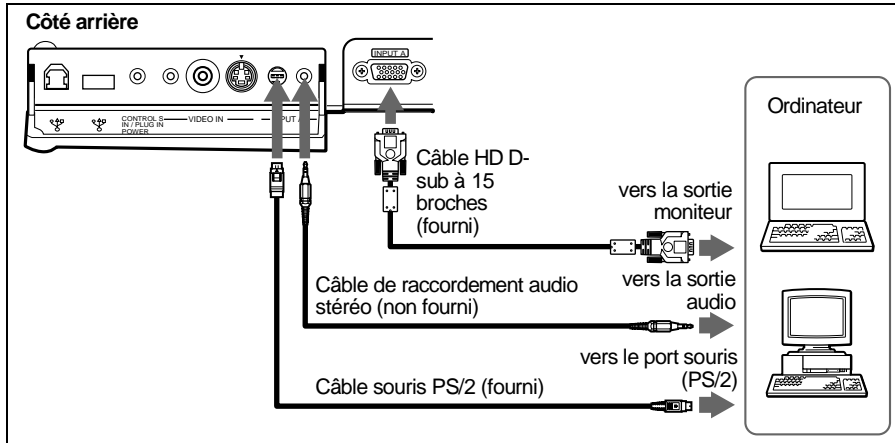
Si vous utilisez la fonction USB, raccordez votre ordinateur comme illustré ci-dessus.

Le logiciel d'application fourni et la fonction USB de ce projecteur peuvent être utilisés sur un ordinateur sur lequel Windows 98, Windows 98 SE ou Windows 2000 a été préinstallé.

Remarques

- Étant donné que le projecteur reconnaît la souris USB lorsque l'ordinateur est raccordé au connecteur USB, ne raccordez rien au port de souris PS/2.
- Il se peut que votre ordinateur ne démarre pas correctement lorsqu'il est raccordé au projecteur via le câble USB. Dans ce cas, déconnectez le câble USB, redémarrez l'ordinateur, puis raccordez l'ordinateur au projecteur en utilisant le câble USB.
- Ce projecteur ne garantit pas le mode de veille. Lorsque vous utilisez le projecteur en mode de veille, déconnectez le projecteur du port USB de l'ordinateur.
- Le fonctionnement n'est pas garanti pour tous les systèmes d'exploitation recommandés.

Lorsque vous utilisez un port souris PS/2



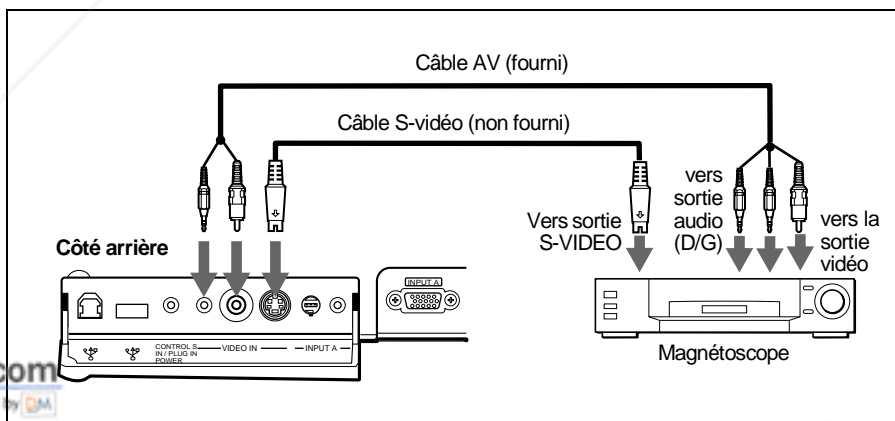
Raccordement à un ordinateur Macintosh

Utilisez un adaptateur de signal ADP-20 (non fourni). Dans ce cas, toutefois, vous ne pouvez pas commander la souris de l'ordinateur à l'aide de la télécommande.

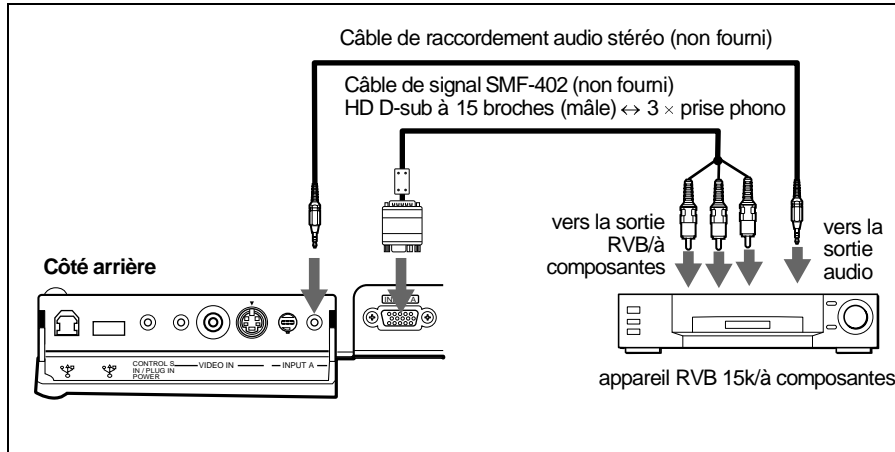
Raccordement à un magnétoscope ou à un appareil à signal RVB 15k/à composantes

Cette section décrit comment raccorder le projecteur à un magnétoscope et à un appareil RVB 15k/à composantes. Pour plus d'informations, reportez-vous au mode d'emploi de l'appareil que vous raccordez.

Raccordement à un magnétoscope



Raccordement à un appareil RVB 15k/à composantes



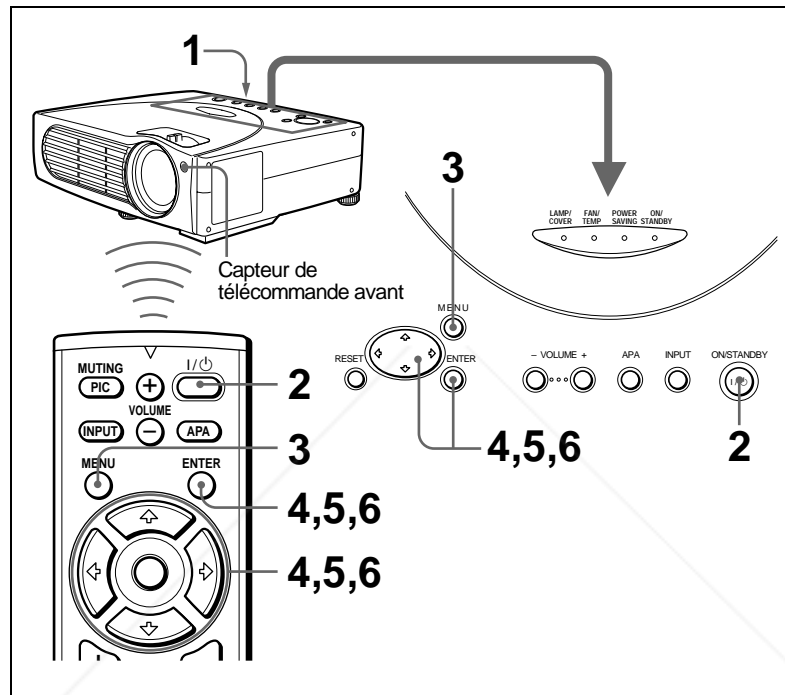
Installation et projection

Remarques

- Réglez le format de l'image à l'aide du paramètre FORMAT dans le menu REGL ENTREE en fonction du signal entré.
- Lors du raccordement du projecteur à un appareil vidéo RVB 15k/à composantes, sélectionnez le signal RVB ou à composantes au moyen de ENT. A dans le menu REGLAGE.
- Utilisez le signal de synchronisation composite lorsque vous entrez le signal de synchronisation externe d'un appareil RVB 15k/à composantes.

Sélection de la langue de menu

Vous pouvez sélectionner l'une des sept langues de menu et d'affichage sur écran. Le réglage par défaut est l'anglais.



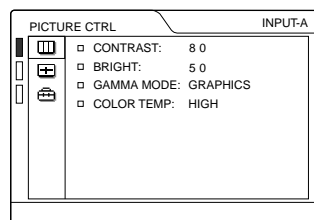
1 Raccordez le cordon d'alimentation secteur se trouvant à l'arrière du projecteur dans une prise murale.

2 Appuyez sur la touche I / $\text{\textcircled{P}}$ pour mettre le projecteur sous tension.

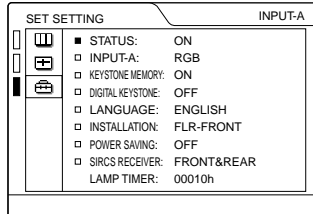
3 Appuyez sur la touche MENU.

Le menu apparaît.

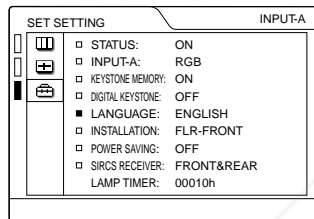
Le menu actuellement sélectionné est indiqué par un bouton jaune.



- 4 Appuyez sur la touche **↑** ou **↓** pour sélectionner le menu SET SETTING (REGLAGE), puis appuyez sur la touche **→** ou ENTER. Le menu sélectionné apparaît.



- 5 Appuyez sur la touche **↑** ou **↓** pour sélectionner "LANGUAGE" (LANGAGE), puis appuyez sur la touche **→** ou ENTER.



- 6 Appuyez sur la touche **↑** ou **↓** pour sélectionner une langue, puis appuyez sur la touche **←** ou ENTER. La langue du menu est remplacée par celle que vous avez sélectionnée.

Pour faire disparaître le menu

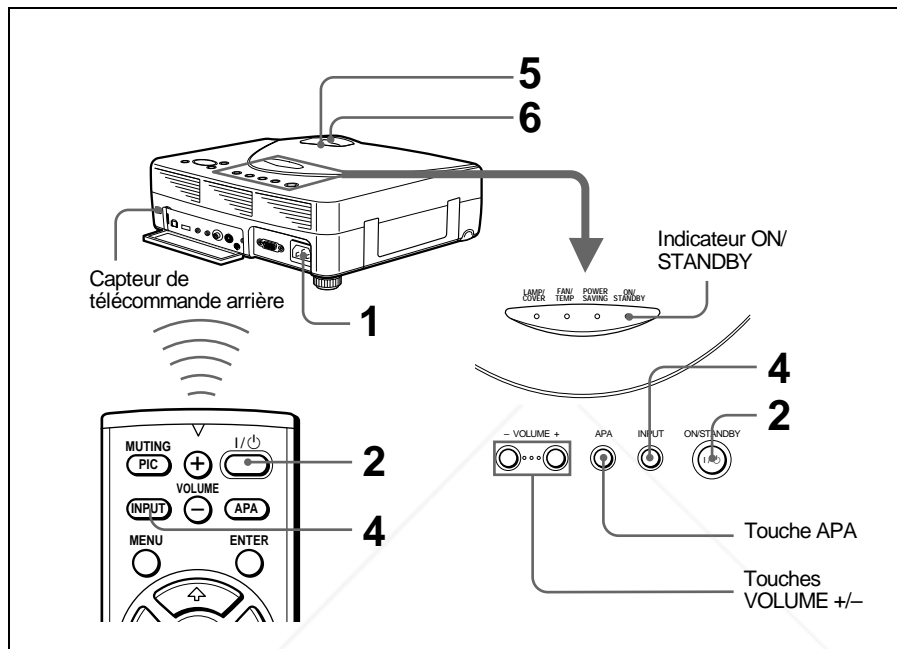
Appuyez sur la touche MENU.

Le menu disparaît automatiquement si aucune touche n'est actionnée pendant une minute.



Installation et projection

Projection



- 1 Branchez le cordon d'alimentation secteur se trouvant à l'arrière du projecteur dans une prise murale, puis raccordez tous les équipements. L'indicateur ON/STANDBY s'allume en rouge et le projecteur passe en mode de veille.
- 2 Appuyez sur la touche I / ⏻.
L'indicateur ON/STANDBY s'allume en vert.
- 3 Mettez sous tension l'appareil raccordé au projecteur.
- 4 Appuyez sur la touche INPUT pour sélectionner la source d'entrée.

Pour une entrée depuis	Appuyez sur INPUT pour afficher
Ordinateur raccordé au connecteur INPUT A	INPUT A
Appareil vidéo raccordé au connecteur d'entrée VIDEO	VIDEO
Appareil vidéo raccordé au connecteur d'entrée S VIDEO	S VIDEO

- 5 Tournez la bague de zoom pour ajuster la taille de l'image.
- 6 Tournez la bague de mise au point pour régler la netteté de l'image.

Attention

Ne regardez pas vers l'objectif en cours de projection car vous risquez de vous blesser aux yeux.

Pour régler le volume

Appuyez sur les touches VOLUME +/- . Le volume peut être réglé pour chaque entrée INPUT A, VIDEO et S VIDEO.

Pour couper l'image

Appuyez sur la touche MUTING PIC de la télécommande.
Pour restaurer l'image, appuyez à nouveau sur la touche MUTING PIC.

Pour commander l'ordinateur à l'aide de la télécommande fournie

Lorsque vous raccordez un ordinateur compatible IBM PC/AT au projecteur, vous pouvez commander la souris de l'ordinateur à l'aide de la télécommande. Les touches R/L CLICK et la manette de commande fonctionnent comme suit.

Touche et manette de commande	Fonction
R CLICK (avant)	Bouton de droite
L CLICK (arrière)	Bouton de gauche
Manette de commande	Correspond aux mouvements de la souris

Remarque

Assurez-vous qu'aucun obstacle ne perturbe la transmission du faisceau infrarouge entre la télécommande et le capteur de télécommande du projecteur.

Pour obtenir l'image optimale

Vous pouvez obtenir une image optimale lorsque le signal d'un ordinateur est transmis.

- 1 Projetez une image fixe de l'ordinateur.
- 2 Appuyez sur la touche APA.
"Effectué!" apparaît à l'écran lorsque l'image est ajustée correctement.

Remarques

- Appuyez sur la touche APA lorsque l'image est affichée intégralement à l'écran. S'il y a des bords noirs autour de l'image, la fonction APA ne sera pas opérante correctement et l'image risque de déborder de l'écran.
- Si vous commutez le signal d'entrée ou rebranchez un ordinateur, appuyez de nouveau sur la touche APA pour obtenir l'image adéquate.



Installation et projection

- Vous pouvez annuler l'ajustement en appuyant de nouveau sur la touche APA pendant que l'indication "REGLAGE" apparaît à l'écran.
- Il se peut que l'image ne soit pas réglée correctement en fonction des types de signaux entrés.
- Réglez les paramètres dans le menu REGL ENTREE lorsque vous ajustez l'image manuellement.

Pour mettre le projecteur hors tension

- 1 Appuyez sur la touche I / ⏻.
"METTRE HORS TENSION? Appuyez de nouveau sur la touche I / ⏻." apparaît pour vous demander de confirmer la mise hors tension.

Remarque

Le message disparaît si vous appuyez sur une touche quelconque autre que la touche I / ⏻ ou si vous n'appuyez sur aucune touche pendant cinq secondes.

- 2 Appuyez de nouveau sur la touche I / ⏻.
L'indicateur ON/STANDBY clignote en vert et le ventilateur continue de tourner pendant environ 60 secondes pour réduire la chaleur interne.
L'indicateur ON/STANDBY clignote rapidement pendant les 30 premières secondes. Pendant ce temps, vous ne pouvez pas allumer l'indicateur ON/STANDBY à l'aide de la touche I / ⏻.
- 3 Débranchez le cordon d'alimentation de la prise secteur après que le ventilateur s'est arrêté de tourner et l'indicateur ON/STANDBY s'allume en rouge.

Si vous ne pouvez pas confirmer le message à l'écran

Si vous ne pouvez pas confirmer le message affiché à l'écran dans certaines conditions, vous pouvez mettre le projecteur hors tension en maintenant la touche I / ⏻ enfoncée pendant environ une seconde.

Remarque

Ne débranchez pas le cordon d'alimentation pendant que le ventilateur tourne, faute de quoi le ventilateur cessera de tourner même si la température à l'intérieur du projecteur est toujours élevée, ce qui peut entraîner une panne du projecteur.

Filtre à air

Pour maintenir des performances optimales, **nettoyez le filtre à air toutes les 300 heures.**

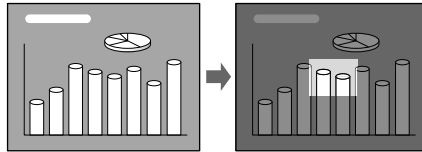
Des outils efficaces pour vos présentations

Pour agrandir l'image (fonction Digital Zoom)

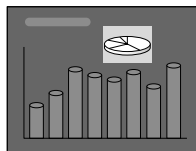
Vous pouvez sélectionner un point dans l'image à agrandir.

- 1 Projetez l'image à sa taille originale et appuyez sur la touche D ZOOM + de la télécommande.

Une des images divisées en 16 est mise en surbrillance au centre de l'image.

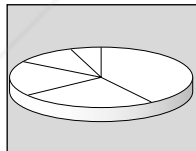


- 2 Déplacez la partie en surbrillance sur le point que vous voulez agrandir en utilisant les touches fléchées (↑/↓/←/→).

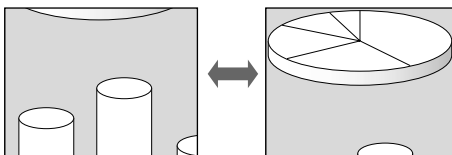


- 3 Appuyez de nouveau sur la touche D ZOOM + .

La partie en surbrillance affichée à l'étape 2 est agrandie. En appuyant sur la touche + plusieurs fois, la taille de l'image augmente (rapport d'agrandissement: max. 4 fois).



Utilisez les touches fléchées (↑/↓/←/→) pour faire défiler l'image agrandie.



Pour restaurer la taille originale de l'image

Appuyez sur la touche D ZOOM – de la télécommande. En appuyant sur la touche RESET (ZOOM) l'image revient immédiatement à sa taille originale.

Installation et projection

► Réglages à l'aide du menu

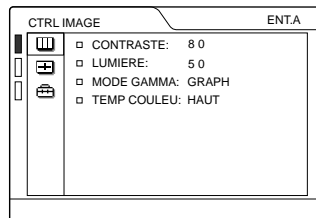
Utilisation du MENU

Le projecteur est équipé d'un menu sur écran permettant d'effectuer divers réglages. Vous pouvez modifier la langue de menu affichée à l'écran.

Pour modifier la langue de menu, voir "Sélection de la langue de menu", à la page 18.

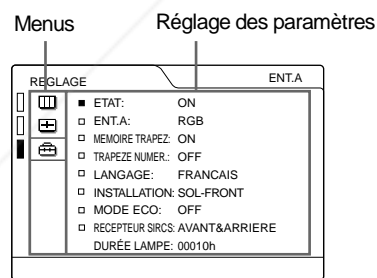
1 Appuyez sur la touche MENU.

Le menu apparaît.
Le menu actuellement sélectionné est indiqué par un bouton jaune.



2 Utilisez la touche ↑ ou ↓ pour sélectionner un menu, puis appuyez sur la touche → ou ENTER.

Le menu sélectionné apparaît.



3 Sélectionnez un paramètre. Appuyez sur la touche ↑ ou ↓ pour sélectionner un paramètre, puis appuyez sur la touche → ou ENTER.

4 Procédez au réglage ou à l'ajustement d'un paramètre.

- Lors de la modification d'un niveau de réglage:
Pour augmenter le nombre, appuyez sur la touche ↑ ou →.
Pour diminuer le nombre, appuyez sur la touche ↓ ou ←.
Appuyez sur la touche ENTER pour restaurer l'écran d'origine.
- Lors de la modification du réglage :
Appuyez sur la touche ↑ ou ↓ pour modifier le réglage.
Appuyez sur la touche ENTER ou ← pour revenir à l'écran d'origine.

Pour faire disparaître le menu

Appuyez sur la touche MENU.
Le menu disparaît automatiquement si aucune touche n'est actionnée pendant une minute.

Pour réinitialiser les paramètres qui viennent d'être réglés

Appuyez sur la touche RESET.
"Effectué!" apparaît à l'écran et les réglages affichés sur l'écran sont restaurés à leur valeur par défaut.

Les paramètres pouvant être réinitialisés sont:

- "CONTRASTE", "LUMIERE", "COULEUR", "TEINTE" et "NETTETE" dans le menu CTRL IMAGE
- "PHASE", "AMPL." et "DEPL." dans le menu REGL ENTREE.
- "TRAPEZE NUMER." dans le menu REGLAGE.

À propos de la mémoire des réglages

Les réglages sont automatiquement sauvegardés dans la mémoire du projecteur.

Si aucun signal n'est entré

Si aucun signal n'est entré, "PAS D'ENTREE-Réglage impossible!" apparaît à l'écran.

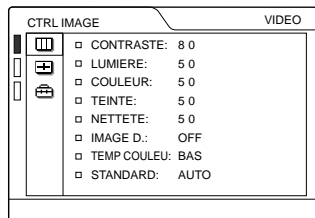
Le menu CTRL IMAGE

Le menu CTRL (contrôle) IMAGE sert à régler l'image.

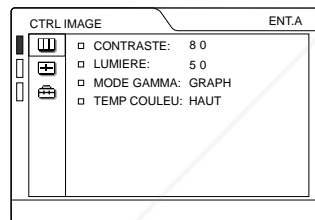
Les paramètres non réglables suivant le signal d'entrée ne sont pas affichés dans le menu.

Pour plus de détails sur les paramètres non réglables, voir page 41.

Lorsque le signal vidéo est entré



Lorsque le signal RVB est entré



Paramètres du menu

CONTRASTE

Ajuste le contraste de l'image. Plus la valeur de réglage est élevée, plus le contraste est important. Plus la valeur de réglage est basse, plus le contraste est faible.

LUMIERE

Ajuste la luminosité de l'image. Plus la valeur de réglage est élevée, plus la luminosité est importante. Plus la valeur de réglage est basse, plus l'image est sombre.

COULEUR

Ajuste l'intensité des couleurs. Plus la valeur de réglage est élevée, plus l'intensité des couleurs est importante. Plus la valeur de réglage est basse, plus l'intensité des couleurs est faible.

TEINTE

Ajuste la tonalité des couleurs. Plus la valeur de réglage est élevée, plus les tons d'image deviennent verdâtres. Plus la valeur de réglage est faible, plus les tons d'image deviennent violacés.

NETTETE

Ajuste la netteté de l'image. Plus la valeur de réglage est élevée, plus l'image est nette. Plus la valeur de réglage est basse, moins l'image est nette.

IMAGE D. (dynamique)

Renforce les couleurs noires.

ON: Accentue la couleur noire pour produire une image plus "dynamique".

OFF: Restitue fidèlement les zones noires de l'image conformément au signal source.

MODE GAMMA

Sélectionne une courbe de correction gamma.

GRAPH: Améliore la reproduction des demi-teintes. Les photos peuvent être reproduites avec des tons naturels.

TEXTE: Souligne le contraste entre le noir et le blanc. Convient aux images comportant beaucoup de texte.

TEMP COULEU

Ajuste la température des couleurs.

HAUT: Rend les blancs plus bleuâtres.

BAS: Rend les blancs plus rougeâtres.



Réglages à l'aide du menu

STANDARD (système couleur)

Sélectionne le système de couleur du signal d'entrée.

- **AUTO** : NTSC_{3.58}, PAL, SECAM et NTSC_{4.43} (commutation automatique)
- **PAL-M/N**: PAL-M/PAL-N and NTSC_{3.58} (commutation automatique)

En principe, mettez-le sur AUTO. Si l'image présente des distorsions ou est incolore, sélectionnez le système de couleur en fonction du signal d'entrée.

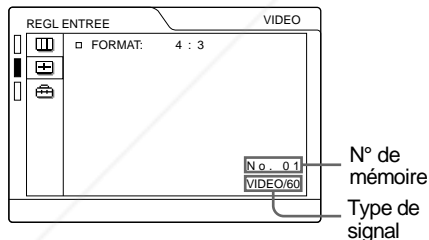
Le menu REGL ENTREE

Le menu REGL ENTREE sert au réglage du signal d'entrée.

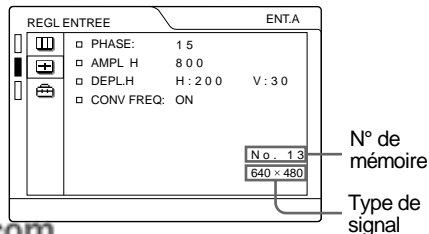
Les paramètres non réglables suivant le signal d'entrée ne sont pas affichés dans le menu.

Pour plus de détails sur les paramètres non réglables, voir page 41.

Lorsque le signal vidéo est entré



Lorsque le signal RVB est entré



Paramètres MENU

PHASE

Ajuste la phase des points du panneau LCD et du signal entré via le connecteur INPUT A.

Ajuste l'image encore plus finement après son réglage par pression de la touche APA. Règle l'image pour qu'elle apparaisse plus nette.

AMPL (dimension horizontale)

Ajuste la taille horizontale de l'image transmise par le connecteur INPUT A. Plus la valeur de réglage est élevée, plus la taille horizontale de l'image est grande. Plus la valeur de réglage est faible, moins la taille horizontale de l'image est grande. Ajustez le réglage en fonction des points du signal d'entrée.

Pour plus de détails sur la valeur adéquate pour les signaux présélectionnés, voir page 43.

DEPL (déplacement)

Ajuste la position de l'image transmise par le connecteur INPUT A. H règle la position horizontale de l'image. V règle la position verticale de l'image. Plus la valeur de H augmente, plus l'image se déplace vers la droite; plus la valeur diminue, plus l'image se déplace vers la gauche.

Plus la valeur de V augmente, plus l'image se déplace vers le haut; plus la valeur diminue, plus l'image se déplace vers le bas. Utilisez les touches ← ou → pour ajuster la position horizontale et les touches ↑ et ↓ pour la position verticale.

CONV FREQ (convertisseur de balayage)

Convertit le signal pour afficher l'image en fonction de la taille de l'écran.

ON : Affiche l'image en fonction de la taille de l'écran. L'image perd cependant un peu de clarté.

OFF : Affiche l'image en faisant correspondre un pixel d'élément d'image entré à un pixel de l'écran LCD. L'image affichée est claire, mais d'une taille inférieure.

Remarque

Cet élément ne sera pas affiché dans les cas suivants.
VPL-CS10: Lorsqu'un signal SVGA, XGA ou SXGA est reçu.
VPL-CX10: Lorsqu'un signal XGA ou SXGA est reçu.

FORMAT

Définit le format de l'image. Lors de l'entrée d'un signal 16:9 (compressée) à partir d'un appareil tel qu'un lecteur DVD, choisissez 16:9.

4:3: Lorsqu'une image de rapport d'écran 4:3 est entrée.

16:9: Lorsqu'une image de rapport d'écran 16:9 (compressée) est entrée.

À propos du n° de mémoire de présélection

Ce projecteur est doté de 37 types de données de présélection pour les signaux d'entrée transmis via ENT.A (la mémoire de présélection). Le numéro de mémoire du signal d'entrée en cours et le type de signal sont affichés lorsque le signal de présélection est entré. Le numéro de mémoire du signal d'entrée en cours et le type de signal sont affichés lorsque le signal de présélection est entré. Vous pouvez également ajuster les données de présélection via le menu REGL ENTREE. Ce projecteur est également doté de 20 types de mémoires utilisateur pour ENT.A, dans lesquelles vous pouvez sauvegarder le réglage des données réglées pour un signal d'entrée non présélectionné. Lorsqu'un signal non présélectionné est entré pour la première fois, le numéro de mémoire 00 s'affiche. Si le signal d'entrée est ajusté dans le menu REGL ENTREE, il sera affecté au projecteur. Si plus de 20 mémoires utilisateur sont affectées, la

mémoire la plus récente remplace toujours la plus ancienne.

Reportez-vous au tableau de la page e43 pour savoir si le signal est enregistré dans la mémoire de présélection.

Comme les données sont rappelées de la mémoire de présélection pour les signaux suivants, vous pouvez utiliser ces données présélectionnées en ajustant AMPL. Effectuez le réglage fin en ajustant DEPL.

Signal	N° de mémoire	AMPL (dimension horizontale)
Super Mac-2	23	1312
SGL-1	23	1320
Macintosh 19"	25	1328
Macintosh 21"	28	1456
Sony News	36	1708
PC-9821 1280 x 1024	36	1600
WS Sunmicro	37	1664

Remarque

Lorsque le format de l'image du signal d'entrée est différent de 4:3, une partie de l'écran s'affiche en noir.



Réglages à l'aide du menu



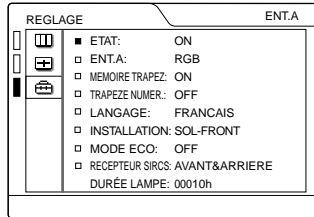
Discount-Merchant.com (800) 281-8860

THE TRUSTED SOURCE FOR PROJECTOR LAMPS AND ACCESSORIES

Le menu REGL ENTREE 27^{FR}

Le menu REGLAGE

Le menu REGLAGE est utilisé pour changer les réglages du projecteur.



Paramètres du menu

ETAT (affichage sur écran)

Règle l'affichage sur écran.

ON : Affichage de tous les affichages sur écran.

OFF : Désactive les affichages à l'exception des menus, du message d'indication de mise hors tension et des messages d'avertissement.

ENT. A

Sélectionne le signal RVB ou à composantes entré via le connecteur INPUT A.

Remarque

Si le réglage n'est pas correct, l'indication "Vérifiez le réglage ENT.A." apparaît à l'écran et les couleurs de l'image deviennent étranges ou l'image ne s'affiche pas.

MEMOIRE TRAPEZ

Mémoire des données ajustées avec TRAPEZE NUMER.

TRAPEZE NUMER.

Ajuste la distorsion trapézoïdale de l'image qui peut se produire en fonction de l'angle de projection.

Lorsque le bas du trapèze est plus long que le haut : Choisissez une valeur négative.

Lorsque le haut du trapèze est plus long que le bas Choisissez une valeur positive.

LANGAGE

Sélectionne la langue d'affichage du menu système et des écrans de menu. Les langues disponibles sont: anglais, français, allemand, italien, espagnol, japonais et chinois.

INSTALLATION

Pour inverser l'image horizontalement ou verticalement

SOL-FRONT: L'image n'est pas inversée.

PLAF-FRONT: L'image est inversée horizontalement ou verticalement

SOL-RETRO: L'image est inversée horizontalement.

PLAF-RETRO: L'image est inversée verticalement.

Remarque

Dans le cas de l'utilisation d'un miroir, attention à l'installation, car l'image risque d'être inversée.

MODE ECO

Lorsqu'il est réglé sur ON, le projecteur passe en mode d'économie d'énergie si aucun signal n'est entré pendant 10 minutes.

RECEPTEUR SIRCS

Sélectionne les capteurs de télécommande (récepteur SIRCS) à l'avant et à l'arrière du projecteur.

AVANT & ARRIERE: Active les capteurs avant et arrière.

AVANT: Active le capteur avant uniquement.

ARRIERE : Active le capteur arrière uniquement.

DUREE LAMPE

Indique le nombre total d'heures pendant lesquelles la lampe actuellement utilisée a fonctionné.

► *Entretien*

Entretien

Remplacement de la lampe

Lorsqu'il est temps de remplacer la lampe, ne tardez pas à la remplacer par une lampe pour projecteur LMP-C132.

Pour remplacer la lampe après avoir utilisé le projecteur

Mettez le projecteur hors tension et débranchez le cordon d'alimentation. Attendez au moins une heure que la lampe refroidisse.

Attention

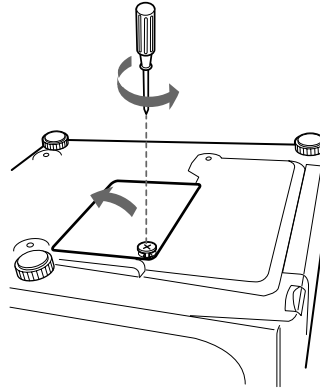
La lampe atteint une température très élevée après la mise hors tension du projecteur à l'aide de la touche I / ⏻. Si vous touchez la lampe, vous risquez de vous brûler les doigts. Pour remplacer la lampe, attendez au moins une heure que la lampe soit refroidie.

- 1 Placez une feuille de protection (textile) sous le projecteur. Retournez le projecteur de façon à ce que vous en aperceviez la base.

Remarque

Veillez à ce que le projecteur ne bascule pas après avoir été retourné.

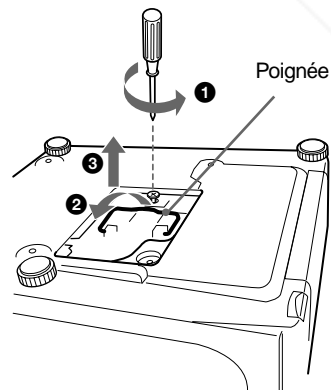
- 2 Ouvrez le couvercle de la lampe en dévissant la vis au moyen d'un tournevis cruciforme (fourni avec la lampe du projecteur LMP-C132).



Remarque

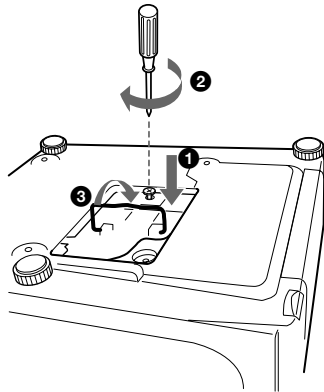
Par mesure de sécurité, ne desserrez pas d'autres vis.

- 3 Desserrez la vis du module de lampe à l'aide du tournevis cruciforme. Extrayez le module de lampe par la poignée.



Entretien

- 4 Introduisez la nouvelle lampe à fond jusqu'à ce qu'elle soit correctement en place. Serrez la vis. Repliez la poignée.



Remarques

- Veillez à ne pas toucher la surface en verre de la lampe.
- Le projecteur ne se met pas sous tension si la lampe n'est pas correctement installée.

- 5 Refermez le couvercle de la lampe et serrez les vis.
- 6 Retournez le projecteur.
- 7 Branchez le cordon d'alimentation et activez le projecteur en mode veille.
- 8 Appuyez sur chacune des touches suivantes du panneau de commande dans l'ordre indiqué pendant moins de cinq secondes: RESET, ←, →, ENTER.

Remarques

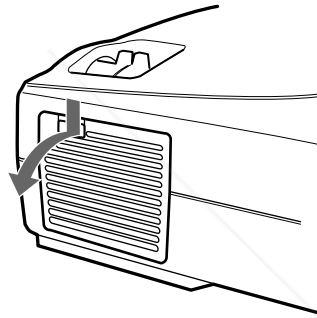
- Pour le remplacement, utilisez uniquement une lampe pour projecteur LMP-C132. Si vous utilisez une autre lampe, le projecteur risque de présenter une défaillance.
- Mettez le projecteur hors tension et débranchez le cordon d'alimentation avant de procéder au remplacement de la lampe.
- Introduisez pas les doigts à l'intérieur du logement de la lampe et veillez à ce qu'aucun

liquide ou objet n'y pénètre de manière à prévenir tout risque d'électrocution ou d'incendie.

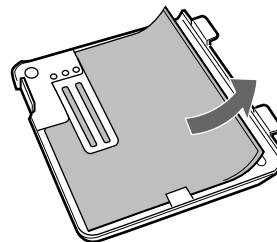
Nettoyage du filtre à air

Le filtre à air doit être nettoyé toutes les 300 heures. Quand il devient difficile d'éliminer la poussière du filtre, remplacez le filtre. Pour nettoyer le filtre à air, appliquez la procédure suivante:

- 1 Mettez le projecteur hors tension et débranchez le cordon d'alimentation.
- 2 Retournez le projecteur.



- 3 Ôtez le couvercle du filtre à air.



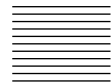
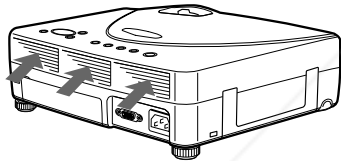
- 4 Éliminez la poussière du filtre à l'aide d'un aspirateur.
- 5 Remettez le couvercle en place.

Remarques

- Si le filtre à air est trop encrassé, nettoyez-le au moyen d'une solution détergente neutre et séchez-le dans un endroit ombragé. Si vous ne parvenez pas à éliminer la poussière, remplacez le filtre à air par le nouveau filtre fourni.
- Veillez à fixer le couvercle de filtre à air correctement, parce que le projecteur ne se mettra pas sous tension si le couvercle est mal refermé.
- Le filtre à air possède un côté avant et un côté arrière. Placez le filtre à air de sorte qu'il s'engage dans une rainure du couvercle du filtre à air.

Entretien des orifices de ventilation

Lors du entretien du filtre à air, nettoyez également les orifices de ventilation (prise d'air, arrière). Éliminez la poussière à l'extérieur des orifices de ventilation à l'aide d'un aspirateur.



Entretien

Guide de dépannage

Si le projecteur ne fonctionne pas correctement, essayez d'en déterminer la cause et remédiez au problème en vous référant aux instructions ci-dessous. Si le problème persiste, consultez le personnel qualifié Sony.

Alimentation

Symptôme	Cause et remède
Le projecteur ne se met pas sous tension.	<ul style="list-style-type: none"> • Le projecteur a été mis hors et sous tension à brefs intervalles à l'aide de la touche I / ⏻. → Attendez environ 60 secondes avant de mettre le projecteur sous tension. (voir page 22). • Le couvercle de la lampe est mal fixé. → Refermez correctement le couvercle de la lampe (voir page 29). • Le couvercle du filtre à air est mal fixé. → Refermez correctement le couvercle du filtre à air (voir page 30).
Les témoins LAMP/COVER et FAN/TEMP sont tous deux allumés.	<ul style="list-style-type: none"> • Le circuit électrique est défectueux. → Adressez-vous à un personnel qualifié Sony.

Image

Symptôme	Cause et remède
Pas d'image.	<ul style="list-style-type: none"> • Un câble est débranché ou les raccordements sont mal effectués. → Vérifiez si le raccordement a été effectué correctement (voir page 14). • L'image est coupée. → Appuyez sur la touche MUTING PIC pour annuler la fonction de sourdine (voir page 21). • La sélection d'entrée est incorrecte. → Sélectionnez correctement la source d'entrée à l'aide de la touche INPUT (voir page 20). • Le signal de l'ordinateur n'est pas défini pour sortir vers un moniteur externe. → Réglez le signal de l'ordinateur pour qu'il sorte vers un moniteur externe (voir page 14). • Le signal de l'ordinateur est défini pour sortir vers l'écran LCD de l'ordinateur et un moniteur externe. → Réglez le signal de l'ordinateur pour qu'il sorte uniquement vers un moniteur externe (voir page 14).
L'image comporte des parasites.	<ul style="list-style-type: none"> • Des parasites peuvent apparaître en arrière-plan suivant la combinaison du nombre de points entrés via le connecteur et du nombre de pixels du panneau LCD. → Changez la configuration sur l'ordinateur raccordé.
L'image via le connecteur INPUT A présente des couleurs anormales.	<ul style="list-style-type: none"> • Le réglage pour ENT.A dans le menu REGLAGE est incorrect. → Sélectionnez RVB ou COMPOSANT pour ENT.A dans le menu REGLAGE en fonction du signal d'entrée (voir page 28).

Symptôme	Cause et remède
“Vérifiez le réglage ENT.A.” apparaît même si le signal d’entrée correct est transmis via INPUT A.	<ul style="list-style-type: none"> Le réglage pour ENT.A dans le menu REGLAGE est incorrect. → Sélectionnez RVB ou COMPOSANT pour ENT.A dans le menu REGLAGE en fonction du signal d’entrée (voir page 28).
Pas d’affichage sur écran.	<ul style="list-style-type: none"> Le paramètre ETAT du menu REGLAGE est réglé sur OFF. → Réglez ETAT dans le menu REGLAGE sur ON (voir page 28).
La balance des couleurs est incorrecte.	<ul style="list-style-type: none"> L’image n’est pas correctement réglée. → Réglez l’image (voir page 25). Le projecteur est réglé sur le mauvais système couleur. → Réglez STANDARD dans le menu CTRL IMAGE pour qu’il corresponde au système couleur entré (voir page 26).
L’image est trop foncée.	<ul style="list-style-type: none"> Le contraste ou la luminosité n’est pas réglé correctement. → Réglez correctement le contraste ou la luminosité dans le menu CTRL IMAGE (voir page 25).
L’image n’est pas claire.	<ul style="list-style-type: none"> L’image n’est pas nette. → Réglez la mise au point de l’image (voir page 21). De la condensation s’est formée sur l’objectif. → Laissez le projecteur environ deux heures sous tension.
L’image apparaît trop petite à l’écran.	<ul style="list-style-type: none"> Le paramètre DEPL. du menu REGL ENTREE n’a pas été bien réglé. → Réglez correctement DEPL. dans le menu REGL ENTREE (voir page 26).
L’image tremblote.	<ul style="list-style-type: none"> Le paramètre PHASE du menu REGL ENTREE n’a pas été bien réglé. → Réglez correctement PHASE dans le menu REGL ENTREE (voir page 26).

Entretien

Son

Symptôme	Cause et remède
Pas de son.	<ul style="list-style-type: none"> Un câble est débranché ou les raccordements sont mal effectués. → Vérifiez si le raccordement a été effectué correctement (voir page 14).
Lorsque le son est transmis par le connecteur AUDIO, le son ne passe que par un seul canal.	<ul style="list-style-type: none"> Le son monaural est entré par le connecteur AUDIO. → Entrez un son stéréo.

Télécommande

Symptôme	Cause et remède
La télécommande ne fonctionne pas.	<ul style="list-style-type: none"> Les piles de la télécommande sont épuisées. → Remplacez les piles (voir page 12). Le capteur de télécommande avant/arrière est à proximité d’une lampe fluorescente. → Changez le réglage de RECEPTEUR SIRCS dans le menu REGLAGE (voir page 28).
La manette de commande, la touche R CLICK ou L CLICK ne fonctionne pas.	<ul style="list-style-type: none"> Le port souris de l’ordinateur ne reconnaît pas le câble de la souris. → Redémarrez l’ordinateur.

Divers

Symptôme	Cause et remède
L'indicateur LAMP/ COVER clignote.	<ul style="list-style-type: none"> Le couvercle de la lampe ou du filtre à air est mal fixé. → Fixez correctement le couvercle (voir page 29).
L'indicateur LAMP/ COVER s'allume.	<ul style="list-style-type: none"> La lampe a atteint la fin de sa durée de vie. → Remplacez la lampe (voir page 29). La lampe a atteint une température élevée. → Attendez 60 secondes que la lampe refroidisse et remettez le projecteur sous tension (voir page 22).
L'indicateur FAN/TEMP clignote.	<ul style="list-style-type: none"> Le ventilateur est défectueux. → Adressez-vous à un personnel qualifié Sony.
L'indicateur FAN/TEMP s'allume.	<ul style="list-style-type: none"> La température à l'intérieur du projecteur est anormalement élevée. → Vérifiez si les orifices de ventilation ne sont pas obstrués.
Les témoins LAMP/ COVER et FAN/TEMP sont tous deux allumés.	<ul style="list-style-type: none"> Le circuit électrique est défectueux. → Adressez-vous à un personnel qualifié Sony.

Messages d'avertissement

Consultez la liste ci-dessous pour connaître la signification des messages affichés à l'écran.

Message	Signification et remède
Surchauffe! Lampe OFF 1 min.	<ul style="list-style-type: none"> La température à l'intérieur du projecteur est trop élevée. → Mettez le projecteur hors tension. → Vérifiez si les orifices de ventilation ne sont pas obstrués.
Fréquence est hors limites!	<ul style="list-style-type: none"> Ce signal d'entrée ne peut être projeté car la fréquence est en-dehors de la plage compatible avec ce projecteur. → Entrez un signal dans la plage de fréquences compatible avec ce projecteur. Le réglage de la définition du signal de sortie de l'ordinateur est trop élevé. → Réglez la sortie sur SVGA (VPL-CS10) ou XGA (VPL-CX10) (voir page 14).
Vérifiez le réglage ENT.A.	<ul style="list-style-type: none"> Vous avez entré un signal RVB de l'ordinateur alors que ENT.A dans le menu REGLAGE est réglé sur COMPOSANT. → Réglez ENT.A correctement (voir page 28).

Messages de précaution

Consultez la liste ci-dessous pour connaître la signification des messages affichés à l'écran.

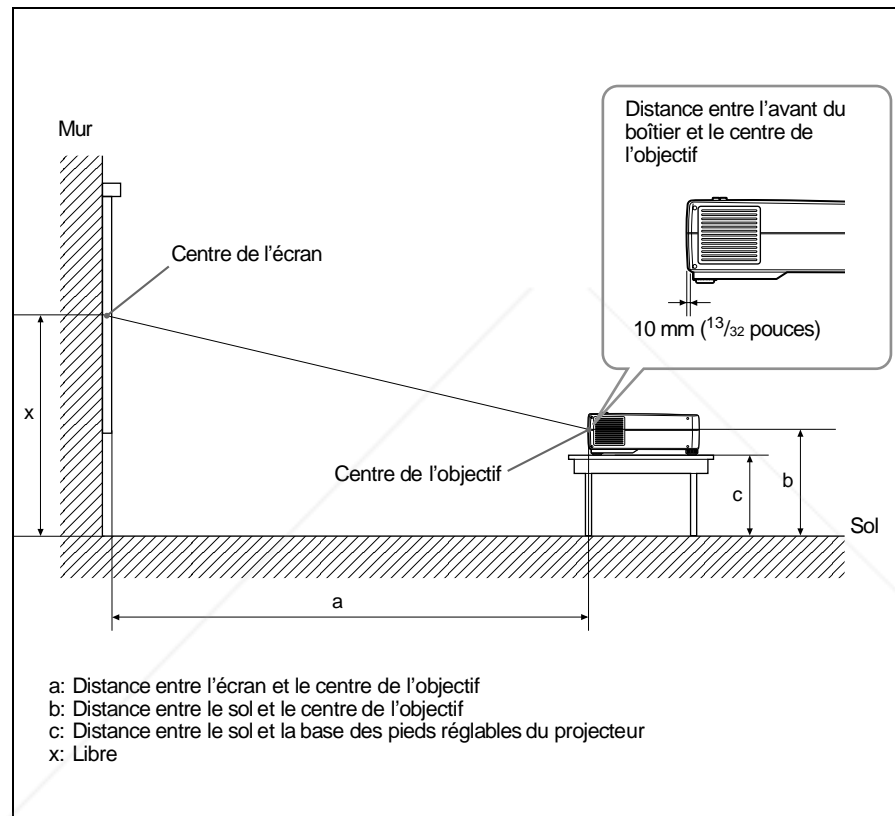
Message	Signification et remède
PAS D'ENTREE	<ul style="list-style-type: none"> Absence de signal d'entrée → Vérifiez les connexions (voir page 14).
Non applicable!	<ul style="list-style-type: none"> Vous avez appuyé sur la mauvaise touche. → Appuyez sur la touche appropriée.

► Divers

Exemple d'installation

Cette section décrit un exemple d'installation au sol. Les mesures d'installation peuvent varier en fonction du type de projecteur utilisé.

Installation au sol



Les mesures d'installation et la méthode utilisée pour les calculer sont données ci-dessous.

Les lettres du graphique et des méthodes de calcul indiquent les éléments suivants.

SS: taille de l'écran mesurée diagonalement (en pouces)

N: Minimum

M: Maximum

a: Distance entre l'écran et le centre de l'objectif

b: Distance entre le sol et le centre de l'objectif

c: Distance entre le sol et la base des pieds réglables du projecteur

x: Libre

VPL-CS10

Unité: mm (pouces)

SS	40	60	80	100	120	150	180	200	250	300	
a	N	1468 (58)	2235 (87 ^{7/8})	3001 (118 ^{1/8})	3768 (148 ^{1/2})	4534 (178 ^{3/8})	5684 (223 ^{3/4})	6833 (269)	7600 (299 ^{1/4})	9516 (374 ^{1/8})	11432 (450 ^{7/8})
	M	1771 (69 ^{3/4})	2688 (106)	3604 (141 ^{3/4})	4521 (178)	5437 (214 ^{1/4})	6812 (268 ^{1/4})	8186 (322 ^{1/2})	9103 (358 ^{3/8})	11394 (448 ^{1/2})	13685 (539 ^{7/8})
b	x-305 (12)	x-457 (18)	x-610 (24)	x-762 (30)	x-914 (36)	x-1143 (45)	x-1372 (54)	x-1524 (60)	x-1905 (75 ^{1/8})	x-2286 (90 ^{1/8})	
c	x-358 (14 ^{1/8})	x-511 (20 ^{1/8})	x-663 (26 ^{1/8})	x-816 (32 ^{1/8})	x-968 (38 ^{1/8})	x-1197 (47 ^{1/8})	x-1425 (56 ^{1/8})	x-1578 (62 ^{1/8})	x-1959 (77 ^{1/8})	x-2340 (92 ^{1/8})	

Méthode de calcul des mesures de l'installation (unité : mm)

a (minimum) = $\{(SS \times 33,8556/0,905512) - 63,2060\} \times 1,025$

a (maximum) = $\{(SS \times 42,5565/0,905512) - 63,1246\} \times 0,975$

b = x - (SS/0,905512 × 6,9)

c = x - (SS/0,905512 × 6,9 + 53,5)

VPL-CX10

Unité: mm (pouces)

SS	40	60	80	100	120	150	180	200	250	300	
a	N	1465 (58)	2230 (87 ^{7/8})	2996 (118 ^{1/8})	3761 (148 ^{1/8})	4526 (178 ^{3/8})	5674 (223 ^{3/8})	6822 (268 ^{2/8})	7587 (298 ^{7/8})	9500 (374 ^{1/8})	11413 (449 ^{3/8})
	M	1768 (69 ^{3/4})	2683 (105 ^{5/8})	3598 (141 ^{3/4})	4513 (177 ^{3/8})	5428 (213 ^{7/8})	6800 (267 ^{3/4})	8172 (321 ^{3/4})	9087 (358)	11375 (447 ^{1/4})	13662 (537 ^{1/8})
b	x-304 (12)	x-456 (18)	x-609 (24)	x-761 (30)	x-913 (36)	x-1141 (45)	x-1369 (54)	x-1521 (60)	x-1902 (74 ^{1/8})	x-2282 (89 ^{1/8})	
c	x-358 (14 ^{1/8})	x-510 (20 ^{1/8})	x-662 (26 ^{1/8})	x-814 (32 ^{1/8})	x-966 (38 ^{1/8})	x-1195 (47 ^{1/8})	x-1423 (56 ^{1/8})	x-1575 (62 ^{1/8})	x-1955 (77)	x-2336 (92)	

Méthode de calcul des mesures de l'installation (unité : mm)

a (minimum) = $\{(SS \times 33,8585/0,907087) - 63,6124\} \times 1,025$

a (maximum) = $\{(SS \times 42,5589/0,907087) - 63,3149\} \times 0,975$

b = x - (SS/0,907087 × 6,9)

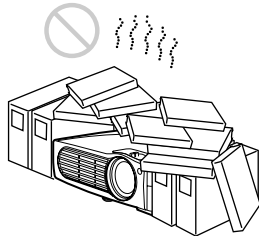
c = x - (SS/0,907087 × 6,9 + 53,5)

Remarques sur l'installation

Installation déconseillée

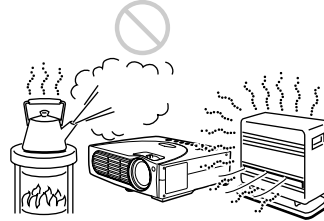
N'installez pas le projecteur dans les situations suivantes. Ces installations peuvent entraîner un dysfonctionnement ou causer des dommages au projecteur.

Mauvaise ventilation



- Assurez une circulation d'air adéquate afin d'éviter toute surchauffe interne. Ne placez pas l'appareil sur des surfaces textiles (tapis, couvertures, etc.) ni à proximité de tissus (rideaux, draperies) qui risquent d'obstruer les orifices de ventilation. Si la température intérieure augmente à la suite d'une obstruction des orifices de ventilation, le capteur de température s'active et le message "Surchauffe! Lampe OFF 1 min." s'affiche. Le projecteur se met alors automatiquement hors tension après une minute.
- Laissez un espace libre de plus de 30 cm (11 7/8 pouces) autour du projecteur.
- Veillez à ce que les orifices de ventilation n'aspirent pas de particules telles que des morceaux de papier.

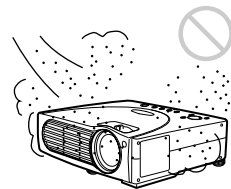
Exposition à la chaleur et à l'humidité



- N'installez pas l'appareil dans un endroit où la température ou l'humidité sont très élevées ou dans un endroit très froid.
- Pour éviter la condensation d'humidité, n'installez pas l'appareil dans un endroit où la température peut augmenter rapidement.

Endroit très poussiéreux

N'installez pas l'appareil dans un endroit très poussiéreux, faute de quoi le filtre à air va s'obstruer. La poussière obstruant le passage de l'air dans le filtre peut entraîner une augmentation de la température intérieure du projecteur. Nettoyez-le régulièrement.



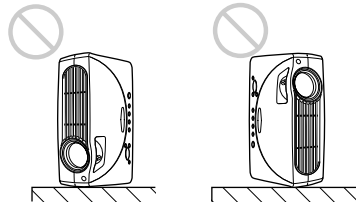
Divers

Positions déconseillées

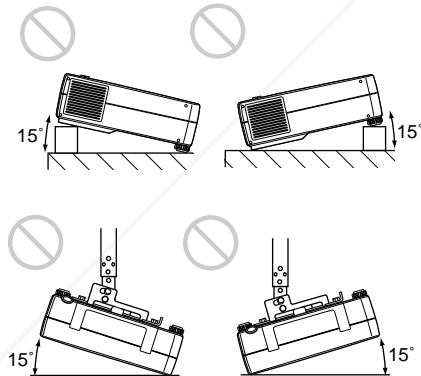
N'utilisez pas le projecteur dans les situations suivantes.

N'installez pas le projecteur sur son flanc

Évitez d'utiliser le projecteur dans une position qui pourrait entraîner un basculement. Car pourrait provoquer un dysfonctionnement.

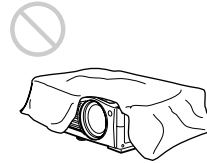


N'inclinez pas le projecteur plus de 15 degrés



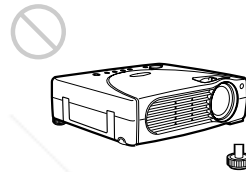
Ne faites pas fonctionner le projecteur s'il est incliné de plus de 15 degrés. De telles installations peuvent être à l'origine de dysfonctionnements.

Dégagez les orifices de ventilation



Ne recouvrez pas les orifices de ventilation du projecteur, faute de quoi une surchauffe interne risque de se produire.

Retrait des supports réglables



Évitez d'utiliser le projecteur si les supports réglables sont retirés. Le dégagement des orifices de ventilation peut provoquer une surchauffe interne.

Spécifications

Caractéristiques optiques

Système de projection	Système de projection à 3 panneaux LCD, 1 objectif
Panneau LCD	VPL-CS10: Panneau LCD TFT 0,9 pouce, 1.440.000 pixels (480.000 pixels × 3) VPL-CX10: Panneau LCD TFT 0,9 pouce avec ensemble de mini-lentilles, 2.359.296 pixels (786.432 pixels × 3)
Objectif	Zoom 1,3x f 33,6 à 42 mm/F 1,7 à 2,2
Lampe	UHP de 132 W
Dimensions de l'image projetée	Plage: 40 à 300 cm pouces (en diagonale)
Intensité lumineuse	VPL-CS10: ANSI lumen ¹⁾ 1000 lm VPL-CX10: ANSI lumen ¹⁾ 1200 lm
Distance de projection	VPL-CS10 (Lorsqu'un signal SVGA est envoyé) 40 pouces: 1468 à 1771 mm (57 7/8 à 69 3/4 pouces) 60 pouces: 2235 à 2688 mm (88 1/8 à 105 7/8 pouces) 80 pouces: 3001 à 3604 mm (118 3/16 à 142 pouces) 100 pouces: 3768 à 4521 mm (148 3/8 à 178 1/8 pouces) 120 pouces: 4534 à 5437 mm (178 3/8 à 214 1/8 pouces) 150 pouces: 5684 à 6812 mm (213 7/8 à 268 1/4 pouces) 180 pouces: 6833 à 8186 mm (269 1/8 à 322 3/8 pouces) 200 pouces: 7600 à 9103 mm (299 1/4 à 358 1/2 pouces) 250 pouces: 9516 à 11394 mm (374 3/4 à 448 3/4 pouces) 300 pouces: 11432 à 13685 mm (450 1/4 à 538 7/8 pouces) VPL-CX10 (Lorsqu'un signal XGA est envoyé) 40 pouces: 1465 à 1768 mm (57 3/4 à 69 5/8 pouces) 60 pouces: 2230 à 2683 mm (87 7/8 à 105 3/4 pouces) 80 pouces: 2996 à 3598 mm (118 à 141 3/4 pouces)

100 pouces: 3761 à 4513 mm (148 1/8 à 177 3/4 pouces)
120 pouces: 4526 à 5428 mm (178 1/4 à 213 3/4 pouces)
150 pouces: 5674 à 6800 mm (223 1/2 à 267 3/4 pouces)
180 pouces: 6822 à 8172 mm (268 5/8 à 321 7/8 pouces)
200 pouces: 7587 à 9087 mm (298 3/4 à 357 7/8 pouces)
250 pouces: 9500 à 11375 mm (374 1/8 à 448 pouces)
300 pouces: 11413 à 13662 mm (449 1/2 à 538 pouces)

1) La luminosité ANSI est une méthode de mesure
conforme à l'American National Standard IT
7.228.

Caractéristiques électriques

Système couleur	NTSC3.58/PAL/SECAM/ NTSC4.43/PAL-M/PAL-N, commutation automatique/ manuelle
Résolution	VPL-CS10: 600 lignes TV horizontales (entrée vidéo) 800 × 600 points (entrée RVB) VPL-CX10: 750 lignes TV horizontales (entrée vidéo) 1024 × 768 points (entrée RVB)
Signaux d'ordinateur compatibles	fH: 15 à 91 kHz fV: 43 à 85 Hz
Haut-parleur	Haut-parleurs stéréo, 36 mm (1 7/16 pouces) de diamètre, max. 0,5 W × 2



Entrée/sortie

VIDEO IN	S VIDEO: miniconnecteur DIN Y/C à 4 broches (mâle) Y (luminance): 1 Vcc ±2 dB de synchro négative (terminaison à 75 ohms) C (chrominance): salve 0.286 Vcc ±2 dB (NTSC) (terminaison à 75 ohms), salve 0,3 Vcc ±2 dB (PAL) (terminaison à 75 ohms) VIDEO: type phono Vidéo composite: 1 Vcc ±2 dB de synchro négative (terminaison à 75 ohms) AUDIO: Miniprise stéréo 500 mVrms, impédance supérieure à 47 kilohms
INPUT A	INPUT A: HD D-sub15-brôches (femelle)

RVB analogique/à composantes:
R/R-Y: 0,7 Vcc ±2 dB
(terminaison à 75 ohms)
G: 0,7 Vcc ±2 dB
(terminaison à 75 ohms)
G avec synchro/Y: 1 Vcc ±2 dB
synchro négative
(terminaison à 75 ohms)
B/B-Y: 0,7 Vcc ±2 dB
(terminaison à 75 ohms)
SYNC/HD:
Entrée synchro composite:
1-5 Vcc haute impédance,
positive/négative
Entrée synchro horizontale:
1-5 Vcc haute impédance,
positive/négative
VD:
Entrée synchro verticale:
1-5 Vcc haute impédance,
positive/négative
AUDIO: Miniprise stéréo
500 mVrms, impédance
supérieure à 47 kilohms
MOUSE: 6 broches (femelle)
(Pour plus de détails, voir
"Affectation des broches", à la
page 41.)
CONTROL S IN/PLUG IN POWER: Miniprise
stéréo 5 Vp-p, Alimentation CC
(5 V)
Hub USB: Envoi (type B: femelle) × 1
Réception (type A: femelle) × 1
Réglementation de sécurité:
UL1950, CSA No. 950, FCC
Classe B, IC Classe B
NEMKO EN60950, CE, C-Tick

Généralités

Dimensions 285 × 76 × 249,5 mm (11 1/4 ×
3 × 9 7/8 pouces) (l/h/p)
(sans les parties saillantes)
Poids Approx. 3,3 kg
Alimentation 100 à 240 V CA, 2,0 – 0,8A,
50/60 Hz
Consommation électrique
Max. 200 W
(Mode de veille: 4,2 W)
Dissipation de chaleur
682,5 BTU
Température de fonctionnement
0 à 35°C (32°F à 95°F)
Humidité de fonctionnement
35% à 85% (sans condensation)
Température de stockage
-20°C à 60°C (-4°F à 140°F)
Humidité de stockage
10% à 90%

Accessoires fournis

Télécommande RM-PJM10 (1)
Piles (R6) de taille AA (2)
Câble AV (1)
(1-757-350-11)
HD D-sub à 15 broches (2 m) (1)
(1-791-992-11)
Câble souris PS/2 (2 m) (1)
(1-792-424-11)
Câble USB de type A – de
type B (1)
(1-790-081-11)
Logiciel d'application (1)
Cordon d'alimentation (1)
Filtre à air
(pour remplacement) (1)
Mallette de transport (1)
Mode d'emploi (1)
Manuel d'installation pour les
revendeurs (1)
Carte de référence rapide (1)
Certificat de garantie (1)

La conception et les spécifications sont sujettes à
modifications sans préavis.

Accessoires en option

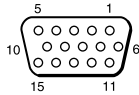
Lampe du projecteur
LMP-C132 (pour remplacement)
Câble de signal
SMF-402 (HD D-sub à 15 broches
(mâle) ↔ 3 × type phono
(mâle))
Câble de moniteur
SMF-410 (HD D-sub à 15 broches
(mâle) ↔ HD D-sub à 15
broches (mâle))
Adaptateur de signal
ADP-20 (Macintosh ↔ HD
D-sub à 15 broches)
Écrans
Écran portable de 50 pouces
VPS-50C¹⁾
Écran plat de 100 pouces
VPS-100FH

*Il est possible que certains de ces accessoires ne
soient pas disponibles dans certaines régions.
Pour plus de détails, veuillez consulter votre
revendeur Sony.*

1) Il se peut que l'écran VPS-50C ne soit pas
disponible dans toutes les régions. Pour plus de
détails, veuillez consulter votre revendeur
Sony.

Affectation des broches

Connecteur INPUT A (HD D-sub à 15 broches, femelle)



1	R/R-Y	9	N.C.
2	G/Y	10	GND
3	B/B-Y	11	GND
4	GND	12	N.C.
5	GND	13	HD/C.Sync
6	GND (R)	14	VD
7	GND (G)	15	N.C.
8	GND (B)		

Connecteur MOUSE (6 broches, femelle)



1	DATA
2	N.C.
3	GND
4	+5V
5	CLK
6	N.C.

Signaux d'entrée et paramètres réglables/de réglage

Menu CTRL IMAGE

Paramètre	Signal d'entrée			
	Vidéo ou S vidéo (Y/C)	Compo-sant	RVB	B&W
CONTRASTE	●	●	●	●
LUMIERE	●	●	●	●
COULEUR	●	●	-	-
TEINTE	● (NTSC 3.58/ 4.43 unique- ment)	-	-	-
NETTETE	●	●	-	●
IMAGE D.	●	●	-	●
MODE GAMMA	-	-	●	-
TEMP COULEU	●	●	●	●
STANDARD	●	-	-	●

● : Réglable/peut être réglé
- : Non réglable/ne peut être réglé

Divers

Menu REGL ENTREE

Paramètre	Signal d'entrée			
	Vidéo ou S vidéo (Y/C)	Compo- sant	RVB	B&W
PHASE	-	-	●	-
AMPL (dimension horizontale)	-	-	●	-
DEPL. (déplace- ment)	-	-	●	-
CONV FREQ	-	-	●	-
FORMAT	●	●	-	●

● : Réglable/peut être réglé
- : Non réglable/ne peut être réglé

Signaux présélectionnés

N° de mémoire	Signal présélectionné	fH (kHz)	fV (Hz)	Synchro	AMPL (dimension horizontale)	
1	Vidéo 60 Hz	15.734	59.940			
2	Vidéo 50 Hz	15.625	50.000			
3	RVB 15k/à composantes 60 Hz	15.734	59.940	S sur G/Y ou Composite Synchro		
4	RVB 15k/à composantes 50 Hz	15.625	50.000	S sur G/Y ou Composite Synchro		
6	640 × 350	VGA mode 1	31.469	70.086	H-pos, V-nég	800
7		VGA VESA 85 Hz	37.861	85.080	H-pos, V-nég	832
8	640 × 400	PC-9801 Normal	24.823	56.416	H-nég, V-nég	848
9		VGA mode 2	31.469	70.086	H-nég, V-pos	800
10		VGA VESA 85 Hz	37.861	85.080	H-nég, V-pos	832
11	640 × 480	VGA mode 3	31.469	59.940	H-nég, V-nég	800
12		Macintosh 13"	35.000	66.667	H-nég, V-nég	864
13		VGA VESA 72 Hz	37.861	72.809	H-nég, V-nég	832
14		VGA VESA 75 Hz	37.500	75.000	H-nég V-nég	840
15		VGA VESA 85 Hz	43.269	85.008	H-nég V-nég	832
16	800 × 600	SVGA VESA 56 Hz	35.156	56.250	H-pos, V-pos	1024
17		SVGA VESA 60 Hz	37.879	60.317	H-pos, V-pos	1056
18		SVGA VESA 72 Hz	48.077	72.188	H-pos, V-pos	1040
19		SVGA VESA 75 Hz	46.875	75.000	H-pos, V-pos	1056
20		SVGA VESA 85 Hz	53.674	85.061	H-pos, V-pos	1048
21	832 × 624	Macintosh 16"	49.724	74.550	H-nég, V-nég	1152
22	1024 × 768	XGA VESA 43 Hz	35.522	43.479	H-pos, V-pos	1264
23		XGA VESA 60 Hz	48.363	60.004	H-nég V-nég	1344
24		XGA VESA 70 Hz	56.476	70.069	H-nég V-nég	1328
25		XGA VESA 75 Hz	60.023	75.029	H-pos, V-pos	1312
26		XGA VESA 85 Hz	68.677	84.997	H-pos, V-pos	1376
27	1152 × 864	SXGA VESA 70 Hz	63.995	70.016	H-pos, V-pos	1472
28		SXGA VESA 75 Hz	67.500	75.000	H-pos, V-pos	1600
29		SXGA VESA 85 Hz	77.487	85.057	H-pos, V-pos	1568
30	1152 × 900	Sunmicro LO	61.795	65.960	H-nég, V-nég	1504
31		Sunmicro HI	71.713	76.047	H-nég, V-nég	1472

—————
—————
—————
—————
—————
Divers



Discount-Merchant.com (800) 281-8860

THE TRUSTED SOURCE FOR PROJECTOR LAMPS AND ACCESSORIES

N° de mémoire	Signal présélectionné		fH (kHz)	fV (Hz)	Synchro	AMPL (dimension horizontale)
32	1280 × 960	SXGA VESA 60 Hz	60.000	60.000	H-pos, V-pos	1800
33		SXGA VESA 75 Hz	75.000	75.000	H-pos, V-pos	1728
34	1280 × 1024	SXGA VESA 43 Hz	46.433	43.436	H-pos, V-pos	1696
35		SGI-5	53.316	50.062	S on G	1680
36		SXGA VESA 60 Hz	63.974	60.013	H-pos, V-pos	1696
37		SXGA VESA 75 Hz	79.976	75.025	H-pos, V-pos	1688
38		SXGA VESA 85 Hz	91.146	85.024	H-pos, V-pos	1012 (VPL-CS10) 1296 (VPL-CX10)

Remarque

Lorsqu'un signal autre que l'un de ceux présentés ci-dessus est entrée, l'image pourra ne pas apparaître correctement.

Avertissement relatif au raccordement secteur

Utilisez un cordon d'alimentation adéquat pour votre alimentation secteur locale.

	États-Unis, Canada		Europe continentale	Royaume-Uni, Irlande, Australie, Nouvelle-Zélande	Japon
Type de fiche	VM0233	290B	YP-12A	__ 1)	YP332
Extrémité femelle	VM0089	386A	YC-13B	VM0310B	YC-13
Type de cordon	SJT	SJT	H05VV-F	N13237/CO-228	VCTF
Tension & courant nominaux	10A/125V	10A/125V	10A/250V	10A/250V	7A/125V
Approbation de sécurité	UL/CSA	UL/CSA	VDE	VDE	DENTORI

Remarque

1) Utilisez une prise correspondant à la réglementation en vigueur dans votre région.

Index

A

- Accessoires en option40
- Accessoires fournis40
- Affectation des broches ..41
- Alimentation
 - mise sous tension20
- AMPL (dimension
 - horizontale)26

C

- Câble de souris
 - affectation des broches41
 - connexion16
- Capteur de télécommande
 - arrière7
 - avant7
 - réglage28
- Connecteur INPUT A10
 - affectation des broches41
- Connecteur souris10
 - affectation des broches41
- Connecteur USB10, 15
- Connexions
 - appareil à composantes16
 - magnétoscope16
 - ordinateur14
- CONTRASTE25
- CONV FREQ (convertisseur de balayage)26
- COULEUR25

D

- DEPL. (déplacement)26
- DUREE LAMPE28

E

- Emplacement et fonction des commandes
 - arrière/droit/bas7
 - avant/gauche7
 - panneau de commande9

- panneau des connecteurs10
- Télécommande11
- ENT. A28
- ETAT (affichage sur écran)28
- Exemple d'installation
 - Installation au sol35
 - positions déconseillées37
 - remarques37

F

- Filtre à air30
- Fonction Digital Zoom ..23
- FORMAT27

G

- Guide de dépannage32

I

- IMAGE D. (dynamique)25
- INSTALLATION28
- Installation du projecteur13

L

- LANGAGE28
 - sélection de la langue de menu18
- LUMIERE25

M

- MEMOIRE TRAPEZ28
- Menu
 - Menu CTRL
 - IMAGE25
 - menu REGL
 - ENTREE26
 - menu REGLAGE28
 - pour faire disparaître le menu24
 - utilisation du MENU ..24
- Menu CTRL IMAGE25
- Menu REGL ENTREE ..26
- Message
 - avertissement34
 - précaution34
- MODE ECO9, 28

- MODE GAMMA25

N

- NETTETE25

O

- Orifices de ventilation
 - prise d'air7
 - sortie d'air7

P

- PHASE26
- Pile
 - installation12
 - remarques12
- Poignée de transport8
- Précautions4

R

- RECEPTEUR
 - SIRCS7, 28
- Réglage
 - de l'image21, 25
 - de la taille/déplacement de l'image26
 - mémoire des réglages24
- Réinitialisation
 - paramètres réinitialisables24
 - réinitialisation du paramètre24
- Remplacement de la lampe29

S

- Spécifications39
- STANDARD (système couleur)26
- Support réglable7

T

- Taille d'écran13, 36, 39
- TEINTE25
- Télécommande
 - emplacement et fonction des commandes ...11
 - installation des piles ...12
- TEMP COULEU25
- TRAPEZE NUMER.28



Divers



Sponsored by DLP

Discount-Merchant.com (800) 281-8860

THE TRUSTED SOURCE FOR PROJECTOR LAMPS AND ACCESSORIES

ADVERTENCIA

Para evitar el riesgo de incendio o electrocución, no exponga la unidad a la lluvia ni a la humedad.

Para evitar recibir descargas eléctricas, no abra el aparato. Contrate exclusivamente los servicios de personal cualificado.

La toma de corriente debe encontrarse cerca del equipo y ser de fácil acceso.



Discount-Merchant.com (800) 281-8860
THE TRUSTED SOURCE FOR PROJECTOR LAMPS AND ACCESSORIES

ES 2

VPL-CS10/CX10
4-079-300-11 (1)

Contenido

Descripción general

Precauciones	4
Características	5
Ubicación y función de los controles	7
Lateral frontal/izquierdo	7
Lateral posterior/derecho/ inferior	7
Panel de control	9
Panel de conectores	10
Mando a distancia	11

Instalación y proyección

Instalación del proyector	13
Conexión del proyector	14
Conexión con un ordenador	14
Conexión con una videograbadora o con un equipo RGB de 15k/ componente	16
Selección del idioma del menú	18
Proyección	20
Herramientas efectivas para las presentaciones	23

Realización de ajustes mediante el menú

Uso del MENU	24
Menú CTRL IMAGEN	25
Menú AJUS ENTRAD	26
Menú AJUSTE	28

Mantenimiento

Mantenimiento	29
Sustitución de la lámpara	29
Limpieza del filtro de aire	30
Solución de problemas	32
Mensajes de aviso	34
Mensajes de precaución	35

Otros

Ejemplo de instalación	36
Notas sobre la instalación	38
Instalación inadecuada	38
Condiciones inadecuadas	39
Especificaciones	40
Índice	45

ES

► *Descripción general*

Precauciones

Seguridad


- Compruebe que la tensión de funcionamiento de la unidad sea la misma que la del suministro eléctrico local.
- Si se introduce algún objeto sólido o líquido en la unidad, desenchúfela y haga que sea revisada por personal especializado antes de volver a utilizarla.
- Desenchufe la unidad de la toma mural cuando no vaya a utilizarla durante varios días.
- Para desconectar el cable, tire del enchufe. Nunca tire del propio cable.
- La toma mural debe encontrarse cerca de la unidad y ser de fácil acceso.
- La unidad no estará desconectada de la fuente de alimentación de CA (toma de corriente) mientras esté conectada a la toma mural, aunque haya apagado la propia unidad.
- No mire al objetivo mientras la lámpara esté encendida.
- No coloque la mano ni objetos cerca de los orificios de ventilación. El aire que sale es caliente.
- Tenga cuidado de no pillarse los dedos con el ajustador cuando levante el proyector. No ejerza excesiva presión sobre la parte superior del proyector con el ajustador fuera.
- Instale el proyector en el suelo o en el techo. Si lo instala en otros lugares, se producirán fallos de funcionamiento, como irregularidad en el color o disminución de la duración de la lámpara.
- Para instalarlo en el techo, consulte con personal especializado Sony.

Iluminación

- Con el fin de obtener imágenes con la mejor calidad posible, la parte frontal de la pantalla no debe exponerse a la luz solar ni a iluminaciones directas.
- Se recomienda instalar una luz proyectora en el techo. Cubra las lámparas fluorescentes para evitar la disminución de la relación de contraste.

- Cubra con tela opaca las ventanas que estén orientadas hacia la pantalla.
- Es recomendable instalar el proyector en una sala cuyo suelo y paredes no se compongan de materiales que reflejen la luz. Si el suelo y las paredes se componen de dicho tipo de material, se recomienda cambiar el color de éstos por uno oscuro.

Prevención del calentamiento interno

Después de desactivar la alimentación con la tecla I / , no desconecte la unidad de la toma mural mientras el ventilador de enfriamiento se encuentre en funcionamiento.

Precaución

El proyector está equipado con orificios de ventilación de aspiración y de exhaustación. No bloquee dichos orificios ni coloque nada cerca de ellos, ya que si lo hace puede producirse recalentamiento interno, causando el deterioro de la imagen o daños al proyector.

Limpieza

- Para mantener el exterior como nuevo, límpielo periódicamente con un paño suave. Las manchas persistentes pueden eliminarse con un paño ligeramente humedecido en una solución detergente poco concentrada. No utilice nunca disolventes concentrados, como diluyente, bencina o limpiadores abrasivos, ya que dañarán el exterior.
- Evite tocar el objetivo. Utilice un paño seco y suave para eliminar el polvo del objetivo. No utilice un paño húmedo, soluciones detergentes ni diluyentes.
- Limpie el filtro con regularidad.

Embalaje

- Guarde la caja y los materiales de embalaje originales, ya que resultarán útiles cuando tenga que embalar la unidad. Para obtener una máxima protección, vuelva a embalar la unidad cómo fue embalada originalmente en fábrica.



Discount-Merchant.com (800) 281-8860

THE TRUSTED SOURCE FOR PROJECTOR LAMPS AND ACCESSORIES

Proyector LCD

- El proyector LCD está fabricado con tecnología de alta precisión. No obstante, es posible que se observen pequeños puntos negros y/o brillantes (rojos, azules o verdes) de forma continua en dicho proyector. Se trata de un resultado normal del proceso de fabricación y no indica fallo de funcionamiento.

Características

Alta portabilidad

- **Peso ligero y tamaño reducido**

El peso de este proyector se ha reducido a aproximadamente 3,3 kg (7lb 4oz), así como a tamaño de archivo A4.

Igualmente, el proyector dispone de un asa de transporte con el fin de poder transportarlo fácilmente con el ordenador.

Reducción de ruido

El ruido se ha reducido, gracias al nuevo mecanismo de enfriamiento que el proyector emplea.

Alto brillo y alta calidad de imagen

- **Alto brillo**

La adopción del sistema óptico de reciente creación y la lámpara UHP de 132 W, permiten obtener un alto brillo (VPL-CS10: salida de luz de 1000 ANSI lumen, VPL-CX10: salida de luz de 1200 ANSI lumen) y una excelente uniformidad en la imagen.

- **Alta resolución**

VPL-CS10

Los tres paneles SVGA de unos 480.000 píxeles y de 0,9 pulgadas proporcionan una resolución de 800 × 600 puntos para la entrada RGB y 600 líneas de TV horizontales para la entrada de vídeo.

VPL-CX10

Los tres paneles XGA de unos 790.000 píxeles y de 0,9 pulgadas proporcionan una resolución de 1024 × 768 puntos para la entrada RGB y 750 líneas de TV horizontales para la entrada de vídeo.

Configuración sencilla

- **Configuración sencilla con equipos externos**

Este proyector está predefinido para 37 tipos de señales de entrada. Es posible proyectar imágenes desde una fuente de señales externa mediante la simple conexión del equipo con el cable suministrado y la pulsación de la tecla APA.



Descripción general

- **Compatible con la función hub USB (Bus serie universal)**

Puede conectar un equipo USB (p.ej., un ratón) al proyector, y también controlar éste mediante el software de aplicación (CD-ROM) suministrado con el mismo a través de un ordenador con Windows 98, Windows 98 SE o Windows 2000. El uso de dicho software de aplicación permite abrir el archivo que desee utilizar para realizar presentaciones con el mando a distancia suministrado.

Presentación fácil

- **Mando a distancia multifuncional con funciones de control de ratón**

Es posible emplear un ordenador conectado a este proyector con el mando a distancia, ya que la unidad dispone de un receptor de ratón incorporado.

- **Teclas ZOOM digital y FUNCTION en el mando a distancia**

El ZOOM digital permite mejorar las presentaciones ampliando la imagen hacia una panorámica de detalle. Puede asignar un archivo de presentación a las teclas FUNCTION mediante el software de aplicación (CD-ROM) suministrado con el proyector. El archivo se abrirá de forma inmediata con sólo pulsar la tecla FUNCTION.

Admisión de distintas señales de entrada

- **Convertidor de exploración incorporado**

Este proyector dispone de un convertidor de exploración incorporado que convierte la señal de entrada a 800 × 600 puntos (VPL-CS10) o 1024 × 768 puntos (VPL-CX10).

- **Señales de entrada compatibles**

Este proyector admite señales de vídeo compuestas, S vídeo y de componente, así como RGB de 15k, VGA, SVGA, XGA y SXGA, pudiendo mostrar todas ellas.

- **Compatible con seis sistemas de color**

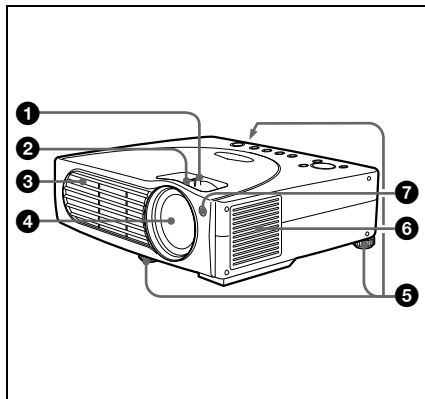
Es posible seleccionar automática o manualmente el sistema de color NTSC, PAL, SECAM, NTSC^{4.43}¹⁾, PAL-M o PAL-N.

- Windows es una marca comercial registrada de Microsoft Corporation en Estados Unidos y/o en otros países.
- VGA, SVGA, XGA y SXGA son marcas comerciales registradas de International Business Machines Corporation, EE.UU.
- Macintosh es una marca comercial registrada de Apple Computer, Inc.
- IBM PC/AT es una marca comercial registrada de International Business Machines Corporation, EE.UU.
- VESA es una marca comercial registrada de Video Electronics Standard Association.
- Display Data Channel (Canal de datos de visualización) es una marca comercial de Video Electronics Standard Association.
- PC-98 es una marca comercial de NEC Corporation.

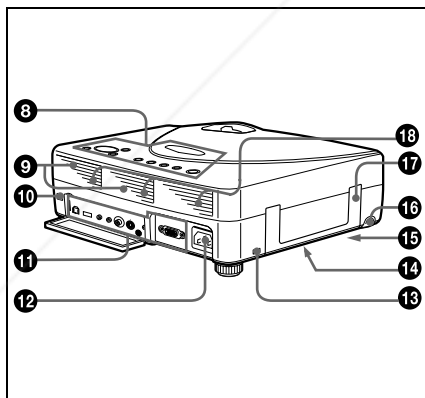
1) NTSC^{4.43} es el sistema de color utilizado para reproducir vídeos grabados en NTSC en una videograbadora de sistema NTSC^{4.43}.

Ubicación y función de los controles

Lateral frontal/izquierdo



Lateral posterior/derecho/inferior



1 Anillo de zoom

Ajusta el tamaño de la imagen.

2 Anillo de enfoque

Ajusta el enfoque de la imagen.

3 Orificios de ventilación (exhaustación)

4 Objetivo

5 Ajustador

Si la imagen se proyecta fuera de la pantalla, ajuste dicha imagen mediante este ajustador.

Para más información sobre cómo utilizar los ajustadores, consulte "Cómo utilizar el ajustador" en la página 8.

6 Orificios de ventilación (aspiración)/cubierta del filtro de aire

Notas

- No coloque nada cerca de los orificios de ventilación, ya que puede producirse recalentamiento interno.
- No coloque la mano ni objetos cerca de los orificios de ventilación, ya que el aire que sale puede producir recalentamiento.
- Para mantener un rendimiento óptimo, **limpie el filtro de aire cada 300 horas.**

7 Detector frontal de control remoto (receptor SIRCS)

8 Panel de control

Para más información, consulte "Panel de control" en la página 9.

9 Altavoces

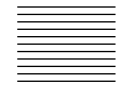
10 Detector posterior de control remoto (receptor SIRCS)

11 Panel de conectores

Para más información, consulte "Panel de conectores" en la página 10.

12 Clavija AC IN

Conecta el cable de alimentación de CA suministrado.



Descripción general

13 Bloqueo de seguridad

Se conecta a un cable opcional de seguridad (Kensington).

El bloqueo de seguridad corresponde al sistema de seguridad MicroSaver de Kensington.

Si desea realizar algún comentario, póngase en contacto:

Kensington
2853 Campus Drive
San Mateo, CA 94403
EE.UU.
Teléfono: 800-535-4242:
extensión 3348

Dirección en Internet:
<http://www.kensington.com/>

14 Orificios de ventilación (aspiración, parte inferior)

15 Cubierta de la lámpara (parte inferior)

16 Botón RELEASE (ajuste del ajustador)

Para más información, consulte "Cómo utilizar el ajustador" en la página 8.

17 Asa de transporte

Tire del asa hacia arriba para transportar el proyector.

18 Orificios de ventilación (aspiración, parte posterior)

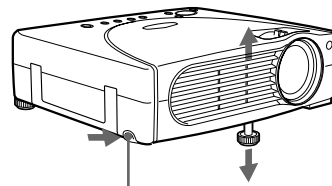
Cómo utilizar el ajustador

Para ajustar la altura

Ajuste la altura del proyector de la siguiente forma:

1 Levante el proyector y pulse el botón RELEASE.

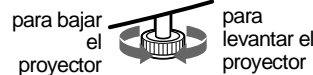
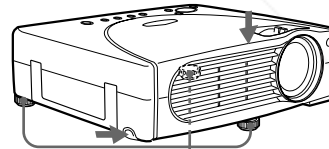
El ajustador se extenderá.



Botón RELEASE

2 Baje el proyector mientras pulsa el botón. A continuación, deje de pulsar el botón.

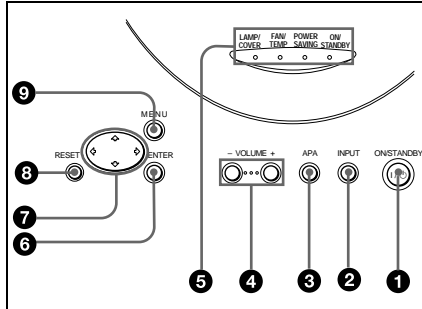
Para realizar ajustes con precisión, gire los ajustadores a la derecha y la izquierda.



Notas

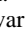
- No extraiga los ajustadores del proyector. No utilice el proyector sin los ajustadores.
- Tenga cuidado de no dejar caer el proyector sobre los dedos.
- No ejerza excesiva presión sobre la parte superior del proyector con los ajustadores fuera.

Panel de control



1 Tecla I / (ON/STANDBY)

Enciende y apaga el proyector cuando éste se encuentra en el modo de espera. El indicador ON/STANDBY se iluminará en verde al activar la alimentación.

Para desactivar la alimentación, pulse la tecla I /  dos veces siguiendo el mensaje en pantalla, o pulse y mantenga pulsada la tecla durante un segundo aproximadamente.

Para más información sobre los pasos para desactivar la alimentación, consulte "Para desactivar la alimentación" en la página 22.

2 Tecla INPUT

Selecciona la señal de entrada. Cada vez que pulse la tecla, la señal de entrada cambiará de la siguiente forma:




3 Tecla APA (Alineación automática de píxeles)

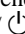
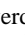
Permite obtener la imagen más nítida posible de forma automática al introducir una señal de un ordenador.

4 Teclas VOLUME +/-

Ajustan el volumen de los altavoces incorporados.

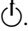
FixYourDLP.com: Aumenta el volumen.
Sponsored by : Disminuye el volumen.

5 Indicadores

- **LAMP/COVER:** Se ilumina o parpadea en las siguientes condiciones:
 - Se ilumina cuando la lámpara llega al final de su duración o cuando alcanza una temperatura alta.
 - Parpadea cuando la cubierta de la lámpara o la del filtro de aire no está firmemente asegurada.
- **FAN/TEMP (Temperatura):** Se ilumina o parpadea en las siguientes condiciones:
 - Se ilumina cuando la temperatura del interior del proyector es inusualmente alta.
 - Parpadea cuando el ventilador está averiado.
- **POWER SAVING:** Se ilumina cuando el proyector se encuentra en el modo de ahorro de energía. Si AHORRO ENERGIA del menú AJUSTE está ajustado en SI, el proyector entrará en el modo de ahorro de energía si no se introduce ninguna señal durante 10 minutos. Aunque la lámpara se apague, el ventilador de enfriamiento seguirá funcionando. En el modo de ahorro de energía, no funciona ninguna tecla durante los primeros 30 segundos. Dicho modo se cancelará al introducirse alguna señal o al pulsar cualquier tecla.
- **ON/STANDBY:** Se ilumina o parpadea en las siguientes condiciones:
 - Se ilumina en rojo al enchufar el cable de alimentación de CA en una toma mural. Una vez en el modo de espera, podrá encender el proyector con la tecla I / .
 - Se ilumina en verde cuando la alimentación está activada.
 - Parpadea en verde mientras el ventilador de enfriamiento funciona tras desactivar la alimentación con la tecla I / . El ventilador funciona durante unos 60 segundos tras desactivar la alimentación. El indicador ON/STANDBY parpadea rápidamente durante los primeros 30 segundos. Durante este espacio de tiempo, el indicador ON/



Descripción general

STANDBY no puede encenderse con la tecla I / .

Para más información sobre los indicadores LAMP/COVER y FAN/TEMP, consulte la página 34.

6 Tecla ENTER

Introduce los ajustes de los elementos del sistema de menú.

7 Teclas de flecha (↑/↓/←/→)

Seleccionan el menú o permiten realizar diversos ajustes.

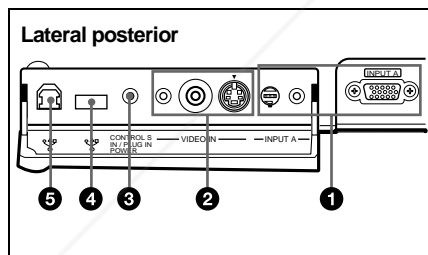
8 Tecla RESET

Permite recuperar el valor ajustado en fábrica de los elementos. Esta tecla funciona cuando el menú o un elemento de ajuste se encuentra en pantalla.

9 Tecla MENU

Muestra el menú en pantalla. Vuelva a pulsarla para que el menú desaparezca.

Panel de conectores



1 Conector INPUT A

Conéctelo a un equipo externo, como un ordenador.

- **Conector INPUT A (HD D-sub de 15 pines, hembra):** Se conecta a la salida de monitor de un ordenador mediante el cable suministrado. Para introducir una señal de componente o RGB de 15k, utilice un cable opcional.

Para más información, consulte "Para conectar un equipo RGB de 15k/ componente" en la página 17.

- **Conector AUDIO (minitoma estéreo):** Se conecta a la salida de audio del ordenador.
- **Conector MOUSE (6 pines):** Se conecta al puerto de ratón PS/2 de un ordenador mediante el cable de ratón suministrado, para controlar la función de ratón del ordenador conectado.

2 Conector VIDEO IN

Conéctelo a un equipo externo de vídeo, como una videograbadora.

- **S VIDEO (mini DIN de 4 pines):** Se conecta a la salida de S vídeo (salida de vídeo Y/C) de un equipo de vídeo.
- **VIDEO (tipo fonográfico):** Se conecta a la salida de vídeo compuesta de un equipo de vídeo.
- **Conector AUDIO (minitoma estéreo):** Se conecta a la salida de audio de la videograbadora.

3 Toma CONTROL S IN/PLUG IN POWER (salida de CC de 5V)

Se conecta a la toma de salida de control S del equipo Sony.

Se conecta a la toma CONTROL S OUT del mando a distancia suministrado para utilizarlo con cable. En este caso, no es necesario instalar las pilas en el mando a distancia, ya que esta toma suministra la alimentación.

4 Conector USB (enchufe USB A de flujo de entrada, 4 pines)

Conéctelo a un equipo USB, como un ratón, una cámara, etc.

5 Conector USB (enchufe USB B de flujo de salida, 4 pines)

Conéctelo al conector USB de un ordenador.

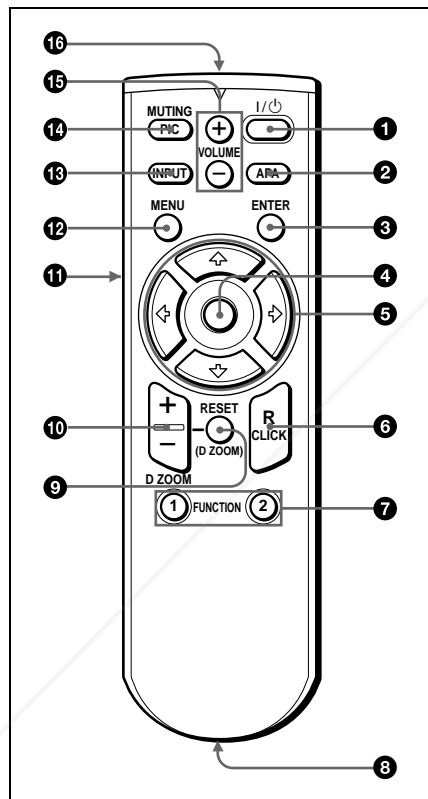
Si conecta el proyector al ordenador, dicho proyector reconocerá el ratón del ordenador conectado al conector INPUT A, y podrá controlar la función de ratón con el mando a distancia suministrado. El software de aplicación suministrado puede instalarse en el ordenador conectado a este conector.

Mando a distancia

Las teclas que tienen los mismos nombres a las del panel de control funcionan de la misma forma.

Es posible controlar el ordenador conectado mediante el mando a distancia.

Para más información, consulte "Para controlar el ordenador mediante el mando a distancia suministrado" en la página 21.



1 Tecla I / $\text{\textcircled{I}}$

2 Tecla APA (Alineación automática de píxeles)

3 Tecla ENTER

4 "Joystick"

Funciona como el ratón del ordenador conectado a la unidad.

5 Teclas de flecha ($\uparrow/\downarrow/\leftarrow/\rightarrow$)

6 Tecla R CLICK

Funciona como el botón derecho de un ratón.

7 Teclas FUNCTION 1, 2

Estas teclas funcionan cuando se utiliza el software de aplicación suministrado. Al conectar el proyector con un ordenador, puede abrirse un archivo en la pantalla con sólo pulsar la tecla FUNCTION. De esta forma se mejora la presentación. Para utilizar esta función, asigne un archivo a la tecla FUNCTION mediante el software de aplicación.

Para más información, consulte los archivos README y HELP suministrados con dicho software.

8 Toma CONTROL S OUT (minitoma estéreo)

Se conecta a la toma CONTROL S IN del proyector con el cable de conexión (no suministrado) cuando se utiliza el mando a distancia con cable. En este caso, no es necesario instalar las pilas, ya que la alimentación se suministra mediante la toma CONTROL S IN del proyector.

9 Tecla RESET (D ZOOM)

Permite recuperar el valor de fábrica de los elementos o el tamaño original de las imágenes ampliadas.

10 Tecla D ZOOM +/-

Aumenta la imagen en el lugar que se desee de la pantalla.

+: Al pulsar la tecla + una vez, se resalta una de las imágenes divididas en 16. Utilice una tecla de flecha ($\uparrow/\downarrow/\leftarrow/\rightarrow$) para desplazar la parte resaltada al punto de la imagen que desee aumentar. Pulse la tecla + varias veces para aumentar la imagen según sus preferencias.

-: Al pulsar la tecla -, se reduce la imagen aumentada con la tecla D ZOOM +.

11 Tecla L CLICK



Descripción general

Funciona como el botón izquierdo de un ratón.

12 Tecla MENU

13 Tecla INPUT

14 Tecla MUTING PIC

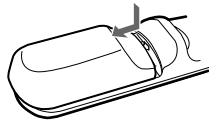
Desactiva la imagen. Vuelva a pulsarla para recuperar la imagen.


15 Tecla VOLUME +/-

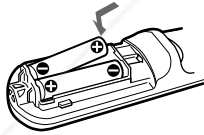
16 Transmisor infrarrojo

Para instalar las pilas

- 1** Empuje y deslice la tapa para abrirla y, a continuación, instale las dos pilas de tamaño AA (R6) (suministradas) con la polaridad correcta.



Asegúrese de instalar la pila desde el lado .



- 2** Vuelva a colocar la tapa.

Notas sobre las pilas

- Compruebe que la orientación de las pilas es correcta cuando las inserte.
- No mezcle pilas usadas con nuevas, ni diferentes tipos de pilas.
- Cuando no vaya a emplear el mando a distancia durante mucho tiempo, extraiga las pilas para evitar daños por fugas de las mismas. Si se producen fugas de las pilas, extraígalas, limpie y seque el compartimiento de las mismas y sustitúyalas por una nuevas.

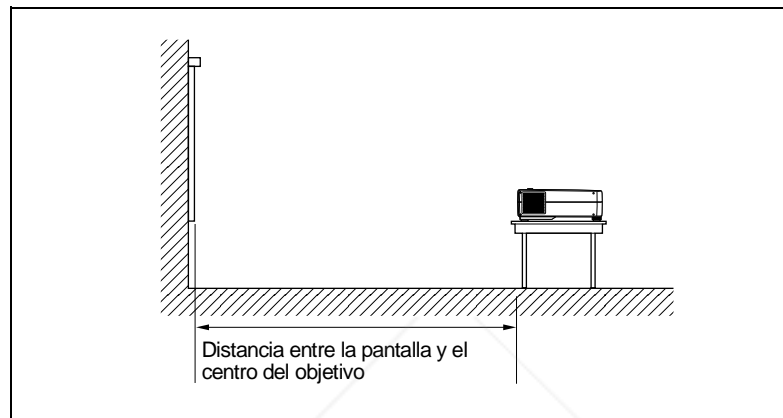
Notas sobre el empleo del mando a distancia

- Compruebe que nada obstruya el haz infrarrojo entre el mando a distancia y el detector de control remoto del proyector. Oriente el mando a distancia hacia el detector frontal o posterior de control remoto.
- El margen de operación es limitado. Cuanto menor sea la distancia entre el mando y el proyector, mayor será el ángulo de control del mando sobre el proyector.

► *Instalación y proyección*

Instalación del proyector

En esta sección se describe cómo instalar el proyector.
La distancia entre el objetivo y la pantalla varía en función del tamaño de ésta.
Utilice la siguiente tabla como referencia.



Instalación y proyección

Unidad: m (pies)

Tamaño de la pantalla (pulgadas)	40	60	80	100	120	150	200	300
Distancia mínima	1,5 (4,8)	2,2 (7,3)	3,0 (9,8)	3,8 (12,4)	4,5 (14,9)	5,7 (18,6)	7,6 (24,9)	11,4 (37,5)
Distancia máxima	1,8 (5,8)	2,7 (8,8)	3,6 (11,8)	4,5 (14,8)	5,4 (17,8)	6,8 (22,3)	9,1 (29,8)	13,7 (44,9)

Para más información, consulte "Ejemplo de instalación" en la página 36.
Para instalarlo en el techo, consulte con personal especializado Sony (se cobrará por los servicios).

Conexión del proyector

Cuando realice las conexiones, asegúrese de realizar lo siguiente:

- Apague todos los equipos antes de realizar cualquier conexión.
- Utilice los cables apropiados para cada conexión.
- Inserte los enchufes de los cables adecuadamente, A menudo, los enchufes no inserta dos por completo producen ruido. Cuando desconecte un cable, asegúrese de tirar del enchufe, no del propio cable.

Conexión con un ordenador

En esta sección se describe cómo conectar el proyector a un ordenador. Para más información, consulte el manual de instrucciones del ordenador.

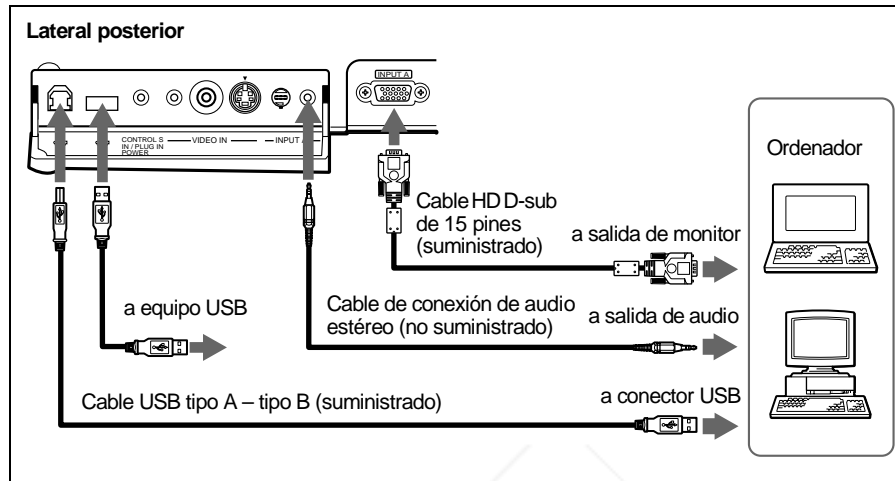
Notas

- El proyector admite señales VGA, SVGA, XGA y SXGA. No obstante, se recomienda ajustar el modo de salida del ordenador en SVGA (VPL-CS10) o XGA (VPL-CX10) para el monitor externo.
- Si ajusta el ordenador, como por ejemplo de tipo portátil, para que envíe la señal a la pantalla del mismo y al monitor externo, la imagen de dicho monitor puede no aparecer correctamente. Ajuste el ordenador para que envíe la señal solamente al monitor externo.
Para más información, consulte el manual de instrucciones suministrado con el ordenador.
- El cable de ratón suministrados pueden no funcionar apropiadamente en función del ordenador.
- Este proyector es compatible con un DDC2B (Canal de datos digitales 2B). Si el ordenador es compatible con un DDC, encienda el proyector de acuerdo con los siguientes procedimientos.

- 1 Conecte el proyector al ordenador mediante el cable HD D-sub de 15 pines suministrado.
- 2 Encienda el proyector.
- 3 Inicie el ordenador.

Para conectar un ordenador compatible IBM PC/AT

Si utiliza un ratón USB y un equipo USB



Sobre la función USB

Al conectar por primera vez el proyector a un ordenador mediante el cable USB, dicho ordenador reconocerá automáticamente los siguientes dispositivos.

- 1 Hub USB (uso general)
 - 2 Dispositivo de interfaz USB (función de ratón inalámbrico)
 - 3 Dispositivo de interfaz USB (función de control de proyector)
- El ordenador también reconoce el dispositivo conectado al conector de flujo de entrada del proyector.

Entorno operativo recomendado

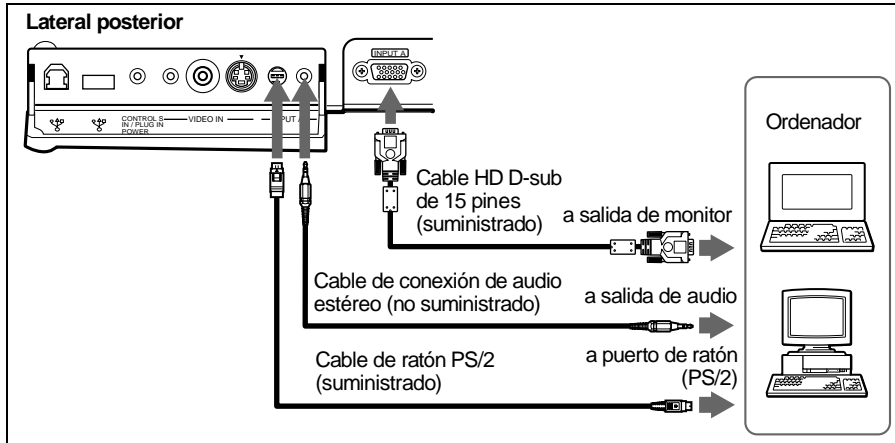
Si utiliza la función USB, conecte el ordenador como muestra la anterior ilustración.

Este software de aplicación y la función USB pueden utilizarse en un ordenador que disponga del modelo preinstalado de Windows 98, Windows 98 SE o Windows 2000.

Notas

- Puesto que el proyector reconoce el ratón USB cuando el ordenador está conectado al conector USB, no conecte nada al puerto de ratón PS/2.
- El ordenador puede no iniciarse correctamente cuando esté conectado al proyector mediante el cable USB. En este caso, desconecte el cable USB, reinicie el ordenador y, a continuación, conecte éste al proyector con el cable USB.
- No se garantiza el funcionamiento de este proyector en el modo de reposo, espera. Cuando utilice el proyector en el modo de reposo, espera, desconéctelo del puerto USB del ordenador.
- No se garantizan las operaciones con todos los entornos informáticos recomendados.

Si utiliza un puerto de ratón PS/2



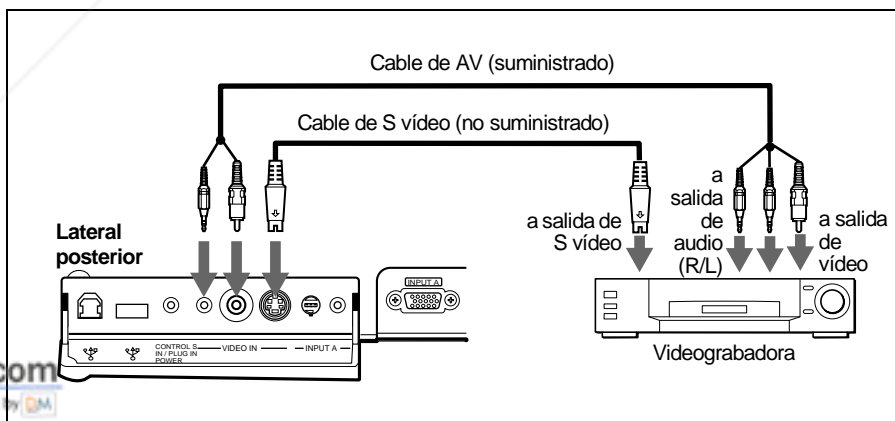
Para conectar un ordenador Macintosh

Utilice un adaptador de señales ADP-20 (no suministrado). No obstante, en este caso, no podrá controlar el ratón del ordenador mediante el mando a distancia.

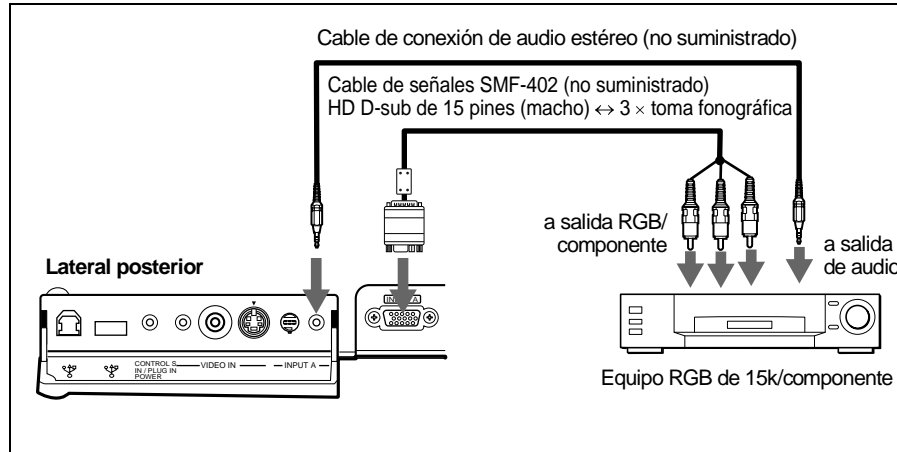
Conexión con una videogradora o con un equipo RGB de 15k/ componente

En esta sección se describe cómo conectar el proyector a una videogradora y a un equipo RGB de 15k/componente. Para más información, consulte el manual de instrucciones del equipo que conecte.

Para conectar una videogradora



Para conectar un equipo RGB de 15k/componente



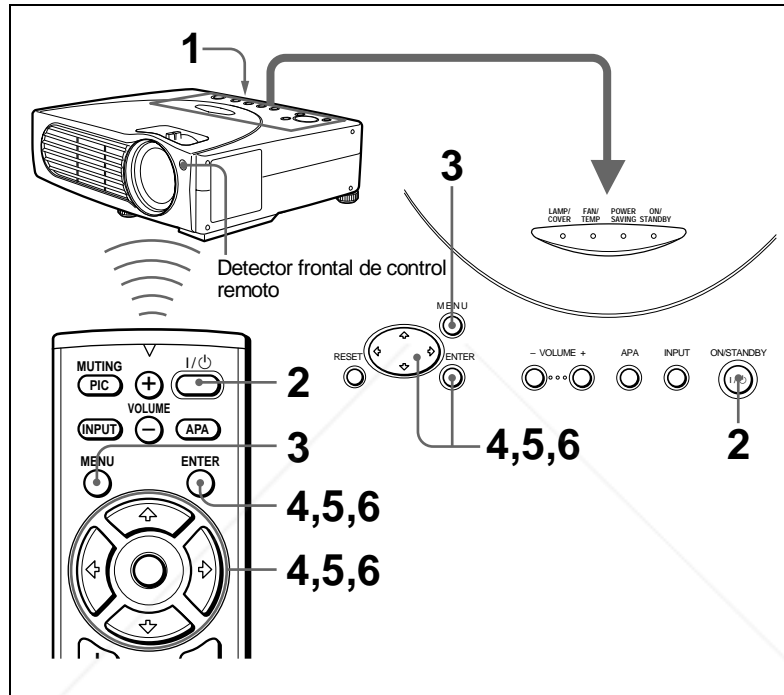
Instalación y proyección


Notas

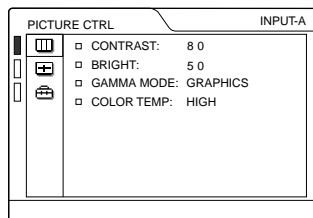
- Ajuste la relación de aspecto mediante ASPECTO del menú AJUS ENTRAD en función de la señal de entrada.
- Si conecta la unidad a un equipo RGB de 15k /de vídeo componente, seleccione RGB o componente con el ajuste ENTRAD A del menú AJUSTE.
- Utilice la señal de sincronización compuesta cuando introduzca la señal de sincronización externa del equipo RGB de 15k/componente.

Selección del idioma del menú

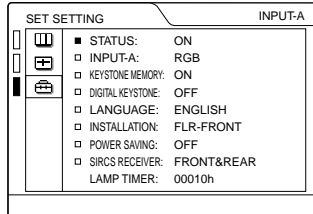
Es posible seleccionar el idioma que se desee entre los siete existentes para el menú y demás indicaciones en pantalla. El ajuste de fábrica es el idioma inglés.



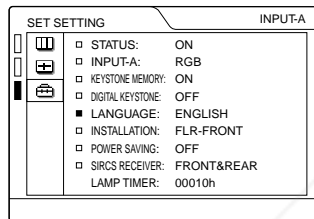
- 1 Conecte el cable de alimentación de CA del lateral posterior del proyector a una toma mural.
- 2 Pulse la tecla I /  para encender el proyector.
- 3 Pulse la tecla MENU.
Aparecerá el menú.
El menú actualmente seleccionado se muestra como un botón amarillo.



- 4 Pulse la tecla **↑** o **↓** para seleccionar el menú SET SETTING (AJUSTE) y, a continuación, pulse la tecla **→** o ENTER. Aparecerá el menú seleccionado.



- 5 Pulse la tecla **↑** o **↓** para seleccionar "LANGUAGE" (IDIOMA) y, a continuación, pulse la tecla **→** o ENTER.



- 6 Pulse la tecla **↑** o **↓** para seleccionar un idioma y, a continuación, pulse la tecla **←** o ENTER. El menú aparecerá en el idioma seleccionado.

Para que el menú desaparezca

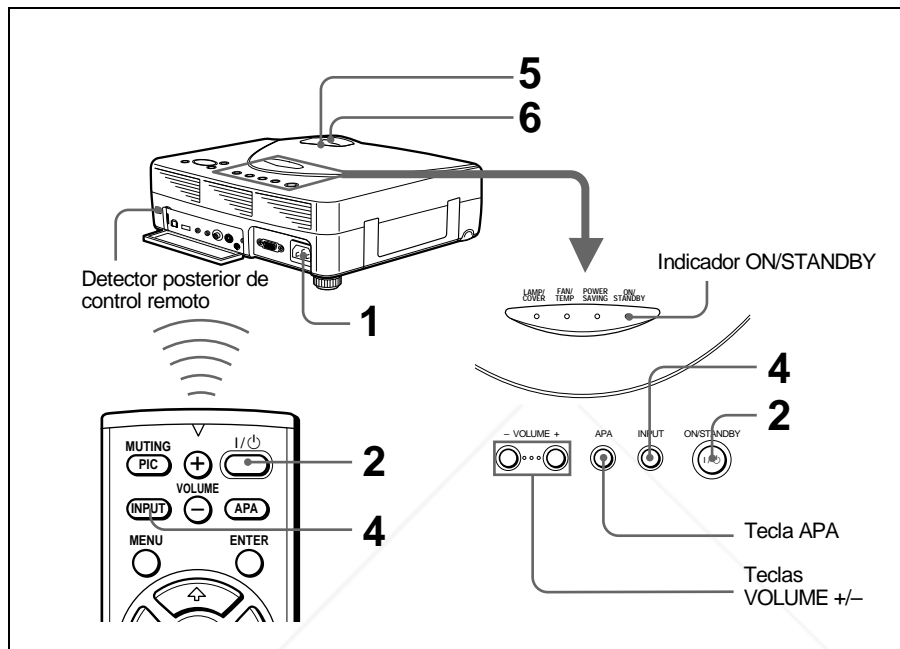
Pulse la tecla MENU.

El menú desaparecerá automáticamente si no pulsa ninguna tecla durante un minuto.



Instalación y proyección

Proyección



- 1** Conecte el cable de alimentación de CA del lateral posterior del proyector a una toma mural y, a continuación, conecte todos los equipos. El indicador ON/STANDBY se iluminará en rojo y el proyector entrará en el modo de espera.
- 2** Pulse la tecla I / ⏻. El indicador ON/STANDBY se iluminará en verde.
- 3** Encienda el equipo conectado al proyector.
- 4** Pulse la tecla INPUT para seleccionar la fuente de entrada.

Para introducir desde	Pulse INPUT para que aparezca
El ordenador conectado al conector INPUT A	ENTRAD A
El equipo de vídeo conectado al conector de entrada de VIDEO	VIDEO
El equipo de vídeo conectado al conector de entrada S VIDEO	S VIDEO

- 5 Gire el anillo de zoom para ajustar el tamaño de la imagen.
- 6 Gire el anillo de enfoque para ajustar el enfoque.

Precaución

Si mira al objetivo mientras proyecta, puede dañarse los ojos.

Para ajustar el volumen

Pulse las teclas VOLUME +/- . El volumen puede ajustarse para cada una de las entradas ENTRAD A, VIDEO y S VIDEO.

Para desactivar la imagen

Pulse la tecla MUTING PIC del mando a distancia.
Para recuperar la imagen, pulse de nuevo la tecla MUTING PIC.

Para controlar el ordenador mediante el mando a distancia suministrado

Si conecta un IBM PC/AT compatible al proyector, podrá controlar el ratón del ordenador con el mando a distancia.

Las teclas R/L CLICK y el "joystick" funcionan de la siguiente forma:

Tecla y " joystick"	Función
R CLICK (frontal)	Botón derecho
L CLICK (posterior)	Botón izquierdo
"Joystick"	Se corresponde con los movimientos del ratón

Nota

Compruebe que nada obstruya el haz infrarrojo entre el mando a distancia y el detector de control remoto del proyector.

Para obtener imágenes con la mayor nitidez posible

Es posible ajustar la calidad de imagen al proyectar una señal del ordenador.

- 1 Projete una imagen fija del ordenador.
- 2 Pulse la tecla APA.
"Completado." aparecerá en pantalla si la imagen está adecuadamente ajustada.

Notas

- Pulse la tecla APA cuando aparezca la imagen completa en pantalla. Si hay bordes negros alrededor de la imagen, la función APA no se activará adecuadamente y la imagen puede extenderse más allá de la pantalla.
- Si cambia la señal de entrada o vuelve a conectar un ordenador, pulse la tecla APA de nuevo para volver a ajustar la imagen.
- Es posible cancelar el ajuste pulsando la tecla APA de nuevo mientras "AJUSTANDO" se encuentra en pantalla.
- La imagen puede no ajustarse adecuadamente en función del tipo de señal de entrada.
- Defina los elementos del menú AJUS ENTRAD cuando ajuste la imagen manualmente.



Instalación y proyección

Para desactivar la alimentación

- 1** Pulse la tecla I / ⏻.
“DESACTIVAR? Por favor, vuelva a pulsar I / ⏻ .” aparecerá para confirmar que desea desactivar la alimentación.

Nota

Los mensajes desaparecerán si pulsa cualquier tecla, excepto I / ⏻, o si no pulsa ninguna tecla durante cinco segundos.

- 2** Vuelva a pulsar la tecla I / ⏻.
El indicador ON/STANDBY parpadeará en verde y el ventilador seguirá funcionando durante unos 60 segundos para reducir el calentamiento interno. Igualmente, el indicador ON/STANDBY parpadeará rápidamente durante los primeros 30 segundos. Durante este espacio de tiempo, no podrá encender el indicador ON/STANDBY con la tecla I / ⏻.
- 3** Desenchufe el cable de alimentación de CA de la toma mural cuando el ventilador deje de funcionar y el indicador ON/STANDBY se ilumine en rojo.

Si no puede confirmar el mensaje en pantalla

Si no puede confirmar el mensaje en pantalla en una determinada condición, puede desactivar la alimentación manteniendo pulsada la tecla I / ⏻ durante un segundo aproximadamente.

Nota

No desenchufe el cable de alimentación de CA mientras el ventilador esté funcionando; si lo hace, éste se detendrá aunque el calentamiento interno sea aún alto, lo que podría causar que el proyector se averiase.

Filtro de aire

Para mantener un rendimiento óptimo, **limpie el filtro de aire cada 300 horas.**

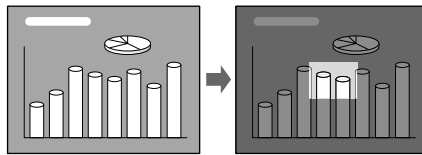
Herramientas efectivas para las presentaciones

Para aumentar la imagen (Función de zoom digital)

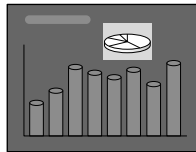
Puede seleccionar un punto de la imagen que desee ampliar.

- 1 Projete la imagen con el tamaño original y pulse la tecla D ZOOM + del mando a distancia.

Una de las imágenes divididas en 16 aparece resaltada en el centro de la imagen.

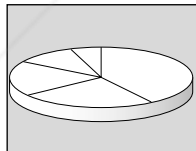


- 2 Desplace la parte resaltada al punto que desee aumentar pulsando las teclas de flecha (↑/↓/←/→).

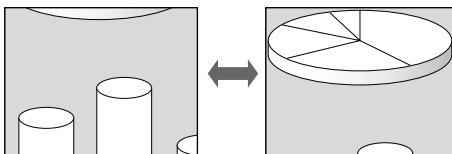


- 3 Pulse de nuevo la tecla D ZOOM +.

La parte resaltada mostrada en el paso 2 aumenta. Al pulsar la tecla + varias veces, el tamaño de la imagen aumenta (relación de aumento: máx. 4 veces).



Utilice las teclas de flecha (↑/↓/←/→) para que la imagen aumentada se desplace.



Para que la imagen recupere su tamaño original

Pulse la tecla D ZOOM – del mando a distancia. Basta con pulsar la tecla RESET (ZOOM) para que la imagen recupere su tamaño original de forma inmediata.

Instalación y proyección

► Realización de ajustes mediante el menú

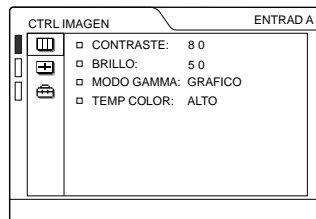
Uso del MENU

El proyector dispone de un menú en pantalla que permite realizar diversos ajustes. Puede cambiar el idioma del menú en pantalla.

Para cambiar el idioma del menú, consulte “Selección del idioma del menú” en la página 18.

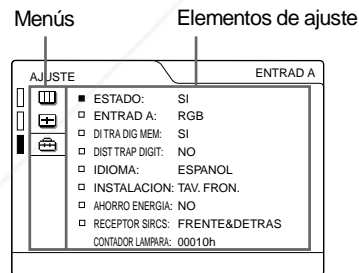
1 Pulse la tecla MENU.

Aparecerá el menú.
El menú actualmente seleccionado se muestra como un botón amarillo.



2 Utilice la tecla ↑ o ↓ para seleccionar un menú y, a continuación, pulse la tecla → o ENTER.

Aparecerá el menú seleccionado.



3 Seleccione un elemento.

Utilice la tecla ↑ o ↓ para seleccionar el elemento y, a continuación, pulse la tecla → o ENTER.

4 Realice ajustes en el elemento.

- Al cambiar el nivel de ajuste:
Para que el número aumente, pulse la tecla ↑ o →.
Para que el número disminuya, pulse la tecla ↓ o ←.
Pulse la tecla ENTER para recuperar la pantalla original.
- Al cambiar el ajuste:
Pulse la tecla ↑ o ↓ para cambiar el ajuste.
Pulse la tecla ENTER o ← para recuperar la pantalla original.

Para que el menú desaparezca

Pulse la tecla MENU.
El menú desaparecerá automáticamente si no pulsa ninguna tecla durante un minuto.

Para reajustar elementos ajustados

Pulse la tecla RESET.
“Completado.” aparecerá en pantalla y los ajustes mostrados en ésta recuperarán los valores de fábrica.

Los elementos que pueden reajustarse son los siguientes:

- “CONTRASTE”, “BRILLO”, “COLOR”, “TONALIDAD” y “NITIDEZ” del menú CTRL IMAGEN
- “FASE PUNTO”, “TAMANO” y “DESPLAZ” del menú AJUS ENTRAD.
- “DIST TRAP DIG” del menú AJUSTE.

Acerca de la memoria de los ajustes

Los ajustes se almacenan automáticamente en la memoria del proyector.

Si no se introduce ninguna señal

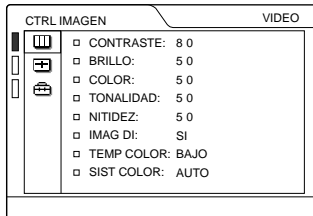
Si no se introduce ninguna señal, la pantalla mostrará “SIN ENTRADA-Imposible ajustar este parámetro.”

Menú CTRL IMAGEN

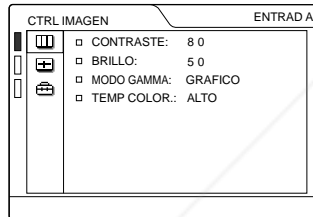
El menú CTRL (control) IMAGEN se utiliza para ajustar la imagen. Los elementos que no pueden ajustarse dependiendo de la señal de entrada no aparecen en el menú.

Para más información sobre los elementos que no pueden ajustarse, página 42.

Si se introduce la señal de vídeo



Si se introduce la señal RGB



Elementos de menú

CONTRASTE

Ajusta el contraste de la imagen. Cuanto mayor sea el ajuste, mayor será el contraste. Cuanto menor sea el ajuste, menor será el contraste.

BRILLO

Ajusta el brillo de la imagen. Cuanto mayor sea el ajuste, mayor será el brillo de la imagen. Cuanto menor sea el ajuste, menor será el brillo de la imagen.

COLOR

Ajusta la intensidad del color. Cuanto mayor sea el ajuste, mayor será la intensidad. Cuanto menor sea el ajuste, menor será la intensidad.

TONALIDAD

Ajusta los tonos del color. Cuanto mayor sea el ajuste, la imagen adquirirá un tono verdoso. Cuanto menor sea el ajuste, la imagen adquirirá un tono púrpura.

NITIDEZ

Ajusta la nitidez de la imagen. Cuanto mayor sea el ajuste, mayor será la nitidez de la imagen. Cuanto menor sea el ajuste, la imagen aparecerá con mayor suavidad.

IMAG DI (Dinámica)

Enfatiza el color negro.

SI: Enfatiza el color negro para producir imágenes “dinámicas” más marcadas.

NO: Reproduce las partes oscuras de la imagen con precisión, de acuerdo con la señal fuente.

MODO GAMMA

Selecciona una curva de corrección gamma.

GRAFICO: Mejora la reproducción de los tonos medios. Las fotografías pueden reproducirse en tonos naturales.

TEXTO: Contrasta el blanco y el negro. Adecuado para imágenes que contienen mucho texto.

TEMP COLOR

Ajusta la temperatura del color.

ALTO: El color blanco adquiere un tono azulado.

BAJO: El color blanco adquiere un tono rojizo.

SIST (Sistema) COLOR

Selecciona el sistema de color de la señal de entrada.



Realización de ajustes mediante el menú

- **AUTO:** NTSC_{3.58}, PAL, SECAM y NTSC_{4.43} (conmutación automática)
- **PAL-M/N:** PAL-M/PAL-N y NTSC_{3.58} (conmutación automática)

Normalmente, ajústelo en AUTO. Si la imagen se distorsiona o aparece sin color, seleccione el sistema de color de acuerdo con la señal de entrada.

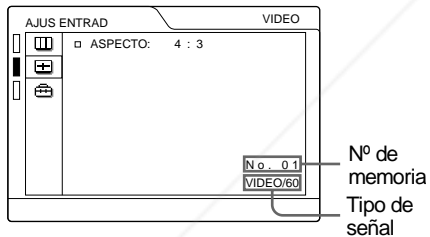
Menú AJUS ENTRAD

El menú AJUS ENTRAD se utiliza para ajustar la señal de entrada.

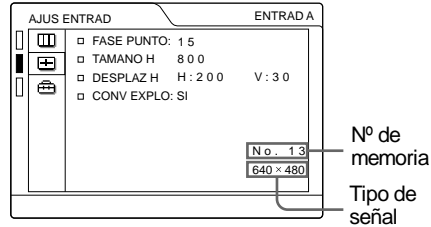
Los elementos que no pueden ajustarse dependiendo de la señal de entrada no aparecen en el menú.

Para más información sobre los elementos que no pueden ajustarse, página 42.

Si se introduce la señal de vídeo



Si se introduce la señal RGB



Elementos de MENU

FASE PUNTO

Ajusta la fase de puntos del panel LCD y la señal de entrada del conector INPUT A. Ajuste la imagen en mayor medida una vez ajustada pulsando la tecla APA. Ajuste la imagen en la posición en la que aparezca con mayor nitidez.

TAMANO

Ajusta el tamaño horizontal de la imagen introducida mediante el conector INPUT A. Cuando más alto sea el ajuste, mayor será el tamaño horizontal de la imagen. Cuando más bajo sea el ajuste, menor será el tamaño horizontal de la imagen. Ajuste el valor en función de los puntos de la señal de entrada.

Para más información sobre el valor adecuado para las señales predefinidas, consulte la página 43.

DESPLAZ

Ajusta la posición de la imagen introducida mediante el conector INPUT A. H ajusta la posición horizontal de la imagen. V ajusta la posición vertical de la imagen. Al aumentar el ajuste de H, la imagen se desplazará a la derecha, y al disminuir, se desplazará a la izquierda.

Al aumentar el ajuste de V, la imagen se desplazará hacia arriba, y al disminuir, se desplazará hacia abajo. Emplee la tecla ← o →, para ajustar la posición horizontal y la tecla ↑ y ↓ para la posición vertical.

CONV EXPLO (Convertidor de exploración)

Convierte la señal para mostrar la imagen en función del tamaño de la pantalla.

SI: Muestra la imagen de acuerdo con el tamaño de la pantalla. La imagen perderá cierta claridad.

NO: Muestra la imagen mientras hace coincidir un píxel de elemento de imagen de entrada con el del LCD. La imagen será nítida aunque su tamaño será menor.

Nota

Este elemento no aparecerá en el siguiente caso:

VPL-CS10: Al introducirse la señal SVGA, XGA o SXGA.

VPL-CX10: Al introducirse la señal XGA o SXGA.

ASPECTO

Ajusta la relación de aspecto de la imagen. Si introduce la señal 16:9 (comprimida) desde un equipo como un reproductor de DVD, ajústelo en 16:9.

4:3: Si se introduce la imagen con relación 4:3.

16:9: Si se introduce la imagen con relación 16:9 (comprimida).

Acerca del n° de memoria predefinida

Este proyector dispone de 37 tipos de datos predefinidos de señales de entrada para ENTRAD A (memoria predefinida). Al introducirse una señal predefinida, el proyector detecta automáticamente el tipo de señal y recupera los datos correspondientes a la misma de la memoria predefinida con el fin de ajustarla y obtener una imagen óptima. El número de memoria y el tipo de señal de esa señal aparecen en el menú AJUS ENTRAD. También es posible ajustar los datos predefinidos mediante el menú AJUS ENTRAD.

Este proyector dispone de 20 tipos de memorias de usuario para ENTRAD A en las que es posible guardar el ajuste de los datos definidos para una señal de entrada no predefinida.

Si se introduce una señal no predefinida por primera vez, aparecerá un número de memoria como 00. Cuando ajuste los datos de la señal en el menú AJUS ENTRAD, se registrarán en el proyector. Si se registran más de 20 memorias de usuario, la memoria más reciente siempre sobrescribirá la más antigua.

Consulte la tabla de la página 43 para averiguar si la señal está registrada en la memoria predefinida.

Puesto que los datos de las siguientes señales se recuperan de la memoria predefinida, puede emplear estos datos predefinidos ajustando TAMANO. Realice ajustes de precisión ajustando DESPLAZ.

Señal	N° de memoria	TAMANO
Super Mac-2	23	1312
SGI-1	23	1320
Macintosh 19"	25	1328
Macintosh 21"	28	1456
Sony News	36	1708
PC-9821 1280 × 1024	36	1600
WS Sunmicro	37	1664

Nota

Si la relación de aspecto de la señal de entrada no es 4:3, parte de la pantalla aparecerá en negro.



Realización de ajustes mediante el menú



Discount-Merchant.com (800) 281-8860

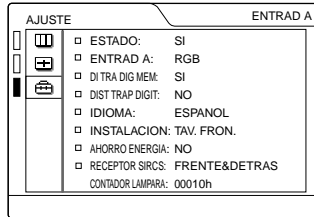
THE TRUSTED SOURCE FOR PROJECTOR LAMPS AND ACCESSORIES

Menú AJUS ENTRAD | 27^{ES}

VPL-CS10/CX10
4-079-300-11 (1)

Menú AJUSTE

El menú AJUSTE se utiliza para cambiar los valores del proyector.



Elementos de menú

ESTADO (indicación en pantalla)

Ajusta la indicación en pantalla.

SI: Muestra todas las indicaciones en pantalla.

NO: Desactiva las indicaciones en pantalla, excepto los menús, el mensaje que aparece al desactivar la alimentación y los mensajes de aviso.

ENTRAD A

Selecciona la señal RGB o de componente introducida mediante el conector INPUT A.

Nota

Si el ajuste no es correcto, la pantalla mostrará "Compruebe ajuste ENTRAD A." y el color de la imagen será extraño o ésta no aparecerá.

DI TRA DIG MEM

Memoriza los datos ajustados con DIST TRAP DIGIT.

DIST TRAP DIGIT

Ajusta la distorsión trapezoidal de la imagen que puede producirse dependiendo del ángulo de proyección.

Si la parte superior del trapecoide es más larga que la inferior Se ajusta en un valor más.

IDIOMA

Selecciona el idioma empleado en el menú y en las indicaciones en pantalla. Los idiomas disponibles son inglés, francés, alemán, italiano, español, japonés y chino.

INSTALLATION

Establece la inversión de la imagen en horizontal o en vertical.

TAV. FRON.: La imagen no se invierte.

SOF. FRON.: La imagen se invierte en horizontal y en vertical.

TAV. RETR.: La imagen se invierte en horizontal.

SOF. RETR.: La imagen se invierte en vertical.

Nota

En el caso de utilizar un espejo, tenga en cuenta la instalación, ya que la imagen puede invertirse.

AHORRO ENERGIA

Si se ajusta en SI, el proyector entrará en el modo de ahorro de energía si no se introduce ninguna señal durante 10 minutos.

RECEPTOR SIRCS

Selecciona los detectores de control remoto (receptor SIRCS) de las partes frontal y posterior del proyector.

FRENTE & DETRAS: Activa los detectores frontal y posterior.

FRENTE: Activa el detector frontal solamente.

DETRAS: Activa el detector posterior solamente.

CONTADOR LAMPARA

Indica el número total de horas de empleo de la lámpara actualmente en uso.

Si la parte inferior del trapecoide es más larga que la superior : Se ajusta en un valor menos.

► *Mantenimiento*

Mantenimiento

Sustitución de la lámpara

Cuando sea necesario sustituir la lámpara, hágalo inmediatamente y utilice una lámpara de proyector LMP-C132 nueva.

Al sustituir la lámpara después de utilizar el proyector

Apague el proyector y desenchufe el cable de alimentación.

Espere al menos una hora hasta que la lámpara se enfríe.

Precaución

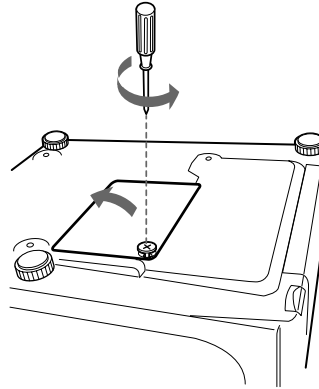
La temperatura de la lámpara será alta después de apagar el proyector con la tecla I / ⏻. Si toca dicha lámpara, puede quemarse el dedo. Antes de sustituir la lámpara, espere al menos una hora hasta que se enfríe.

- 1 Coloque una hoja (pañó) de protección debajo del proyector. Dé la vuelta al proyector de forma que vea su parte inferior.

Nota

Asegúrese de que el proyector se encuentra en posición estable después de haberle dado la vuelta.

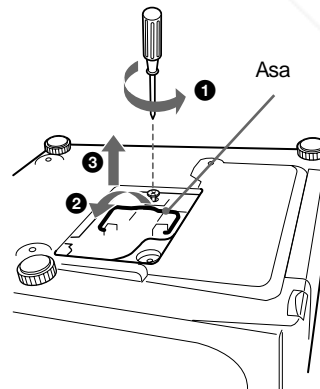
- 2 Abra la cubierta de la lámpara. Para ello, afloje un tornillo con el destornillador Phillips (suministrado con la lámpara LMP-C132).



Nota

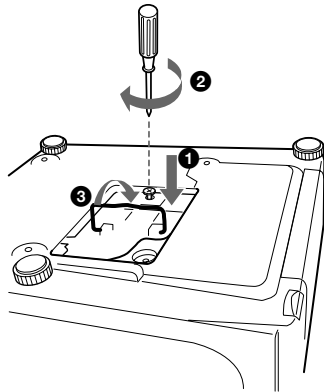
Para mayor seguridad, no afloje otros tornillos.

- 3 Afloje el tornillo de la unidad de lámpara con el destornillador Phillips. Tire de la unidad de lámpara hacia fuera mediante el asa.



Mantenimiento

- 4 Inserte por completo la lámpara nueva hasta que quede encajada en su sitio. Apriete el tornillo. Pliegue el asa hacia arriba.



Notas

- Tenga cuidado de no tocar la superficie de cristal de la lámpara.
- La alimentación no se activará si la lámpara no está firmemente instalada.

- 5 Cierre la cubierta de la lámpara y apriete los tornillos.
- 6 Vuelva a darle la vuelta al proyector.
- 7 Conecte el cable de alimentación y ajuste el proyector en el modo de espera.
- 8 Pulse las siguientes teclas del panel de control en el siguiente orden durante menos de cinco segundos cada una: RESET, ←, →, ENTER.

Notas

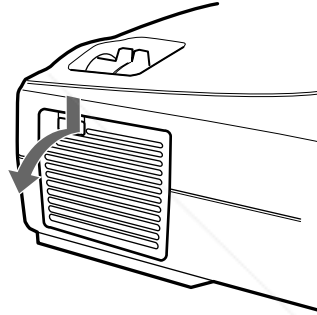
- Asegúrese de utilizar la lámpara de proyector LMP-C132 para la sustitución. Si utiliza otras lámparas que no sean la LMP-C132, el proyector puede causar fallos de funcionamiento.
 - Compruebe que apaga el proyector y desenchufa el cable de alimentación antes de sustituir la lámpara.
- Con el fin de evitar descargas eléctricas o incendios, no introduzca las manos en el compartimento de sustitución de la lámpara.

ni permita que se introduzcan líquidos u objetos.

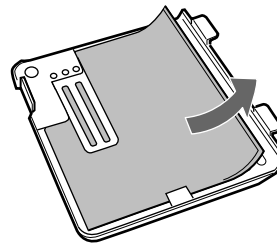
Limpieza del filtro de aire

El filtro de aire debe limpiarse cada 300 horas. Si resulta difícil eliminar el polvo del filtro, sustitúyalo por uno nuevo. Realice los siguientes pasos para limpiar el filtro de aire:

- 1 Desactive la alimentación y desenchufe el cable de alimentación.
- 2 Dé la vuelta al proyector.



- 3 Extraiga la cubierta del filtro de aire.



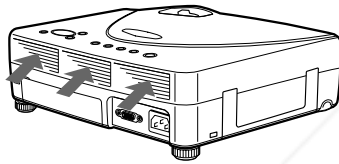
- 4 Utilice una aspiradora para eliminar el polvo del filtro.
- 5 Fije el filtro de aire y vuelva a colocar la cubierta.

Notas

- Si el filtro de aire está excesivamente sucio, lávelo con una solución detergente poco concentrada y déjelo secar a la sombra. Si no es posible eliminar el polvo, sustituya el filtro de aire por el nuevo suministrado.
- Asegúrese de fijar firmemente la cubierta del filtro de aire; la alimentación no se activará si no está firmemente cerrada.
- El filtro de aire tiene una cara frontal y otra inversa. Colóquelo de forma que encaje en una hendidura de la cubierta del mismo.

Para limpiar los orificios de ventilación


Cuando limpie el filtro de aire, limpie también los orificios de ventilación (aspiración, posterior). Utilice una aspiradora para eliminar el polvo de la parte exterior de los orificios de ventilación.



Solución de problemas

Si el proyector parece no funcionar correctamente, intente diagnosticar y corregir el problema utilizando las siguientes instrucciones. Si el problema no se soluciona, consulte con personal Sony especializado.

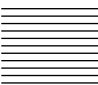
Alimentación

Problema	Causa y solución
La alimentación no se activa.	<ul style="list-style-type: none"> • La alimentación se ha desactivado y activado de nuevo con la tecla I /  en un corto intervalo. <ul style="list-style-type: none"> → Espere unos 60 segundos antes de activar la alimentación (consulte la página 22). • La cubierta de la lámpara no está fijada. <ul style="list-style-type: none"> → Cierre firmemente la cubierta de la lámpara (consulte la página 29). • La cubierta del filtro de aire no está fijada. <ul style="list-style-type: none"> → Cierre firmemente la cubierta del filtro de aire (consulte la página 30).
Los indicadores LAMP/COVER y FAN/TEMP se iluminan.	<ul style="list-style-type: none"> • Se ha producido una avería en el sistema eléctrico. <ul style="list-style-type: none"> → Consulte con personal Sony especializado.

Imagen

Problema	Causa y solución
No aparece la imagen.	<ul style="list-style-type: none"> • El cable está desconectado o las conexiones son incorrectas. <ul style="list-style-type: none"> → Compruebe que ha realizado las conexiones adecuadas (consulte la página 14). • La imagen está desactivada. <ul style="list-style-type: none"> → Pulse la tecla MUTING PIC para cancelar la función de desactivación (consulte la página 21). • La selección de entrada es incorrecta. <ul style="list-style-type: none"> → Seleccione la fuente de entrada correctamente con la tecla INPUT (consulte la página 20). • La señal del ordenador no está ajustada para enviarse a un monitor externo. <ul style="list-style-type: none"> → Ajuste la señal del ordenador para enviarse a un monitor externo (consulte la página 14). • La señal del ordenador está ajustada para enviarse al LCD del mismo y a un monitor externo. <ul style="list-style-type: none"> → Ajuste la señal del ordenador para enviarse solamente al monitor externo (consulte la página 14).
La imagen aparece con ruido.	<ul style="list-style-type: none"> • Puede aparecer ruido de fondo en función de la combinación de los números de entrada de puntos del conector y los números de píxel del panel LCD. <ul style="list-style-type: none"> → Cambie el patrón del escritorio del ordenador conectado.
El color de la imagen del conector INPUT A es extraño.	<ul style="list-style-type: none"> • El ajuste de ENTRADA del menú AJUSTE es incorrecto. <ul style="list-style-type: none"> → Seleccione RGB o COMPONENTES para ENTRADA en el menú AJUSTE en función de la señal de entrada (consulte la página 28).

Problema	Causa y solución
Aparece "Compruebe ajuste ENTRAD A." a pesar de introducir la señal correcta mediante INPUT A.	<ul style="list-style-type: none"> El ajuste de ENTRAD A del menú AJUSTE es incorrecto. → Seleccione RGB o COMPONENTES para ENTRAD A en el menú AJUSTE en función de la señal de entrada (consulte la página 28).
La indicación en pantalla no aparece.	<ul style="list-style-type: none"> Ha ajustado ESTADO en el menú AJUSTE en NO. → Ajuste ESTADO en el menú AJUSTE en SI (consulte la página 28).
El balance de color es incorrecto.	<ul style="list-style-type: none"> No ha ajustado la imagen adecuadamente. → Ajuste la imagen (consulte la página 25). El proyector está ajustado en un sistema de color incorrecto. → Defina SIST COLOR en el menú CTRL IMAGEN de acuerdo con el sistema de color de entrada (consulte la página 25).
La imagen es demasiado oscura.	<ul style="list-style-type: none"> El contraste o el brillo no se ha ajustado adecuadamente. → Ajuste el contraste o el brillo en el menú CTRL IMAGEN correctamente (consulte la página 25).
La imagen no es nítida.	<ul style="list-style-type: none"> La imagen está desenfocada. → Ajuste el enfoque (consulte la página 21). Se ha condensado humedad en el objetivo. → Deje el proyector encendido durante unas dos horas.
La imagen en pantalla aparece demasiado pequeña.	<ul style="list-style-type: none"> No ha ajustado DESPLAZ en el menú AJUS ENTRAD adecuadamente. → Ajuste DESPLAZ en el menú AJUS ENTRAD correctamente (consulte la página 26).
La imagen parpadea.	<ul style="list-style-type: none"> No ha ajustado FASE PUNTO en el menú AJUS ENTRAD adecuadamente. → Ajuste FASE PUNTO en el menú AJUS ENTRAD correctamente (consulte la página 26).


 Mantenimiento

Sonido

Problema	Causa y solución
No se oye el sonido.	<ul style="list-style-type: none"> El cable está desconectado o las conexiones son incorrectas. → Compruebe que ha realizado las conexiones adecuadas (consulte la página 14).
Al introducir sonido mediante el conector AUDIO, el sonido se oye sólo por un canal.	<ul style="list-style-type: none"> Introduce sonido monofónico a través del conector AUDIO. → Introduzca sonido estéreo.

Mando a distancia

Problema	Causa y solución
El mando a distancia no funciona.	<ul style="list-style-type: none"> Las pilas del mando a distancia están agotadas. → Sustitúyalas por unas nuevas (consulte la página 12). El detector de control remoto frontal/posterior está cerca de una lámpara fluorescente. → Cambie el ajuste de RECEPTOR SIRCS en el menú AJUSTE (consulte la página 28).

Problema	Causa y solución
El "joystick" o la tecla R CLICK o L CLICK no funciona.	<ul style="list-style-type: none"> • El puerto de ratón del ordenador no reconoce el cable de ratón. → Reinicie el ordenador.

Otros

Problema	Causa y solución
El indicador LAMP/COVER parpadea.	<ul style="list-style-type: none"> • La cubierta de la lámpara o la del filtro de aire no está fijada. → Fije la cubierta firmemente (consulte la página 29).
El indicador LAMP/COVER se ilumina.	<ul style="list-style-type: none"> • La lámpara ha llegado al final de su duración. → Sustituya la lámpara (consulte la página 29). • La temperatura de la lámpara es alta. → Espere 60 segundos para que la lámpara se enfríe y vuelva a activar la alimentación (consulte la página 22).
El indicador FAN/TEMP parpadea.	<ul style="list-style-type: none"> • El ventilador está averiado. → Consulte con personal Sony especializado.
El indicador FAN/TEMP se ilumina.	<ul style="list-style-type: none"> • La temperatura interna es inusualmente alta. → Compruebe que nada bloquea los orificios de ventilación.
Los indicadores LAMP/COVER y FAN/TEMP se iluminan.	<ul style="list-style-type: none"> • Se ha producido una avería en el sistema eléctrico. → Consulte con personal Sony especializado.

Mensajes de aviso

Utilice la siguiente lista para comprobar el significado de los mensajes mostrados en pantalla.

Mensaje	Significado y solución
Temperatura alta! Apag. 1 min.	<ul style="list-style-type: none"> • La temperatura interna es demasiado alta. → Desactive la alimentación. → Compruebe que nada bloquea los orificios de ventilación.
Frecuencia fuera de rango!	<ul style="list-style-type: none"> • Esta señal de entrada no puede proyectarse, ya que la frecuencia se encuentra fuera del margen admisible del proyector. → Introduzca una señal que se encuentre dentro del margen de la frecuencia. • El ajuste de resolución de la señal de salida del ordenador es demasiado alto. → Establezca el ajuste de salida en SVGA (VPL-CS10) o XGA (VPL-CX10) (consulte la página 14).
Compruebe ajuste ENTRAD A.	<ul style="list-style-type: none"> • Ha introducido la señal RGB del ordenador con ENTRAD A del menú AJUSTE definido en COMPONENTES. → Ajuste ENTRAD A correctamente (consulte la página 28).

Mensajes de precaución

Utilice la siguiente lista para comprobar el significado de los mensajes mostrados en pantalla.

Mensaje	Significado y solución
SIN ENTRADA	<ul style="list-style-type: none">• Ninguna señal de entrada → Compruebe las conexiones (consulte la página 14) .
No aplicable!	<ul style="list-style-type: none">• Ha pulsado una tecla incorrecta. → Pulse la tecla apropiada.

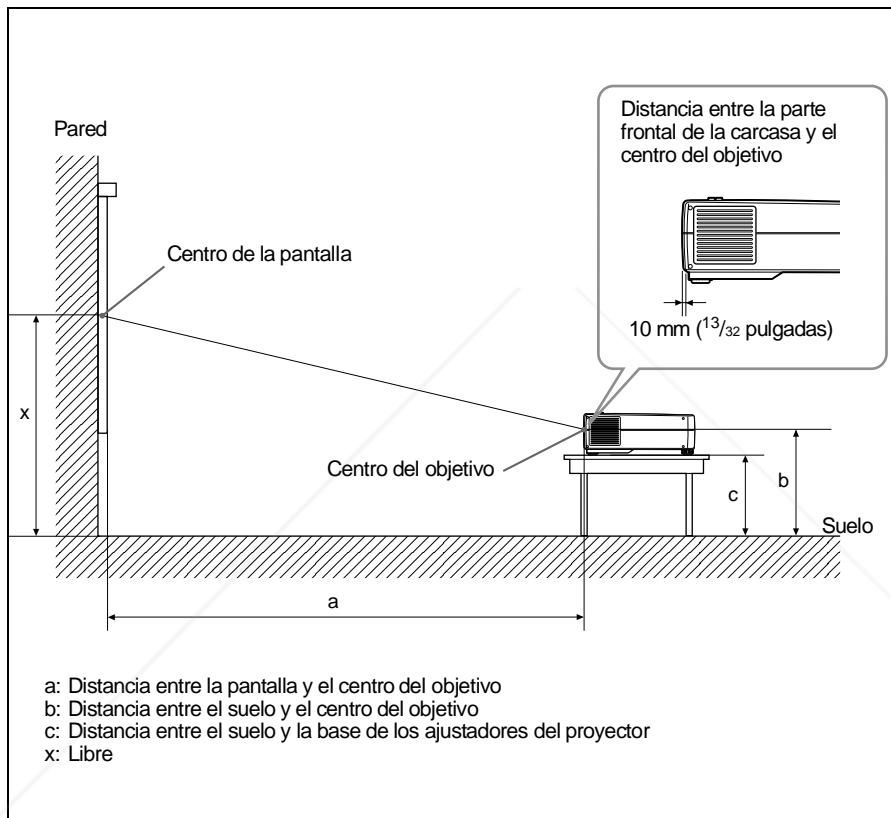


► Otros

Ejemplo de instalación

En esta sección se describe un ejemplo de instalación en el suelo. Las medidas de instalación pueden ser distintas según el tipo de proyector que utilice.

Instalación en el suelo



Las medidas de instalación y su método de cálculo se muestran a continuación.

Las letras de las tablas y los métodos de cálculo indican lo siguiente:

SS: tamaño de la pantalla medido en diagonal (pulgadas)

N: Mínimo

M: Máximo

a: Distancia entre la pantalla y el centro del objetivo

b: Distancia entre el suelo y el centro del objetivo

c: Distancia entre el suelo y la base de los ajustadores del proyector

x: Libre

VPL-CS10

Unidad: mm (pulgadas)

SS	40	60	80	100	120	150	180	200	250	300	
a	N	1468 (58)	2235 (87 ⁷ / ₈)	3001 (118 ¹ / ₈)	3768 (148 ¹ / ₂)	4534 (178 ³ / ₈)	5684 (223 ³ / ₄)	6833 (269)	7600 (299 ¹ / ₄)	9516 (374 ⁷ / ₈)	11432 (450 ⁷ / ₈)
	M	1771 (69 ³ / ₄)	2688 (106)	3604 (141 ³ / ₄)	4521 (178)	5437 (214 ¹ / ₄)	6812 (268 ¹ / ₄)	8186 (322 ¹ / ₂)	9103 (358 ³ / ₈)	11394 (448 ¹ / ₂)	13685 (539 ¹ / ₈)
b	x-305 (12)	x-457 (18)	x-610 (24)	x-762 (30)	x-914 (36)	x-1143 (45)	x-1372 (54)	x-1524 (60)	x-1905 (75 ¹ / ₈)	x-2286 (90 ¹ / ₈)	
c	x-358 (14 ¹ / ₈)	x-511 (20 ¹ / ₈)	x-663 (26 ¹ / ₈)	x-816 (32 ¹ / ₈)	x-968 (38 ¹ / ₈)	x-1197 (47 ¹ / ₈)	x-1425 (56 ¹ / ₈)	x-1578 (62 ¹ / ₈)	x-1959 (77 ¹ / ₈)	x-2340 (92 ¹ / ₈)	

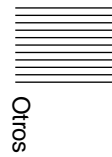
Método de cálculo de la medida de instalación (unidad: mm)

$$a \text{ (mínimo)} = \{(SS \times 33,8556/0,905512) - 63,2060\} \times 1,025$$

$$a \text{ (máximo)} = \{(SS \times 42,5565/0,905512) - 63,1246\} \times 0,975$$

$$b = x - (SS/0,905512 \times 6,9)$$

$$c = x - (SS/0,905512 \times 6,9 + 53,5)$$



Otros

VPL-CX10

Unidad: mm (pulgadas)

SS	40	60	80	100	120	150	180	200	250	300	
a	N	1465 (58)	2230 (87 ⁷ / ₈)	2996 (118 ¹ / ₈)	3761 (148 ¹ / ₈)	4526 (178 ³ / ₈)	5674 (223 ³ / ₈)	6822 (268 ³ / ₈)	7587 (298 ⁷ / ₈)	9500 (374 ⁷ / ₈)	11413 (449 ³ / ₈)
	M	1768 (69 ³ / ₄)	2683 (105 ³ / ₈)	3598 (141 ³ / ₄)	4513 (177 ³ / ₈)	5428 (213 ¹ / ₈)	6800 (267 ³ / ₄)	8172 (321 ³ / ₄)	9087 (358)	11375 (447 ³ / ₄)	13662 (537 ¹ / ₈)
b	x-304 (12)	x-456 (18)	x-609 (24)	x-761 (30)	x-913 (36)	x-1141 (45)	x-1369 (54)	x-1521 (60)	x-1902 (74 ⁷ / ₈)	x-2282 (89 ¹ / ₈)	
c	x-358 (14 ¹ / ₈)	x-510 (20 ¹ / ₈)	x-662 (26 ¹ / ₈)	x-814 (32 ¹ / ₈)	x-966 (38 ¹ / ₈)	x-1195 (47 ¹ / ₈)	x-1423 (56 ¹ / ₈)	x-1575 (62 ¹ / ₈)	x-1955 (77)	x-2336 (92)	

Método de cálculo de la medida de instalación (unidad: mm)

$$a \text{ (mínimo)} = \{(SS \times 33,8585/0,907087) - 63,6124\} \times 1,025$$

$$a \text{ (máximo)} = \{(SS \times 42,5589/0,907087) - 63,3149\} \times 0,975$$

$$b = x - (SS/0,907087 \times 6,9)$$

$$c = x - (SS/0,907087 \times 6,9 + 53,5)$$



Discount-Merchant.com (800) 281-8860

THE TRUSTED SOURCE FOR PROJECTOR LAMPS AND ACCESSORIES

Ejemplo de instalación 37^{ES}

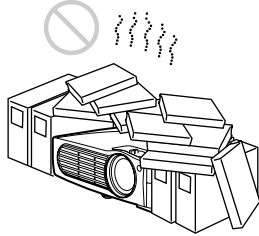
VPL-CS10/CX10
4-079-300-11 (1)

Notas sobre la instalación

Instalación inadecuada

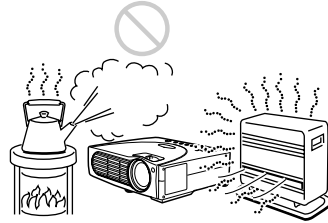
No instale el proyector en las siguientes situaciones. Estas instalaciones pueden producir fallos de funcionamiento o daños al proyector.

Ventilación escasa



- Permita una circulación de aire adecuada para evitar el recalentamiento interno. No coloque la unidad sobre superficies (alfombras, mantas, etc.) ni cerca de materiales (cortinas, tapices) que puedan bloquear los orificios de ventilación. Si se produce recalentamiento interno debido al bloqueo de los orificios, el sensor de temperatura se activará y aparecerá el mensaje "Temperatura alta! Apag. 1 min." La alimentación se desactivará automáticamente tras un minuto.
- Deje un espacio superior a 30 cm (11 7/8 pulgadas) alrededor de la unidad.
- Procure que los orificios de ventilación no aspiren, por ejemplo, trozos de papel.

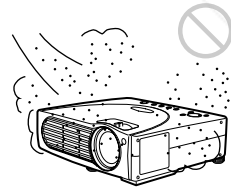
Alta humedad y calor



- Evite instalar la unidad en lugares en los que la temperatura o la humedad sea muy alta, o en los que la temperatura sea muy baja.
- Para evitar que se condense humedad, no instale la unidad en lugares en los que la temperatura pueda aumentar rápidamente.

Polvo excesivo

Evite instalar la unidad en lugares en los que haya mucho polvo; en caso contrario, el filtro de aire se obstruirá. Si el polvo bloquea el paso de aire a través del filtro, es posible que el calentamiento interno del proyector aumente. Límpielo periódicamente.

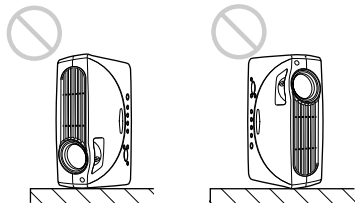


Condiciones inadecuadas

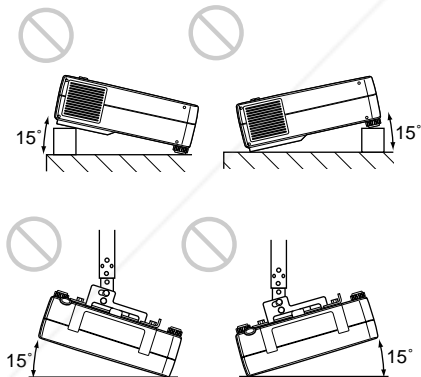
No emplee el proyector en las siguientes condiciones.

No emplee la unidad en posición vertical

Evite utilizar la unidad en posición vertical apoyada sobre su lateral. Pueden producirse fallos de funcionamiento.

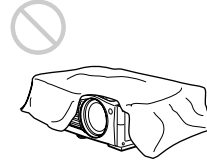


No incline la unidad superior a 15 grados



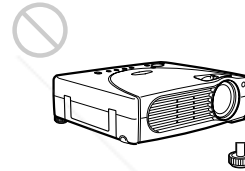
Evite utilizar la unidad con una inclinación superior a 15 grados. Esta instalación puede causar fallos de funcionamiento.

Bloqueo de los orificios de ventilación



Evite emplear algo que cubra los orificios de ventilación (exhaustación/aspiración); en caso contrario, es posible que se produzca recalentamiento interno.

Extracción de los ajustadores



Evite utilizar la unidad sin los ajustadores. El bloqueo de los orificios de ventilación (aspiración) puede causar recalentamiento interno.

Otros

Especificaciones

Características ópticas

Sistema de proyección	3 paneles LCD, 1 objetivo
Panel LCD	VPL-CS10: TFT de 0,9 pulgadas, 1.440.000 píxeles (480.000 píxeles × 3) VPL-CX10: TFT de 0,9 pulgadas con disposición de microlente, 2.359.296 píxeles (786.432 píxeles × 3)
Objetivo	Zoom de 1,3 veces f 33,6 a 42 mm/F 1,7 a 2,2
Lámpara	UHP de 132 W
Tamaño de imagen de proyección	Margen: 40 a 300 pulgadas (medida diagonal)
Salida de luz	VPL-CS10: ANSI lumen ¹⁾ 1000 lm VPL-CX10: ANSI lumen ¹⁾ 1200 lm
Distancia de proyección	VPL-CS10 (Cuando se introduce la señal SVGA) 40 pulgadas: 1468 a 1771 mm (57 ⁷ / ₈ a 69 ³ / ₄ pulgadas) 60 pulgadas: 2235 a 2688 mm (88 ¹ / ₈ a 105 ⁷ / ₈ pulgadas) 80 pulgadas: 3001 a 3604 mm (118 ³ / ₁₆ a 142 pulgadas) 100 pulgadas: 3768 a 4521 mm (148 ³ / ₈ a 178 ¹ / ₈ pulgadas) 120 pulgadas: 4534 a 5437 mm (178 ³ / ₈ a 214 ¹ / ₈ pulgadas) 150 pulgadas: 5684 a 6812 mm (213 ⁷ / ₄ a 268 ¹ / ₈ pulgadas) 180 pulgadas: 6833 a 8186 mm (269 ¹ / ₈ a 322 ³ / ₈ pulgadas) 200 pulgadas: 7600 a 9103 mm (299 ¹ / ₄ a 358 ¹ / ₂ pulgadas) 250 pulgadas: 9516 a 11394 mm (374 ³ / ₄ a 448 ³ / ₄ pulgadas) 300 pulgadas: 11432 a 13685 mm (450 ¹ / ₄ a 538 ⁷ / ₈ pulgadas) VPL-CX10 (Cuando se introduce la señal XGA) 40 pulgadas: 1465 a 1768 mm (57 ³ / ₄ a 69 ⁵ / ₈ pulgadas) 60 pulgadas: 2230 a 2683 mm (87 ⁷ / ₈ a 105 ³ / ₄ pulgadas) 80 pulgadas: 2996 a 3598 mm (118 a 141 ³ / ₄ pulgadas)

100 pulgadas: 3761 a 4513 mm (148 ¹ / ₈ a 177 ³ / ₄ pulgadas)
120 pulgadas: 4526 a 5428 mm (178 ¹ / ₄ a 213 ³ / ₄ pulgadas)
150 pulgadas: 5674 a 6800 mm (223 ¹ / ₂ a 267 ³ / ₄ pulgadas)
180 pulgadas: 6822 a 8172 mm (268 ⁵ / ₈ a 321 ⁷ / ₈ pulgadas)
200 pulgadas: 7587 a 9087 mm (298 ³ / ₄ a 357 ⁷ / ₈ pulgadas)
250 pulgadas: 9500 a 11375 mm (374 ¹ / ₈ a 448 pulgadas)
300 pulgadas: 11413 a 13662 mm (449 ¹ / ₂ a 538 pulgadas)

1) ANSI lumen es un método de medida de American National Standard IT 7.228.

Características eléctricas

Sistema de color	NTSC _{3.58} /PAL/SECAM/ NTSC _{4.43} /PAL-M/PAL-N, conmutado automática/ manualmente
Resolución	VPL-CS10: 600 líneas de TV horizontales (Entrada de vídeo) 800 × 600 puntos (Entrada RGB) VPL-CX10: 750 líneas de TV horizontales (Entrada de vídeo) 1024 × 768 puntos (Entrada RGB)
Señales de ordenador admisibles	fH: 15 a 91 kHz fV: 43 a 85 Hz
Altavoz	Sistema de altavoces estéreo, 36 mm (1 ⁷ / ₁₆ pulgadas) de diámetro, máx. 0,5 W × 2

Entrada/Salida

VIDEO IN	S VIDEO: tipo Y/C mini DIN de 4 pines (macho) Y (luminancia): 1 Vp-p ±2 dB sincronización negativa (terminación de 75 ohmios) C (crominancia): sincronización de color 0,286 Vp-p ±2 dB (NTSC) (terminación de 75 ohmios), sincronización de color 0,3 Vp- p ±2 dB (PAL) (terminación de 75 ohmios) VIDEO: tipo fonográfico Vídeo compuesto: 1 Vp-p ±2 dB sincronización negativa (terminación de 75 ohmios)
----------	---

AUDIO: Minitoma estéreo
500 mVrms, impedancia superior a 47 kilohmios

INPUT A INPUT A: HD D-sub de 15 pines (hembra)
RGB/componente analógico:
R/R-Y: 0,7 Vp-p ±2 dB (terminación de 75 ohmios)
G: 0,7 Vp-p ±2 dB (terminación de 75 ohmios)
G con sincronización/Y: 1 Vp-p ±2 dB sincronización negativa (terminación de 75 ohmios)
B/B-Y: 0,7 Vp-p ±2 dB (terminación de 75 ohmios)
SYNC/HD:
Entrada de sincronización compuesta: 1-5 Vp-p alta impedancia, positiva/negativa
Entrada de sincronización horizontal: 1-5 Vp-p alta impedancia, positiva/negativa
VD:
Entrada de sincronización vertical: 1-5 Vp-p alta impedancia, positiva/negativa

AUDIO: Minitoma estéreo
500 mVrms, impedancia superior a 47 kilohmios

MOUSE: 6 pines (hembra)
(Para más información, consulte "Asignación de pines" en la página 42.)

CONTROL S IN/PLUG IN POWER: Minitoma estéreo de 5 Vp-p, alimentación por enchufe de 5 V CC

Hub USB: Flujo de salida (tipo B: hembra) × 1
Flujo de entrada (tipo A: hembra) × 1

Normas de seguridad:
UL1950, CSA N° 950, FCC Clase B, IC Clase B
NEMKO EN60950, CE, C-Tick

Generales

Dimensiones 285 × 76 × 249,5 mm (11 1/4 × 3 × 9 7/8 pulgadas) (an/al/prf) (sin partes salientes)

Peso Aprox. 3,3 kg (7 lb 4 oz)

Requisitos de alimentación CA 100 a 240 V, 2,0-0,8A, 50/60 Hz

Consumo de energía Máx. 200 W (Modo de espera: 4,2 W)

Disipación de calor 682,5 BTU

Temperatura de funcionamiento 0°C a 35°C (32°F a 95°F)

Humedad de funcionamiento 35% a 85% (sin condensación)

Temperatura de almacenamiento -20°C a 60°C (-4°F a 140°F)

Humedad de almacenamiento 10% a 90%

Accesorios suministrados

- Mando a distancia RM-PJM10 (1)
- Pilas tamaño AA (R6) (2)
- Cable de AV (2 m) (1) (1-757-350-11)
- HD D-sub de 15 pines (2 m) (1) (1-791-992-11)
- Cable de ratón PS/2 (2 m) (1) (1-792-424-11)
- Cable USB tipo A – tipo B (1) (1-790-081-11)
- Software de aplicación (1)
- Cable de alimentación de CA (1)
- Filtro de aire (para sustitución) (1)
- Tapa del objetivo (1)
- Manual de instrucciones (1)
- Manual de instalación para proveedores (1)
- Tarjeta de referencia rápida (1)
- Folleto de garantía (1)

El diseño y las especificaciones están sujetos a cambios sin previo aviso.

Accesorios opcionales

Lámpara de proyector LMP-C132 (para sustitución)

Cable de señales SMF-402 (HD D-sub de 15 pines (macho) ↔ 3 × tipo fonográfico (macho))

Cable de monitor SMF-410 (HD D-sub de 15 pines (macho) ↔ HD D-sub de 15 pines (macho))

Adaptador de señales ADP-20 (Macintosh ↔ HD D-sub de 15 pines)

Pantallas Pantalla Portátil de 50 pulgadas VPS-50C¹⁾
Pantalla plana de 100 pulgadas VPS-100FH

Algunos artículos pueden no estar disponibles en ciertas zonas. Para más información, consulte con el centro Sony más próximo.

1) La Pantalla VPS-50C puede no estar disponible en ciertas zonas. Para más información, consulte con el centro Sony más próximo.

Otros



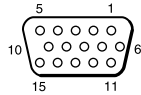
Discount-Merchant.com (800) 281-8860
THE TRUSTED SOURCE FOR PROJECTOR LAMPS AND ACCESSORIES

Especificaciones | 41^{ES}

VPL-CS10/CX10
4-079-300-11 (1)

Asignación de pines

Conector INPUT A (HD D-sub de 15 pines, hembra)



1	R/R-Y	9	N.C.
2	G/Y	10	GND
3	B/B-Y	11	GND
4	GND	12	N.C.
5	GND	13	HD/C.Sync
6	GND (R)	14	VD
7	GND (G)	15	N.C.
8	GND (B)		

Conector MOUSE (6 pines, hembra)



1	DATA
2	N.C.
3	GND
4	+5V
5	CLK
6	N.C.

Señales de entrada y elementos ajustables/de ajuste

Menú CTRL IMAGEN

Elemento	Señal de entrada			
	Vídeo o S vídeo (Y/C)	Componente	RVA	B&N
CONTRASTE	●	●	●	●
BRILLO	●	●	●	●
COLOR	●	●	-	-
TONALIDAD	● (sólo NTSC 3.58/4.43)	-	-	-
NITIDEZ	●	●	-	●
IMAG DI	●	●	-	●
MODO GAMMA	-	-	●	-
TEMP COLOR	●	●	●	●
SIST COLOR	●	-	-	●

● : Ajustable/puede ajustarse
- : No ajustable/no puede ajustarse

Menú AJUS ENTRAD

Elemento	Señal de entrada			
	Vídeo o S vídeo (Y/C)	Componente	RVA	B&N
FASE PUNTO	-	-	●	-
TAMANO	-	-	●	-
DESPLAZ	-	-	●	-
CONV EXPLO	-	-	●	-
ASPECTO	●	●	-	●

● : Ajustable/puede ajustarse
- : No ajustable/no puede ajustarse

Señales predefinidas

Nº de memoria	Señal predefinida		fH (kHz)	fV (Hz)	Sincronización	TAMANO
1	Vídeo 60 Hz		15.734	59.940	/	/
2	Vídeo 50 Hz		15.625	50.000		
3	RGB de 15k/Componente 60 Hz		15.734	59.940		
4	RGB de 15k/Componente 50 Hz		15.625	50.000		
6	640 × 350	Modo VGA 1	31.469	70.086	H-pos, V-neg	800
7		VGA VESA 85 Hz	37.861	85.080	H-pos, V-neg	832
8	640 × 400	PC-9801 Normal	24.823	56.416	H-neg, V-neg	848
9		Modo VGA 2	31.469	70.086	H-neg, V-pos	800
10		VGA VESA 85 Hz	37.861	85.080	H-neg, V-pos	832
11	640 × 480	Modo VGA 3	31.469	59.940	H-neg, V-neg	800
12		Macintosh 13"	35.000	66.667	H-neg, V-neg	864
13		VGA VESA 72 Hz	37.861	72.809	H-neg, V-neg	832
14		VGA VESA 75 Hz	37.500	75.000	H-neg V-neg	840
15		VGA VESA 85 Hz	43.269	85.008	H-neg V-neg	832
16	800 × 600	SVGA VESA 56 Hz	35.156	56.250	H-pos, V-pos	1024
17		SVGA VESA 60 Hz	37.879	60.317	H-pos, V-pos	1056
18		SVGA VESA 72 Hz	48.077	72.188	H-pos, V-pos	1040
19		SVGA VESA 75 Hz	46.875	75.000	H-pos, V-pos	1056
20		SVGA VESA 85 Hz	53.674	85.061	H-pos, V-pos	1048
21	832 × 624	Macintosh 16"	49.724	74.550	H-neg, V-neg	1152
22	1024 × 768	XGA VESA 43 Hz	35.522	43.479	H-pos, V-pos	1264
23		XGA VESA 60 Hz	48.363	60.004	H-neg V-neg	1344
24		XGA VESA 70 Hz	56.476	70.069	H-neg V-neg	1328
25		XGA VESA 75 Hz	60.023	75.029	H-pos, V-pos	1312
26		XGA VESA 85 Hz	68.677	84.997	H-pos, V-pos	1376
27	1152 × 864	SXGA VESA 70 Hz	63.995	70.016	H-pos, V-pos	1472
28		SXGA VESA 75 Hz	67.500	75.000	H-pos, V-pos	1600
29		SXGA VESA 85 Hz	77.487	85.057	H-pos, V-pos	1568
30	1152 × 900	Sunmicro LO	61.795	65.960	H-neg, V-neg	1504
31		Sunmicro HI	71.713	76.047	H-neg, V-neg	1472

=====
Otros



Discount-Merchant.com (800) 281-8860
THE TRUSTED SOURCE FOR PROJECTOR LAMPS AND ACCESSORIES

Nº de memoria	Señal predefinida		fH (kHz)	fV (Hz)	Sincronización	TAMANO
32	1280 × 960	SXGA VESA 60 Hz	60.000	60.000	H-pos, V-pos	1800
33		SXGA VESA 75 Hz	75.000	75.000	H-pos, V-pos	1728
34	1280 × 1024	SXGA VESA 43 Hz	46.433	43.436	H-pos, V-pos	1696
35		SXI-5	53.316	50.062	S en G	1680
36		SXGA VESA 60 Hz	63.974	60.013	H-pos, V-pos	1696
37		SXGA VESA 75 Hz	79.976	75.025	H-pos, V-pos	1688
38		SXGA VESA 85 Hz	91.146	85.024	H-pos, V-pos	1012 (VPL-CS10)
						1296 (VPL-CX10)

Nota

Si se introduce una señal que no sea una de las predefinidas mostradas anteriormente, la imagen puede no aparecer correctamente.

Advertencia sobre la conexión de la alimentación

Utilice un cable de alimentación adecuado al suministro eléctrico local.

	Estados Unidos, Canadá		Europa continental	Reino Unido, Irlanda, Australia, Nueva Zelanda	Japón
Tipo de enchufe	VM0233	290B	YP-12A	— 1)	YP332
Extremo hembra	VM0089	386A	YC-13B	VM0310B	YC-13
Tipo de cable	SJT	SJT	H05VV-F	N13237/CO-228	VCTF
Corriente y tensión nominal	10A/125V	10A/125V	10A/250V	10A/250V	7A/125V
Aprobación de seguridad	UL/CSA	UL/CSA	VDE	VDE	DENTORI

Nota

1) Utilice un enchufe de valor nominal adecuado que cumpla con las regulaciones locales.

Índice

A

Accesorios opcionales	41
Accesorios suministrados	41
AHORRO ENERGIA	9, 28
Ajustador	7
Ajuste de la imagen	21, 25
memoria de los ajustes	24
tamaño/desplazamiento de la imagen	26
Alimentación activación	20
Asa de transporte	8
Asignación de pines	42
ASPECTO	27

B

BRILLO	25
--------	----

C

Cable de ratón asignación de pines	42
conexión	16
COLOR	25
Conector de ratón asignación de pines	42
Conector INPUT A	10
asignación de pines	42
Conector USB	10, 15
Conexiones equipo componente	16
ordenador	14
Videgrabadora	16
CONTADOR LAMPARA	28
CONTRASTE	25
CONV EXPLO (Convertidor de exploración)	27

D

DESPLAZ	26
Detector de control remoto ajuste	28

frontal	7
posterior	7
DI TRA DIG MEM	28
DIST TRAP DIGIT	28

E

Ejemplo de instalación condiciones inadecuadas	38
Instalación en el suelo	36
notas	38
ENTRAD A	28
Especificaciones	40
ESTADO (indicación en pantalla)	28

F

FASE PUNTO	26
Filtro de aire	30
Función de zoom digital	23

I

IDIOMA selección del idioma del menú	18
IMAG DI (Dinámica)	25
Instalación del proyector	13
INSTALLATION	28

M

Mando a distancia instalación de las pilas	12
ubicación y función de los controles	11
Mensaje aviso	34
precaución	35
Menú desactivación de la pantalla de menú	24
Menú AJUS ENTRAD	26
Menú AJUSTE	28
Menú CTRL IMAGEN	25
uso del menú	24
Menú AJUS ENTRAD	26

Menú AJUSTE	28
Menú CTRL IMAGEN	25
MODO GAMMA	25

N

NITIDEZ	25
---------	----

O

Orificios de ventilación aspiración	7
exhaustación	7

P

Pila instalación	12
notas	12
Precauciones	4

R

RECEPTOR SIRCS	7, 28
Restauración elementos que pueden reajustarse	24
reajuste del elemento	24

S

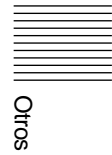
SIST (Sistema) COLOR	25
Solución de problemas	32
Sustitución de la lámpara	29

T

TAMANO	26
Tamaño de la pantalla	13, 37, 40
TEMP COLOR	25
TONALIDAD	25

U

Ubicación y función de los controles lateral frontal/izquierdo	7
Mando a distancia	11
panel de conectores	10
panel de control	9
parte posterior/lateral derecho/parte inferior	7



Otros



Discount-Merchant.com (800) 281-8860
THE TRUSTED SOURCE FOR PROJECTOR LAMPS AND ACCESSORIES

^{ES} 46 | indice

VPL-CS10/CX10
4-079-300-11 (1)



Discount-Merchant.com (800) 281-8860
THE TRUSTED SOURCE FOR PROJECTOR LAMPS AND ACCESSORIES

VPL-CS10/CX10
4-079-300-11 (1)



Sony **on** line <http://www.world.sony.com/>

Discount-Merchant.com (800) 281-8860
THE TRUSTED SOURCE FOR PROJECTOR LAMPS AND ACCESSORIES

Sony Corporation Printed in Japan Printed on recycled paper

VPL-CS10/CX10
4-079-300-11 (1)



Disclaimer

This user manual is provided as a free service by FixYourDLP.com. FixYourDLP is in no way responsible for the content of this manual, nor do we guarantee its accuracy. FixYourDLP does not make any claim of copyright and all copyrights remain the property of their respective owners.

About FixYourDLP.com

FixYourDLP.com (<http://www.fixyourdpl.com>) is the World's #1 resource for media product news, reviews, do-it-yourself guides, and manuals.

Informational Blog: <http://www.fixyourdpl.com>

Video Guides: <http://www.fixyourdpl.com/guides>

User Forums: <http://www.fixyourdpl.com/forum>

FixYourDLP's Fight Against Counterfeit Lamps:

<http://www.fixyourdpl.com/counterfeits>

Sponsors:

RecycleYourLamp.org – Free lamp recycling services for used lamps:

<http://www.recycleyourlamp.org>

Lamp Research - The trusted 3rd party lamp research company:

<http://www.lampresearch.com>

Discount-Merchant.com – The worlds largest lamp distributor:

<http://www.discount-merchant.com>



FixYourDLP.com

Sponsored by 