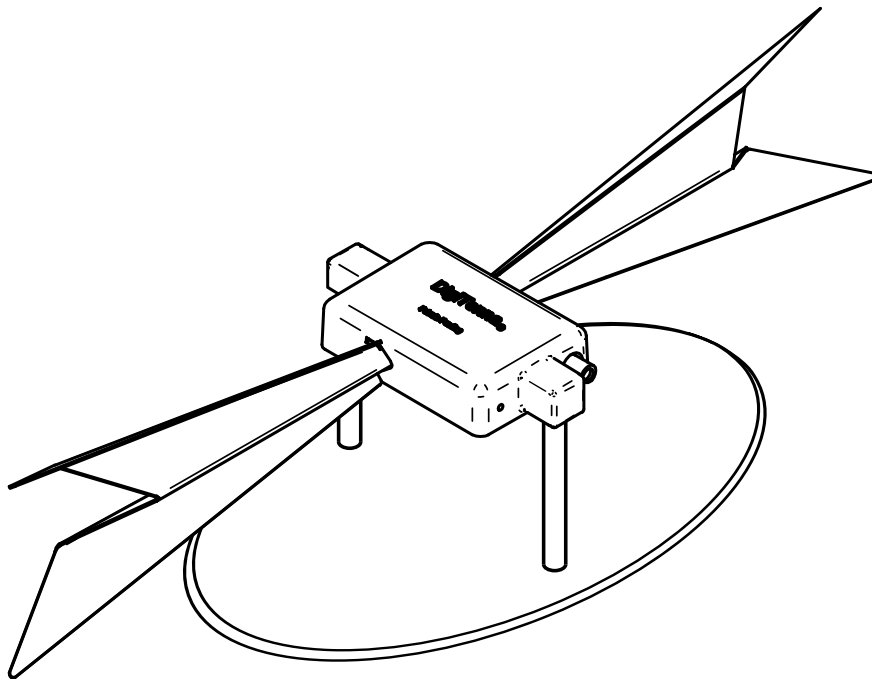




Digital Antenna
DUV-Indoor Model
Model No. DUV[®]-IN



Specifications:

Length: 7"

Width: 21"

Height: 5.5"

Net weight: .75 lbs

Shipping weight (assy. required):
1.75 lbs

Shipping package (assy. required):
22"L X 10.25"W X 4.5"D

U.S. Patent 7,626,557

Patents pending on
all DUV models.

All antennas proudly made in the USA

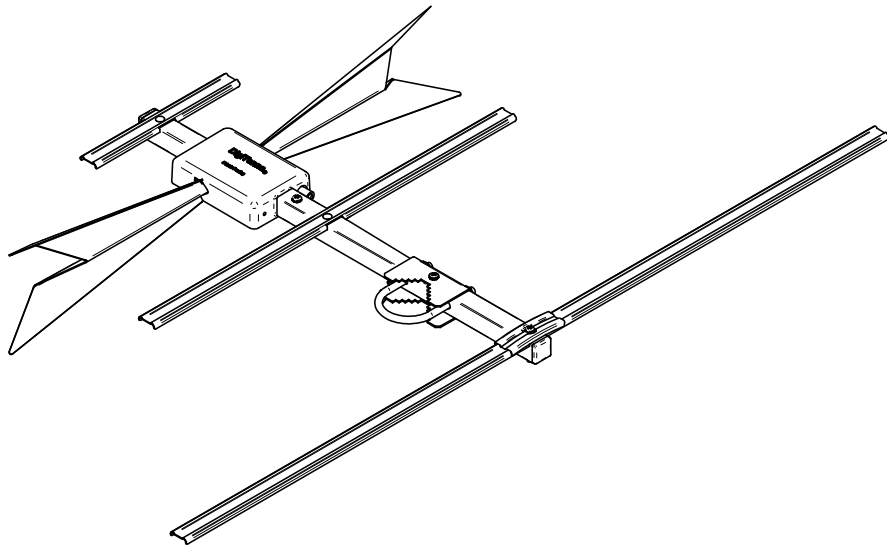
Range: 0 to 15+ miles based on flat open terrain with no obstructions at 30 ft.

GAIN	CH-7	CH-10	CH-13	CH-14	CH-27	CH-39	CH-51
db over reference dipole	-1.8	0.0	0.0	0.0	0.0	0.2	-0.2

Actual production models were measured in Georgia Tech. Research Institute's Anechoic Chamber using standard antenna measurement techniques in IEEE Standard Test Procedures (IEEE Std 149-1979)



Digital Antenna
DUV-Metro Model
Model No. DUV[®]-M



Specifications:

Length: **18.5"**

Width: **33"**

Height: **4.25"**

Net weight: **1.2 lbs**

Shipping weight (assembled):
4.6 lbs

Shipping package (assembled):
27"L X 23"W X 5.5"D

Shipping weight (assy. required):
2.5 lbs

Shipping package (assy. required):
6"L X 6"W X 30"D



U.S. Patent 7,626,557

Patents pending on
all DUV models.

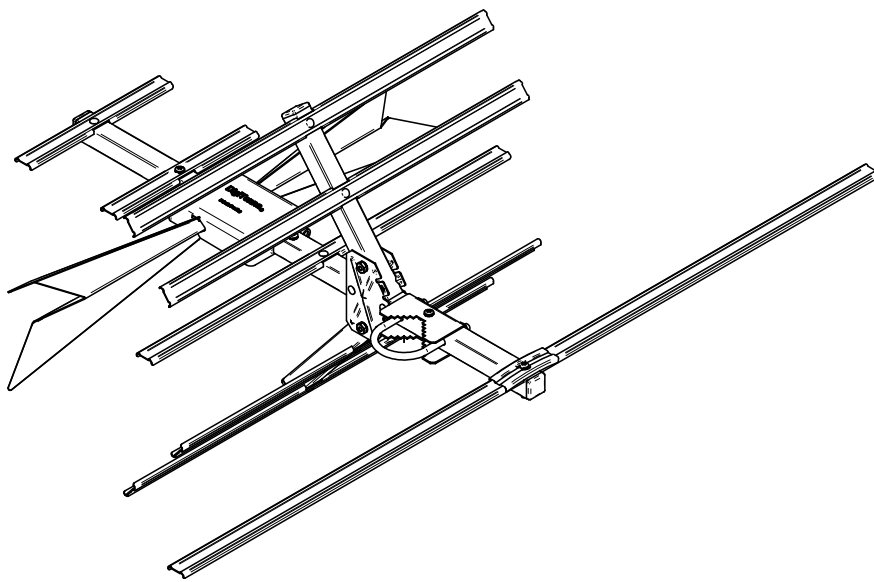
All antennas proudly made in the USA

Range: 0 to 25+ miles based on flat open terrain with no obstructions at 30 ft.

GAIN	CH-7	CH-10	CH-13	CH-14	CH-27	CH-39	CH-51
db over reference dipole	4.2	4.9	3.0	4.8	4.8	4.3	5.5
front to back ratio	16.4	11.7	8.6	9.0	9.8	12.6	14.5

Actual production models were measured in Georgia Tech. Research Institute's Anechoic Chamber using standard antenna measurement techniques in IEEE Standard Test Procedures (IEEE Std 149-1979)

Digital Antenna
DUV-Suburban Model
Model No. DUV[®]-S



Specifications:

Length: **21.7"**

Width: **33"**

Height: **11.8"**

Net weight: **1.8 lbs**

Shipping weight (assembled):
5.2 lbs

Shipping package (assembled):
27"L X 23"W X 5.5"D

Shipping weight (assy. required):
3.2 lbs

Shipping package (assy. required):
6"L X 6"W X 30"D



U.S. Patent 7,626,557

Patents pending on
all DUV models.

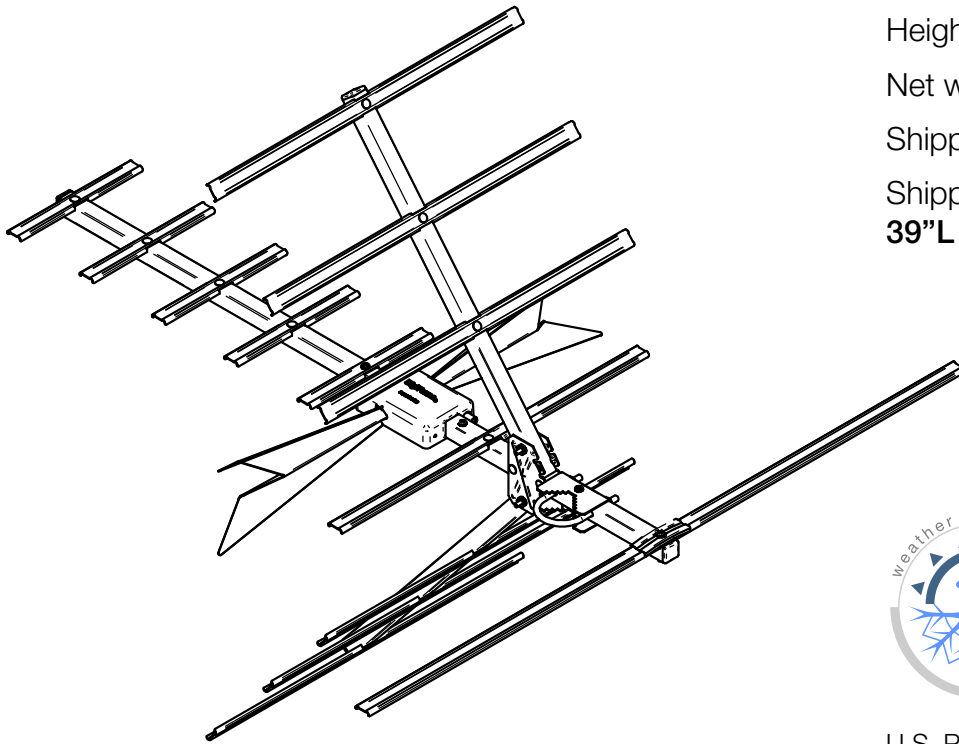
All antennas proudly made in the USA

Range: 0 to 35+ miles based on flat open terrain with no obstructions at 30 ft.

GAIN	CH-7	CH-10	CH-13	CH-14	CH-27	CH-39	CH-51
db over reference dipole	4.0	4.7	3.0	6.7	7.2	6.4	6.6
front to back ratio	16.2	11.9	8.8	13.2	15.2	14.3	13.2

Actual production models were measured in Georgia Tech. Research Institute's Anechoic Chamber using standard antenna measurement techniques in IEEE Standard Test Procedures (IEEE Std 149-1979)

Digital Antenna
DUV-Fringe Model
Model No. DUV[®]-F



Specifications:

- Length: **34"**
- Width: **33"**
- Height: **27"**
- Net weight: **2.5 lbs**
- Shipping weight: **7.4 lbs**
- Shipping package:
39"L X 24"W X 4.75"D



U.S. Patent 7,626,557
Patents pending on
all DUV models.

All antennas proudly made in the USA

Range: 0 to 45+ miles based on flat open terrain with no obstructions at 30 ft.

GAIN	CH-7	CH-10	CH-13	CH-14	CH-27	CH-39	CH-51
db over reference dipole	2.5	3.8	2.4	8.9	8.7	9.8	10.3
front to back ratio	14.6	11.7	9.5	20.2	26.7	20.4	20.8

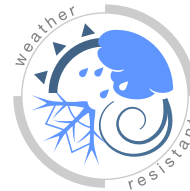
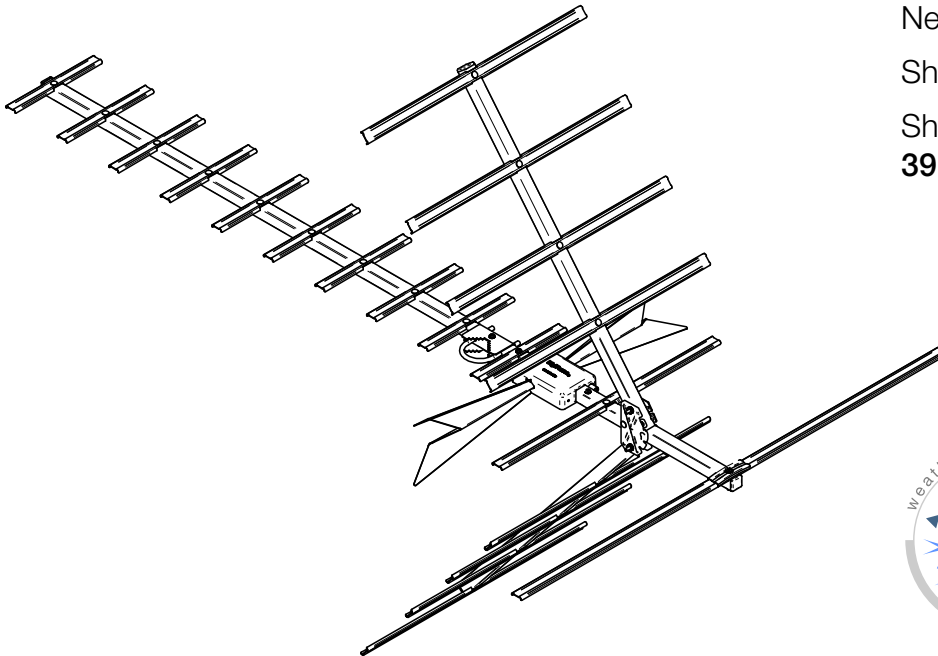
Actual production models were measured in Georgia Tech. Research Institute's Anechoic Chamber using standard antenna measurement techniques in IEEE Standard Test Procedures (IEEE Std 149-1979)



Digital Antenna
DUV-Deep Fringe Model
Model No. DUV[®]-DF

Specifications:

- Length: **53.5"**
- Width: **33"**
- Height: **35.5"**
- Net weight: **3.2 lbs**
- Shipping weight: **8 lbs**
- Shipping package:
39"L X 24"W X 4.75"D



U.S. Patent 7,626,557
Patents pending on
all DUV models.

All antennas proudly made in the USA

Range: 0 to 55+ miles based on flat open terrain with no obstructions at 30 ft.

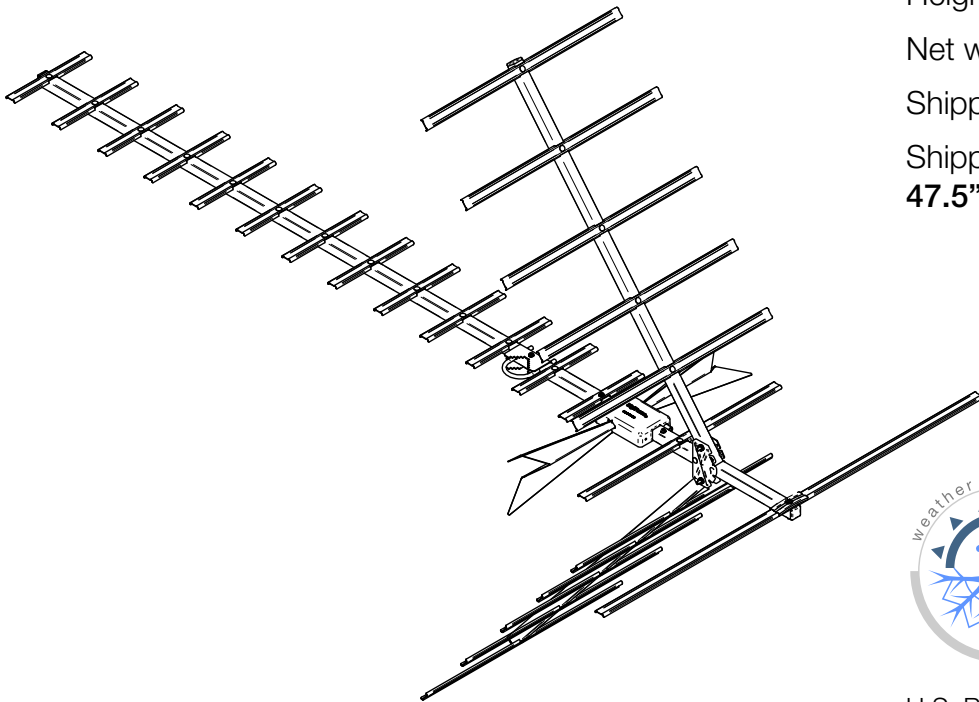
GAIN	CH-7	CH-10	CH-13	CH-14	CH-27	CH-39	CH-51
db over reference dipole	2.5	3.8	2.4	9.9	10.0	11.5	10.7
front to back ratio	14.6	11.7	9.5	26.1	24.9	22.1	18.8

Actual production models were measured in Georgia Tech. Research Institute's Anechoic Chamber using standard antenna measurement techniques in IEEE Standard Test Procedures (IEEE Std 149-1979)

Digital Antenna
DUV-Extreme Fringe Model
Model No. DUV[®]-XF

Specifications:

- Length: **66"**
- Width: **33"**
- Height: **43.5"**
- Net weight: **3.5 lbs**
- Shipping weight: **9 lbs**
- Shipping package:
47.5"L X 24.5"W X 7"D



U.S. Patent 7,626,557
Patents pending on
all DUV models.

All antennas proudly made in the USA

Range: 0 to 65+ miles based on flat open terrain with no obstructions at 30 ft.

GAIN	CH-7	CH-10	CH-13	CH-14	CH-27	CH-39	CH-51
db over reference dipole	2.5	3.8	2.4	11.3	12.6	13.5	11.9
front to back ratio	14.6	11.7	9.5	27.7	26.7	23.5	20.7

Actual production models were measured in Georgia Tech. Research Institute's Anechoic Chamber using standard antenna measurement techniques in IEEE Standard Test Procedures (IEEE Std 149-1979)